

WS075L

Quadris 12W LED Decorative Metal Wet Location Wall Sconce

Specifications/Features

Housing

LED Wall sconce blends the perfect size and illumination for hallways, reception areas or individual rooms and offices.

Metal faceplate over an acrylic diffuser provides a soft, luminous glow while illuminating the surrounding wall. Ideal for low glare applications.

Select from seven different faceplate designs in Antique Bronze, Black, Silver or White finishes.

ADA compliant for use throughout your building space.

Sconce measures 9-3/8"W x 10-1/4"H x 3-7/8"D.

Plastic housing fitted with rubber seal for indoor and outdoor use
Custom faceplate designs available; consult factory.

Lamp/Electrical

The 12W LED sconce includes (70) LEDs

CCT: 3000K, CRI: 83 typical, Total Lumens: 800

Dimming

Triac Dimming Driver 120VAC, 50/60 Hz

0-10V Dimming Driver 120/277VAC, 50/60 Hz

Mounting

Hardware included for mounting of fixtures to octagonal or rectangular switch junction box.

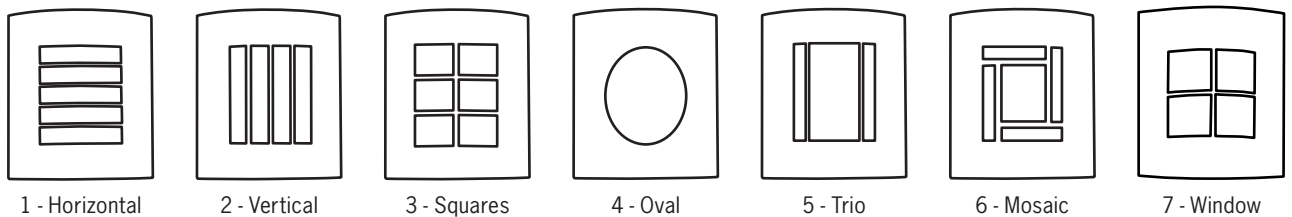
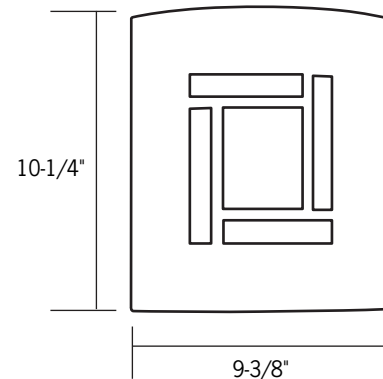
Warranty

This complete fixture is covered by ConTech's full five (5) year replacement guarantee after date of purchase.

Listing

cCSAus Certified to UL standards

Suitable for wet locations.



Ordering Information

Example Order: -

Fixture	Color Temp	Voltage/Dimming	Faceplate Design	Finish
<input type="text"/>	<input type="text"/>	<input type="text"/>	<input type="text"/>	<input type="text"/>

WS075L

30K - 3000K

12D1 - 120V Triac/ELV Dimming
MVD2 - 120V-277V 0-10V Dimming

1 - Horizontal
2 - Vertical
3 - Squares
4 - Oval
5 - Trio
6 - Mosaic
7 - Window

AB* - Antique Bronze
B - Black
S - Silver
W - White

**AB Finish not recommended for outdoor applications*

WS075L

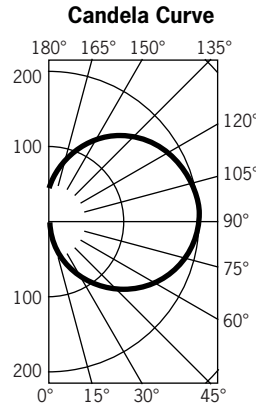
Quadris 12W LED Decorative Metal Wet Location Wall Sconce

Photometrics

WS075L30K: 12W Quadris Wall Sconce, No Faceplate

Designed for 50,000 Hour Lamp Life*

Light Output (Fixture Delivered Lumens): 884.47
Total Watts@120V: 11.5
Lumens Per Watt: 76.9



Candlepower Summary

FROM 0	CANDELA	LUMENS
0	3.6	0
5	4.9	0
15	9.0	1
25	13.5	2
35	18.0	3
45	22.1	5
55	25.4	6
65	28.3	7
75	30.4	8
85	31.5	9
95	31.4	9

Coefficients of Utilization

RC RW	80%		70%		50%	
	50%	30%	50%	30%	50%	30%
0	34	34	31	31	26	26
1	28	26	25	23	20	19
2	23	21	21	19	17	15
3	20	17	18	15	14	12
4	17	14	16	13	12	10
5	15	12	14	11	11	9
6	13	10	12	10	10	8
7	12	9	11	8	9	7
8	11	8	10	7	8	6
9	10	7	9	6	7	5
10	9	6	8	6	6	5

1. Accuracy of rendering colors
2. Color appearance of light source

*Dependent on surrounding temperatures

Dimming

Compatible with most Electronic Low Voltage and Triac (Incandescent) Dimmers

Electronic Low Voltage (ELV)

Lutron Faedra
Lutron NovaT
Leviton Acenti

Triac (Incandescent)

Lutron Skylark
Lutron Maestro
Leviton True Torch
Leviton SureSlide
Leviton Illumitech
Cooper Aspire
Leviton Trimatron