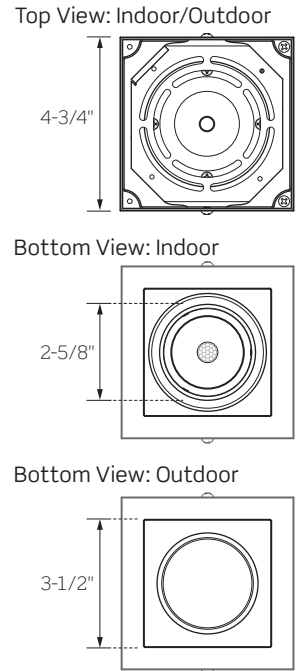
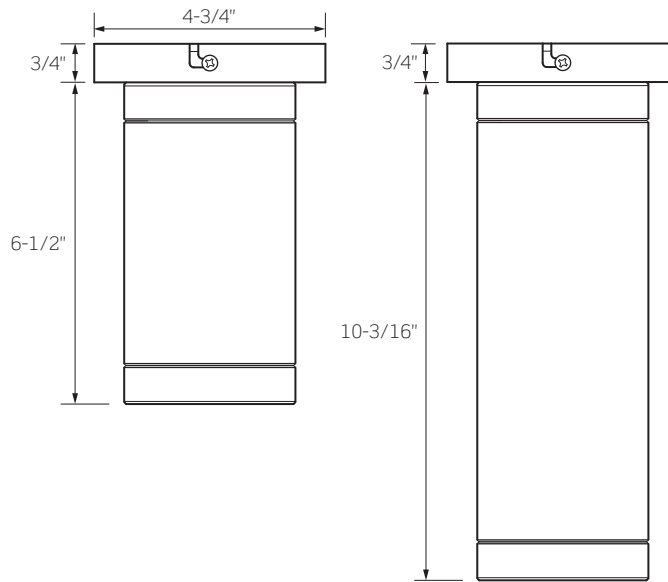


DATE

PROJECT

TYPE

SQL3 SERIES | 3-1/2 Inch Indoor/Outdoor Square Cylinders: Ceiling Mount



| | SQL3S1/SQL3T1 | SQL3S2/SQL3T2 | SQL3S3/SQL3T3 |
|---------------------------|---|---------------|---------------|
| WATTAGE | 10W | 14W | 20W |
| LUMEN OUTPUT ¹ | 1100Lm | 1400Lm | 1800Lm |
| COLOR TEMPERATURE | 2700K / 3000K / 3500K / 4000K | | |
| CRI | 83 (80min) / 90+ | | |
| BEAM | 12° Spot / 28° Medium / 39° Flood / 65° Wide Flood / Wall Wash | | |
| LUMINAIRE HEIGHT | 6-1/2 Inches / 10-3/16 Inches | | |
| FINISHES | Matte Black / Satin Bronze / Matte White / Matte Silver / Custom Colors Available | | |
| DRIVER INPUT WATTAGE | 10W | 14W | 20W |
| DRIVER INPUT VOLTAGE | 120V – 277V Dimming, 50/60Hz | | |
| DIMMING TYPE | 120V TRIAC/ELV 120V Forward Phase Only 120V – 277V 0-10V Lutron HiLume EcoSystem | | |
| LISTINGS | cCSAus Certified for use in the U.S. and Canada; Suitable for Damp/Dry or Wet locations ENERGY STAR® Certified Wet Location Cylinders feature a Silicone Sealed Clear Glass Lens in a Gasketed Die-Cast Trim Ring to ensure unit is watertight IP65 Rating for Wet Location Models Cylinders must be installed per specific product installation instructions and all appropriate NEC Codes | | |
| WARRANTY | Five (5) year replacement after date of purchase | | |
| SYSTEM RATING | 50,000 Hours @ 70% Lumen Maintenance | | |

1. Approximate lumen output based on 3000K performance; see photometric test results for additional information

DATE

PROJECT

TYPE

SQL3 SERIES | 3-1/2 Inch Indoor/Outdoor Square Cylinders: Ceiling Mount

ORDERING INFORMATION

Example Order: - -

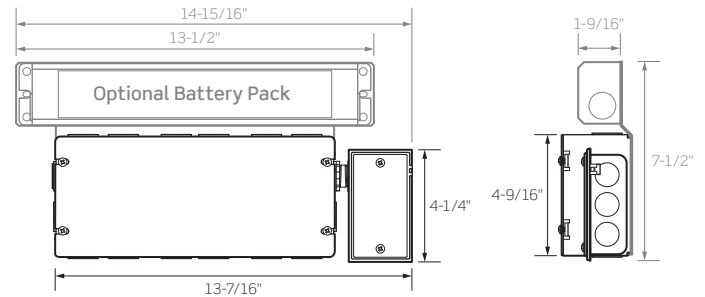
| Cyl. Height | LED Series | Color Temp/CRI | Driver/Dimming | Mounting | Mntg Location | Beam |
|-------------------------------------|--------------------------|---|---|--------------------------|--|--|
| SQL3S¹ - 6-1/2 in | 1 - 10W 1100lm | 83 (80min) CRI 27K - 2700K 30K - 3000K | 12D1 - 120V TRIAC/ELV 12D3² - Lutron HiLume 1%, 2-Wire LED Driver (120V Forward Phase Only) | C - Ceiling Mount | - Interior Dry/Damp Locations, Leave Blank | S - 12° Spot M - 28° Medium F - 36° Flood |
| SQL3T - 10-3/16 in | 2 - 14W 1400lm | 35K - 3500K 40K - 4000K | MVD2 - 120V-277V 0-10V Dimming | | X - Exterior Wet Locations | WF - 65° Wide Flood |
| | 3 - 20W 1800lm | 90+ CRI 27KC - 2700K 30KC - 3000K 35KC - 3500K 40KC - 4000K | MVD4² - Lutron HiLume 1%, EcoSystem LED Driver Soft-On, Fade-to-Black | | | WW³ - Wall Wash |

Finish

- B** - Matte Black
- BZ** - Satin Bronze
- P** - Matte White
- S** - Matte Silver
- CC⁴** - Custom Color

Battery and Remote Enclosure⁵

- None, Leave Blank
- RDB** - Remote Driver & Battery Pack
- RD** - Remote Driver Enclosure



1. 10W Short Series (SQL3S1) luminaires are not available with MVD2 Drivers
2. Lutron HiLume Drivers must use Remote Driver Enclosure (RD Option)
3. Wall Wash Optic (WW) is not field interchangeable with Spot, Medium, Flood and Wide Flood Optics
4. Custom Color finishes available; consult factory for pricing, minimum order quantities and lead time
5. RD and RDB Options must be installed in Dry/Damp Locations

RDB: Remote Driver & Battery Pack
Battery Flexible Conduit Whips Not Pictured
RD: Remote Driver Enclosure

ACCESSORY ORDERING INFORMATION

Replacement Optics

- 2INOPTIC-S** - 12° Spot Beam
- 2INOPTIC-M** - 28° Medium Beam
- 2INOPTIC-F** - 36° Flood Beam
- 2INOPTIC-WF** - 65° Wide Flood Beam

Spot (S), Medium (M), Flood (F) and Wide Flood (WF) Optics are not interchangeable with the Wall Wash (WW) option

Accessories

- FA-47** - Accessory Holder
- FA-16 60MM** - 2-3/8 Inch Diameter Black Honeycomb Louver; Requires FA-47 Accessory Holder
- LF16-* 60MM** - 2-3/8 Inch Diameter Tempered Glass Lenses and Filters: 1/8 Inch Thick, typical; requires FA-47 Accessory Holder

*Color/Pattern Legend

- 73** (Spread Lens), **-LS** (Linear Spread Lens), **-SL** (Soft Light), **-SOL** (Solite), **-UV** (Optivex UV Filter), **-A** (Amber), **-B** (Blue), **-CL** (Clear), **-DPE** (Dichroic Peach), **-G** (Green), **-LB** (Light Blue), **-R** (Red), **-RO** (Rose), **-Y** (Yellow)

DATE

PROJECT

TYPE

SQL3 SERIES | 3-1/2 Inch Indoor/Outdoor Square Cylinders: Ceiling Mount

PRODUCT DETAILS

Construction

- Specification Grade 3-1/2 inch square Aluminum Housing for indoor and outdoor applications
- Available in 6-1/2 and 10-3/16 inch heights with a 4-3/4 inch square Mounting Canopy
- Suitable for Dry/Damp (indoor) or Wet (outdoor) location types
- Wet Location Cylinders feature a Silicone Sealed Clear Glass Lens in a Gasketed Die-Cast Trim Ring to ensure unit is watertight
- Hang support for hands-free wiring

Performance Summary

- Available in 12° Spot, 28° Medium, 39° Flood and 65° Wide Flood Beam Distributions, as well as a Wall Wash option
- Wall Wash Optic may be rotated 360° to aim distribution pattern
- Optics have been optically engineered to provide a smooth uniform beam, maximizing output and minimizing glare
- Optics can be easily changed in the field for optimal flexibility; Wall Wash Optic (WW) is not field interchangeable with Spot, Medium, Flood or Wide Flood Optics
- 2700K, 3000K, 3500K and 4000K Color Temperatures with a CRI of 80 min., 83 typical; high CRI of 90+ available
- Excellent fixture-to-fixture color consistency within a 3-step MacAdam Ellipse tolerance
- Battery Backup option provides 90 minutes of power
- UL8750 and Class 2 compliant: RoHS compliant, U.S. only
- Output over voltage, over current and short circuit protected
- SQL3 Cylinders are available for non-dimming and dimming applications; for dimmer compatibility, refer to Dimming Specification sheet

DATE

PROJECT

TYPE

SQL3 SERIES | 3-1/2 Inch Indoor/Outdoor Square Cylinders

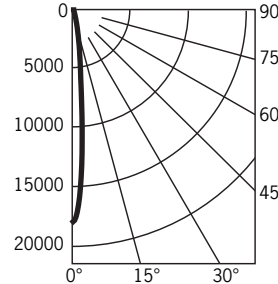
SQL3S330K12D1CS

Fixture Delivered Lumens: 1572.35
 Total Watts@120V: 20.5
 Lumens Per Watt: 76.7
 Center Beam Candle Power: 18447
 Beam Distribution: 12.3°
 Spacing Criterion: 0.24
 Color Rendering Index (CRI)¹: 83
 Color Temperature (CCT)²: 3107K
 Designed for 50,000 Hour Lamp Life³
 LM-63 Test No. G20012901
 LM-79 Test No. S20013101

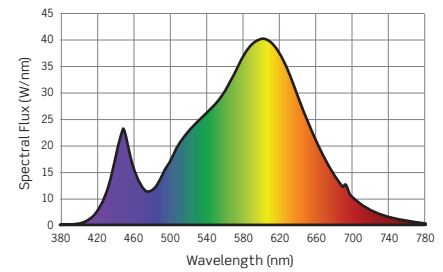
Intensity Distribution

| DISTANCE (FT.) | FOOTCANDLES (FC) | BEAM DIAMETER (FT.) |
|----------------|------------------|---------------------|
| 4' | 1152.9 | 0.9 |
| 6' | 512.4 | 1.3 |
| 8' | 288.2 | 1.7 |
| 10' | 184.5 | 2.2 |
| 12' | 128.1 | 2.6 |
| 14' | 94.1 | 3.0 |

Candela Curve



Spectral Power Distribution Chart⁴



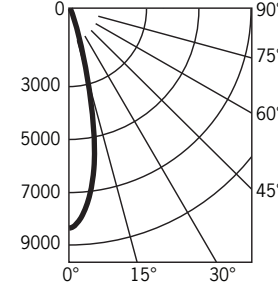
SQL3S330K12D1CM

Fixture Delivered Lumens: 2068.13
 Total Watts@120V: 20.5
 Lumens Per Watt: 100.9
 Center Beam Candle Power: 8383
 Beam Distribution: 28.7°
 Spacing Criterion: 0.47
 Color Rendering Index (CRI)¹: 83
 Color Temperature (CCT)²: 3107K
 Designed for 50,000 Hour Lamp Life³
 LM-63 Test No. G20012803
 LM-79 Test No. S20013101

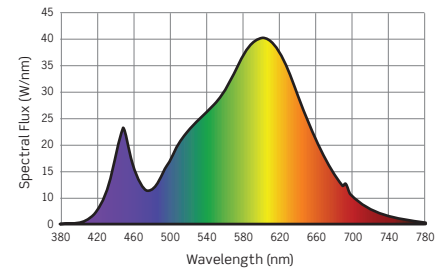
Intensity Distribution

| DISTANCE (FT.) | FOOTCANDLES (FC) | BEAM DIAMETER (FT.) |
|----------------|------------------|---------------------|
| 4' | 523.9 | 2.1 |
| 6' | 232.9 | 3.1 |
| 8' | 131.0 | 4.1 |
| 10' | 83.8 | 5.1 |
| 12' | 58.2 | 6.1 |
| 14' | 42.8 | 7.2 |

Candela Curve



Spectral Power Distribution Chart⁴



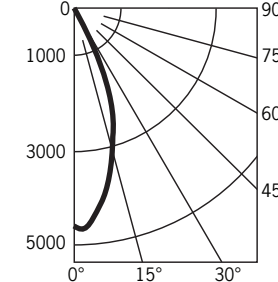
SQL3S330K12D1CF

Fixture Delivered Lumens: 2041.0
 Total Watts@120V: 20.5
 Lumens Per Watt: 99.6
 Center Beam Candle Power: 4582
 Beam Distribution: 40.5°
 Spacing Criterion: 0.64
 Color Rendering Index (CRI)¹: 83
 Color Temperature (CCT)²: 3107K
 Designed for 50,000 Hour Lamp Life³
 LM-63 Test No. G20012802
 LM-79 Test No. S20013101

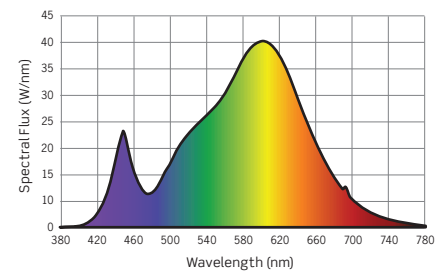
Intensity Distribution

| DISTANCE (FT.) | FOOTCANDLES (FC) | BEAM DIAMETER (FT.) |
|----------------|------------------|---------------------|
| 4' | 286.4 | 3.0 |
| 6' | 127.3 | 4.4 |
| 8' | 71.6 | 5.9 |
| 10' | 45.8 | 7.4 |
| 12' | 31.8 | 8.9 |
| 14' | 23.4 | 10.3 |

Candela Curve



Spectral Power Distribution Chart⁴



1. Accuracy of Rendering Colors 2. Color Appearance of Light Source 3. Dependent on Surrounding Temperatures 4. Colors Present within the Light Source

PHOTOMETRIC MULTIPLICATION FACTORS

Lumen output values fluctuate based on CCT. To estimate lumen output of the various CCT/CRI options, multiply 3000K (80 CRI min) results by the following:

| CCT | CCT MULTIPLIERS | | OUTPUT MULTIPLIERS | | |
|-------|-----------------|----------|--------------------|------|-------------------|
| | STD CRI | HIGH CRI | 10W | 14W | WET LOCATION OPT. |
| 2700K | 0.935 | 0.703 | 0.59 | 0.78 | 0.94 |
| 3000K | N/A | 0.754 | 0.59 | 0.78 | 0.94 |
| 3500K | 1.0 | 0.812 | 0.59 | 0.78 | 0.94 |
| 4000K | 1.0 | 0.870 | 0.59 | 0.78 | 0.94 |

DATE

PROJECT

TYPE

SQL3 SERIES | 3-1/2 Inch Indoor/Outdoor Square Cylinders

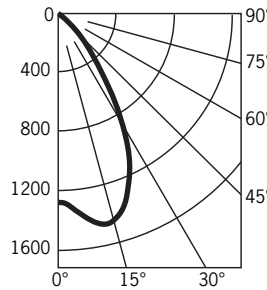
SQL3S330K12D1CWF

Fixture Delivered Lumens: 1701.7
 Total Watts@120V: 20.5
 Lumens Per Watt: 83.0
 Center Beam Candle Power: 1276
 Beam Distribution: 66.0°
 Spacing Criterion: 1.00
 Color Rendering Index (CRI)¹: 83
 Color Temperature (CCT)²: 3107K
 Designed for 50,000 Hour Lamp Life³
 LM-63 Test No. G20012801
 LM-79 Test No. S20013101

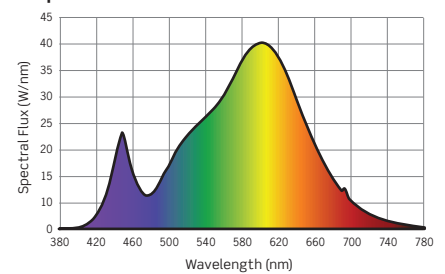
Intensity Distribution

| DISTANCE (FT.) | FOOTCANDLES (FC) | BEAM DIAMETER (FT.) |
|----------------|------------------|---------------------|
| 4 FT | 79.8 | 5.2 |
| 6 FT | 35.5 | 7.8 |
| 8 FT | 19.9 | 10.4 |
| 10 FT | 12.8 | 13.0 |
| 12 FT | 8.9 | 15.6 |
| 14 FT | 6.5 | 18.2 |

Candela Curve



Spectral Power Distribution Chart⁴



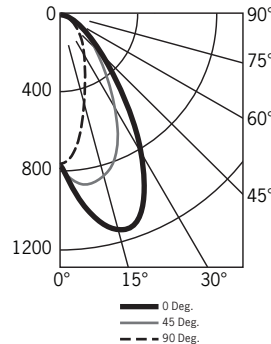
SQL3S330K12D1CWW

Fixture Delivered Lumens: 874.8
 Total Watts@120V: 20.3
 Lumens Per Watt: 43.1
 Center Beam Candle Power: 760
 Beam Distribution: 48.0°
 Spacing Criterion: 0.86
 Color Rendering Index (CRI)¹: 83
 Color Temperature (CCT)²: 3107K
 Designed for 50,000 Hour Lamp Life³
 LM-63 Test No. G20012902
 LM-79 Test No. S20013101

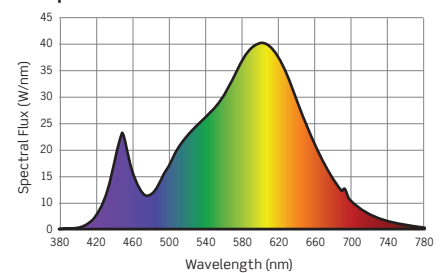
Intensity Distribution

| DISTANCE (FT.) | FOOTCANDLES (FC) | BEAM DIAMETER (FT.) |
|----------------|------------------|---------------------|
| 4 FT | 47.5 | 3.8 |
| 6 FT | 21.1 | 5.7 |
| 8 FT | 11.9 | 7.6 |
| 10 FT | 7.6 | 9.5 |
| 12 FT | 5.3 | 11.4 |
| 14 FT | 3.9 | 13.3 |

Candela Curve



Spectral Power Distribution Chart⁴



1. Accuracy of Rendering Colors 2. Color Appearance of Light Source 3. Dependent on Surrounding Temperatures 4. Colors Present within the Light Source

PHOTOMETRIC MULTIPLICATION FACTORS

Lumen output values fluctuate based on CCT. To estimate lumen output of the various CCT/CRI options, multiply 3000K (80 CRI min) results by the following:

| CCT | CCT MULTIPLIERS | | OUTPUT MULTIPLIERS | | |
|-------|-----------------|----------|--------------------|------|-------------------|
| | STD CRI | HIGH CRI | 10W | 14W | WET LOCATION OPT. |
| 2700K | 0.935 | 0.703 | 0.59 | 0.78 | 0.94 |
| 3000K | N/A | 0.754 | 0.59 | 0.78 | 0.94 |
| 3500K | 1.0 | 0.812 | 0.59 | 0.78 | 0.94 |
| 4000K | 1.0 | 0.870 | 0.59 | 0.78 | 0.94 |

BUG RATINGS

Not valid for Up/Down (U/D) or Wall Mount (W) when oriented as an Uplight

| | REFLECTOR | | | | |
|-----|-----------|----------|----------|------------|------------------------|
| | SPOT | MEDIUM | FLOOD | WIDE FLOOD | WALL WASH ¹ |
| 10W | B1 U0 G0 | B1 U0 G0 | B1 U0 G0 | B1 U0 G0 | B0 U0 G0 |
| 14W | B1 U0 G0 | B1 U0 G0 | B1 U0 G0 | B1 U0 G0 | B1 U0 G0 |
| 20W | B2 U0 G0 | B2 U0 G0 | B2 U0 G0 | B2 U0 G0 | B0 U0 G0 |

1. Wall Wash Rating based on Reflector used as Forward Throw

SQL3 SERIES | 3-1/2 In Indoor/Outdoor Square Cylinders: Dimming Specifications

- Incandescent 120VAC Dimmers adjust the light with “forward phase control”, where the dimmer “chops” the forward part of the AC wave to deliver less or more power to the light source. No neutral wire connection required.
- Electronic Low Voltage 120VAC Dimmers adjust the light with “reverse phase control”, where the dimmer “chops” the back part of the AC wave to deliver less or more power to the light source. Neutral wire connection required.
- 0-10V DC Low Voltage Dimmers operate using two low voltage dimming wires that are separate from the 120V or 277V AC power. The Dimmer sends a variable output voltage to the fixture based upon the dimming level. 10V Corresponds to undimmed operation, 5V to 50% and so on. Switching on/off is controlled with the line voltage power input (120V or 277V AC) to the Dimmer and then dimming operation is controlled with the 0-10V DC low voltage wiring connection between the Dimmer and the LED Driver. The control signal runs on two low voltage control wires (color coded violet and pink/gray).
- Lutron HiLume and EcoSystem Drivers provide continuous dimming from 1%-100%. For a complete list of compatible dimmers and controls, please visit www.lutron.com

| | | | SQL3* Dimming Option 12D1 or MVD2 |
|----------------|----------------|-----------|--------------------------------------|
| Manufacturer | Product | Model | Light Output |
| Leviton | IllumaTech | IPI06-1LZ | 1%-100% |
| Leviton | SureSlide | 6631-2 | 1%-100% |
| Leviton | Vizia | VPE06 | 9%-100% |
| Leviton | Trimatron | 6683-IW | 4%-100% |
| Leviton | Decora | 6161 | 15%-100% |
| Leviton | SureSlide | 6633-P | 0%-100% |
| Leviton | IllumaTech | IPE04 | 6%-100% |
| Leviton | IllumaTech | IP710-DLX | NA |
| Lutron | Ariadni | TGCL-153P | 4%-100% |
| Lutron | Ariadni | TG-600P | 11%-100% |
| Lutron | Diva | DVCL-153P | 0%-100% |
| Lutron | Diva | DV600P | 0%-100% |
| Lutron | Diva | DVELV303P | 6%-100% |
| Lutron | Diva | DVTV | NA |
| Lutron | Faedra | FAELV500 | 12%-100% |
| Lutron | Lumea | LG600P | 5%-100% |
| Lutron | Maestro | MAELV600 | 11%-100% |
| Lutron | Nova | NFTV | NA |
| Lutron | Nova T | NTFTV | NA |
| Lutron | Skylark | S-603PG | 4%-96% |
| Lutron | Skylark | S600P | 1%-100% |
| Lutron | Skylark | SELV300P | 7%-100% |
| Lutron | Skylark | CT103P | 9%-100% |
| Pass & Seymour | Titan | CD4FB-W | NA |
| Watt Stopper | Miro Decorator | DCLV1 | NA |
| Synergy | | ISD BC | NA |
| Cooper | Devine | DLC03P | 1%-100% |
| Cooper | Skye | SLC03P | 0%-100% |
| Cooper | Decorator | DAL06P | 0%-100% |

*277V Triac Dimming is not available

NOTES

1. Testing was performed with a single fixture connected to dimmer.
2. Testing has been performed on these dimmers, but this does not imply any warranty of compatibility.
3. Dimming performance can be influenced by different loads, as well as variations in dimmer switches within the same model.
4. Dimmer maximum load rating with LED may differ from published traditional source dimmer ratings. Consult manufacturer for maximum dimmer information.
5. Consult factory for additional dimming information.