

# CTL2230

## PAR30 Compact Round Back Cylinder Line Voltage Track Fixture

### Specifications/Features

#### Fixture

Round back design gives a softer look. Ideal for accent lighting in retail, commercial, or residential settings. Deep, black phenolic baffle to conceal lamp and provide glare control. Integral ON/OFF switch and track polarity indicator are standard. Fixture will accept (1) LF30 lens, (1) LA-38 egg crate louver or BD30 barn doors by using the FA-30 accessory holder.

#### Lamp

(1) 75W PAR30 Lamp (max.) 120V, E26 medium skirted base.

#### Warranty

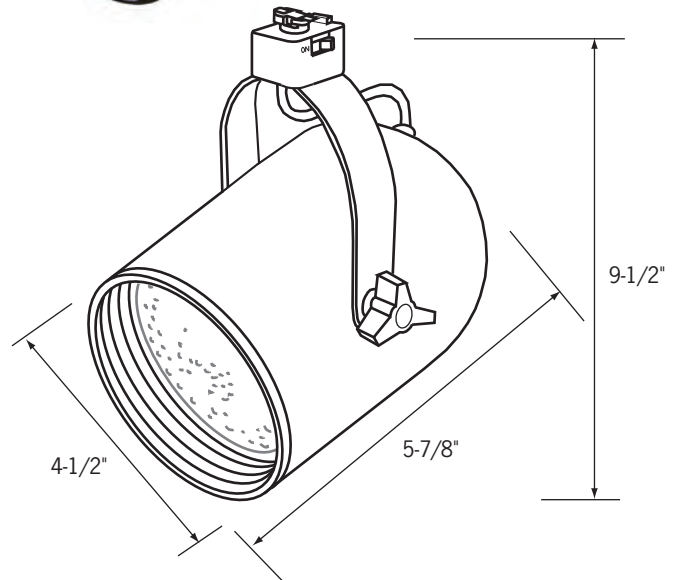
This fixture is covered by ConTech's full one (1) year replacement guarantee after date of purchase.

#### Listing

cCSAus Certified. Suitable for dry locations.

#### Fixture Compatibility

Standard ConTech track fixtures are cCSAus certified as-is for use with ConTech's many track systems, as well as with Juno<sup>®1</sup> Lighting track. By changing the prefix in the part number, ConTech can install inserts which make our fixtures compatible with other manufacturers. Replace "CTL" with "HTL" for Halo<sup>®2</sup> track, "LTL" for Lightolier<sup>®3</sup> track, and "PTL" for Capri<sup>®4</sup> track. For more information, please consult our factory.



### Ordering Information

Example Order:  —

Track System	Fixture	Finish	Accessory Holder	Accessories
<input type="text"/>	<input type="text"/>	<input type="text"/>	<input type="text"/>	<input type="text"/>
<b>CTL</b> - ConTech <b>HTL</b> - Halo <b>LTL</b> - Lightolier <b>PTL</b> - Capri	<b>2230</b>	<b>B</b> - Black <b>P</b> - White	<b>FA-30-(B, P, S)</b>	<b>LF30 - A, B, CL, G, LB, R, RO, Y, 73, LS, SL, UV</b> 3-3/4" Dia. tempered glass lenses <b>LA-38-(B,P,S)</b> - Egg-Crate Louver <b>BD30</b> - Black Barn Doors

*Color/Pattern Legend*  
**-A** (Amber), **-B** (Blue), **-CL** (Clear), **-G** (Green), **-LB** (Light Blue), **-R** (Red), **-RO** (Rose), **-Y** (Yellow), **-73** (Spread Lens), **-LS** (Linear Spread Lens), **-SL** (Soft Light), **-UV** (Optivex UV Filter)

1. Juno is a registered trademark of Juno Lighting  
 2. Halo is a registered trademark of Cooper Lighting  
 3. Lightolier is a registered trademark of Philips Lighting  
 4. Capri is a registered trademark of Philips Lighting