

INSTALLATION INSTRUCTIONS | 120V Flex Neon LED Strip Light: TLNEAC Series

Note: Before attempting installation please refer to your local electrical code.

READ AND FOLLOW ALL SAFETY INSTRUCTIONS SAVE THESE INSTRUCTIONS

WARNING: RISK OF FIRE AND SHOCK

- Always turn off power prior to installation or replacement.
- Do not cover this product as the covering may cause the flexible light to overheat and melt or ignite.
- Do not operate with the flexible light tightly coiled. To prevent overheating do not allow contact between flexible light cables and parts of light cables. Maintain at least 0.47 inches (12 mm) spacing between flexible light cables or parts of light cables.
- Do not puncture, cut, shorten, or splice the flexible lighting.
- Do not route the cord or flexible lighting through walls, doors, windows or any like part of the building structure.
- Do not use if there is any damage to the light or cord insulation. Inspect periodically.
- Do not submerge flexible light in liquids or use the product in the vicinity of standing water or other liquids.
- Secure this flexible light using only the hangers or clips provided. Do not secure this product or its cord with staples, nails, or like means that may damage the insulation or permanently attach to the building structure.
- Do not subject flexible lighting to continuous flexing.
- Do not install in cabinets, tanks or enclosures of any kind.
- **CAUTION:** Do not exceed 6.1 AMPS maximum load.
- For use with 120V 60Hz power supply only. Suitable for interior dry, damp or wet location use only. Do not submerge.
- **PRODUCT IS NOT FIELD CUTTABLE, DOING SO VOIDS AGENCY CERTIFICATION AND WARRANTY.**

WARNING: When using outdoor use portable lighting products, basic safety precautions should always be followed to reduce the risk of fire, electric shock, and personal injury, including the following:

- a) Ground Fault Circuit Interrupter (GFCI) protection should be provided on the circuits or outlet to be used for the outdoor use flexible lighting product. Receptacles are available having built-in GFCI protection for this measure of safety.
- b) Caution: Do not install closer than 118 inches (3 meters) from a swimming pool surface.

IMPORTANT SAFETY INSTRUCTIONS:

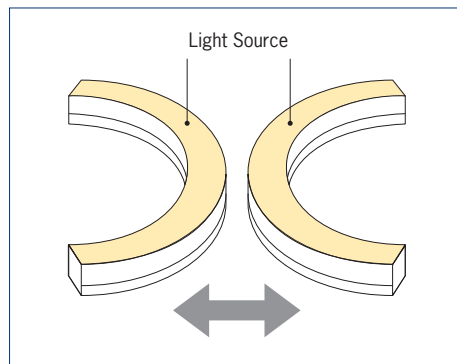
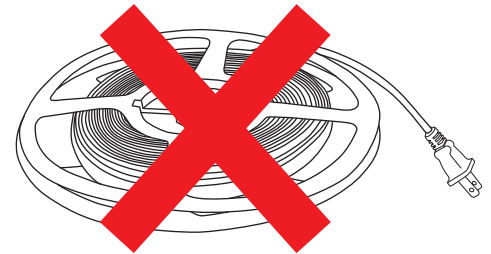
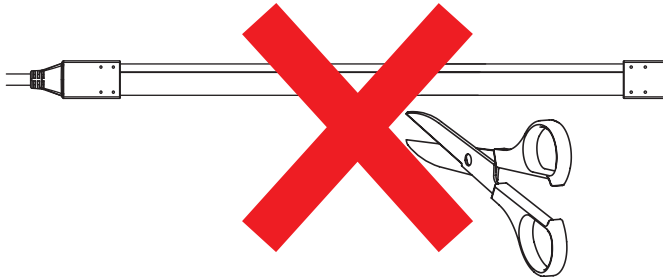
- Read all the instructions before installation. Save instructions for later use.
- Turn off power at fuse or circuit breaker box before installation or before doing any maintenance work.
- Product must be mounted in locations and at heights and in a manner consistent with its intended use, and in compliance with National Electrical Code and local codes. Use of accessory equipment is not recommended.
- Installing contrary to instructions may cause unsafe conditions.
- **WARNING: RISK OF FIRE**
Most dwellings built before 1985 have supply wire rated at 60°C. Consult a qualified electrician before installation.
- Avoid hazards to children: account for all parts and properly dispose of all packing materials.
- Call the Technical Support department at ConTech Lighting with any installation questions: 847.559.5500.

INSTALLATION INSTRUCTIONS | 120V Flex Neon LED Strip Light: TLNEAC Series

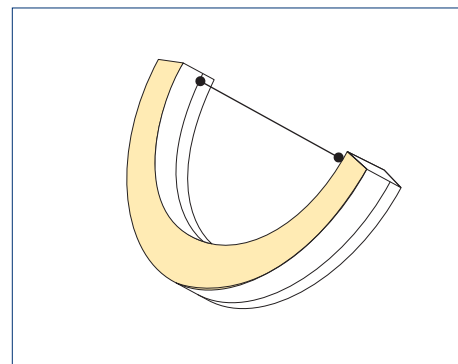
Note: Before attempting installation please refer to your local electrical code.

TLNEAC 120V FLEX NEON LED STRIP LIGHT IS NOT FIELD CUTTABLE; RISK OF ELECTRIC SHOCK OR FIRE. CUTTING THE FLEXIBLE STRIP LIGHT VOIDS ETL LISTING AND WARRANTY.

TLNEAC 120V FLEX NEON LED STRIP LIGHT SHOULD NOT BE OPERATED WHEN COILED AS IT CAN PRODUCE EXCESSIVE HEAT AND DAMAGE THE PRODUCT.



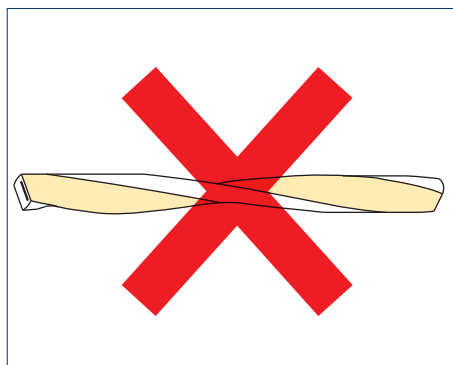
ONLY FLEX THE STRIP LIGHT IN THE SIDE-TO-SIDE DIRECTION



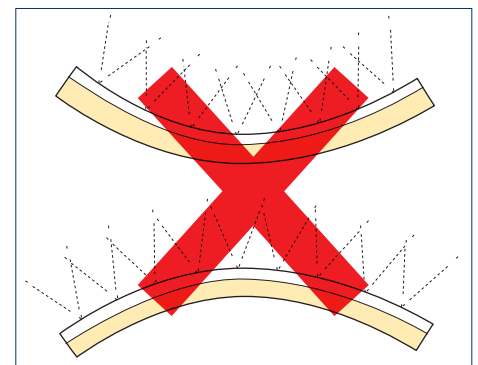
MINIMUM BEND DIAMETER IS 5-INCHES



DO NOT FOLD OR PINCH THE STRIP LIGHT



DO NOT TWIST THE STRIP LIGHT DURING HANDLING AND INSTALLATION



DO NOT BEND OR STRESS THE STRIPS IN THE UP-DOWN (VERTICAL) DIRECTION

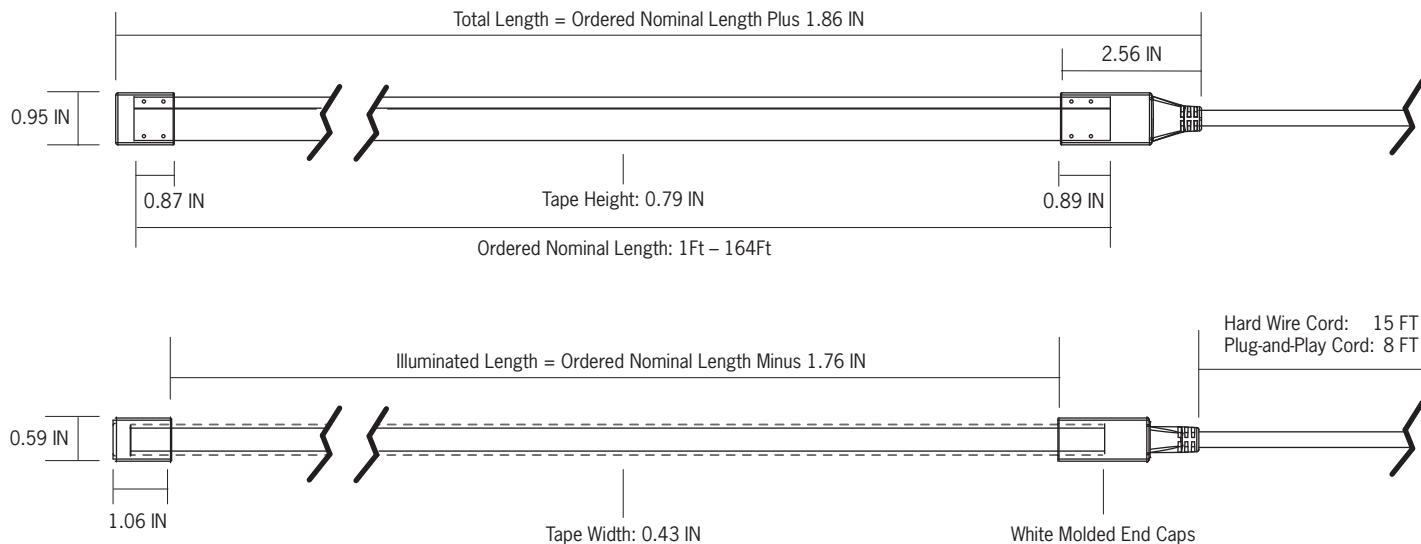
All specifications subject to change without notice. For ConTech's limited product warranty, go to www.contechlighting.com. For a printed copy of the warranty, call 1-847-559-5500.

CONTECH LIGHTING | 725 LANDWEHR ROAD | NORTHBROOK, ILLINOIS 60062 | PHONE 847.559.5500 | www.contechlighting.com
 © 2021 Conservation Technology of Illinois, LLC. All rights reserved. Note: Specifications subject to change without notice.

TLNEACINST REV0221

INSTALLATION INSTRUCTIONS | 120V Flex Neon LED Strip Light: TLNEAC Series

TLNEAC Flex Strip Light Dimensions



TLNEAC Flex Strip Light Length Tolerances

Nominal Ordered Length	Illuminated Length Tolerance	Overall Length Tolerance
1 - 20ft	+/- 0.40 in	+/- 0.99 in
21 - 40ft	+/- 0.48 in	+/- 1.07 in
41 - 60ft	+/- 0.59 in	+/- 1.19 in
61 - 80ft	+/- 0.71 in	+/- 1.30 in
81 - 120ft	+/- 0.79 in	+/- 1.38 in
121 - 140ft	+/- 0.87 in	+/- 1.46 in
141 - 164ft	+/- 0.99 in	+/- 1.58 in

All specifications subject to change without notice. For ConTech's limited product warranty, go to www.contechlighting.com. For a printed copy of the warranty, call 1-847-559-5500.

CONTECH LIGHTING | 725 LANDWEHR ROAD | NORTHBROOK, ILLINOIS 60062 | PHONE 847.559.5500 | www.contechlighting.com
 © 2021 Conservation Technology of Illinois, LLC. All rights reserved. Note: Specifications subject to change without notice.

TLNEACINST REV0221

INSTALLATION INSTRUCTIONS | 120V Flex Neon LED Strip Light: TLNEAC Series

Note: Before attempting installation please refer to your local electrical code.

ATTENTION: Be sure to confirm the desired installation location and fit length BEFORE installing Channel or Clips.

OPTION 1: INSTALL STRIP LIGHT USING TLNEACACS6 CHANNEL

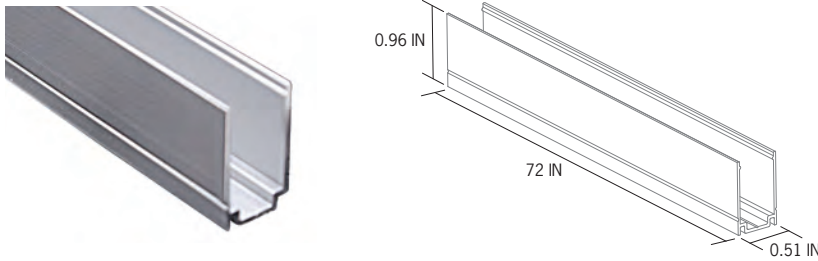


FIGURE 1

1. Cut channel if needed to fit installation
2. Drill through channel every 12-24 inches apart from each other
3. Secure channel with flat head screws (not provided)

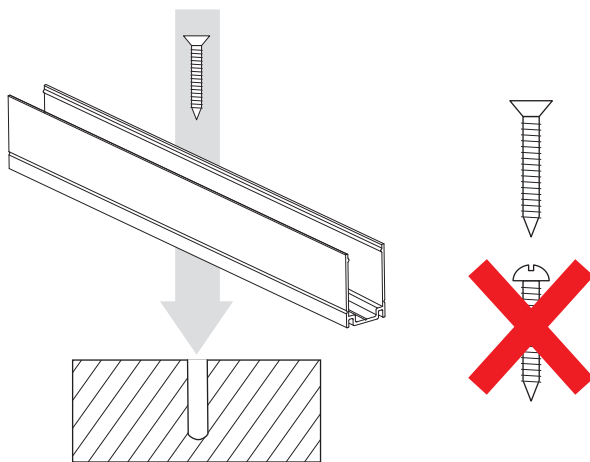
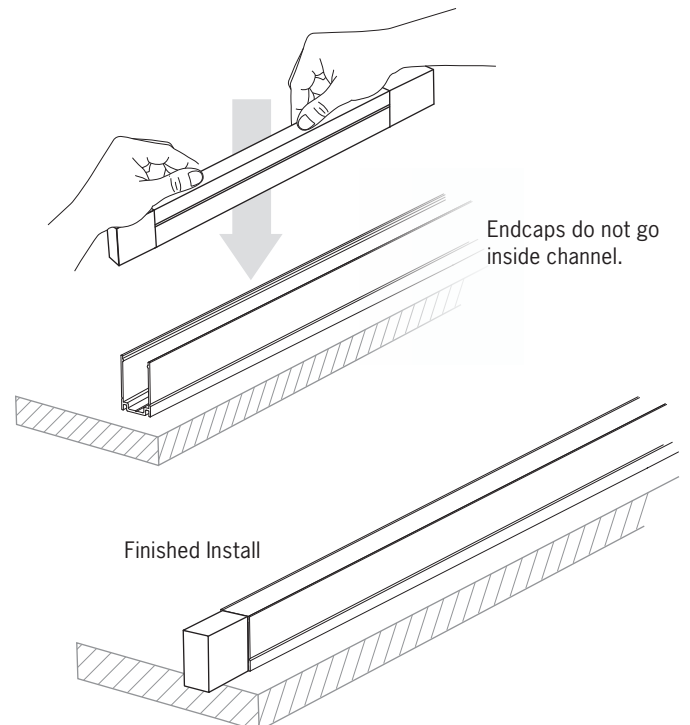


FIGURE 2

1. Press strip light into mounting channel.

NOTE: Fit is tight to allow for maximum reliability. It is NOT recommended to remove strip light once installed in the channel.



INSTALLATION INSTRUCTIONS | 120V Flex Neon LED Strip Light: TLNEAC Series

Note: Before attempting installation please refer to your local electrical code.

ATTENTION: Be sure to confirm the desired installation location and fit length BEFORE installing Channel or Clips.

OPTION 2: INSTALL STRIP LIGHT USING TLNEACACMC CLIPS

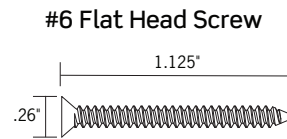
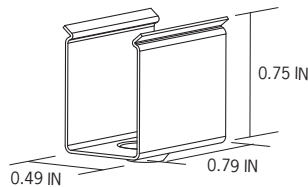


FIGURE 3

1. Drill pilot holes every 12 to 24 inches apart from each other.
2. Secure clips with included flat head screws.

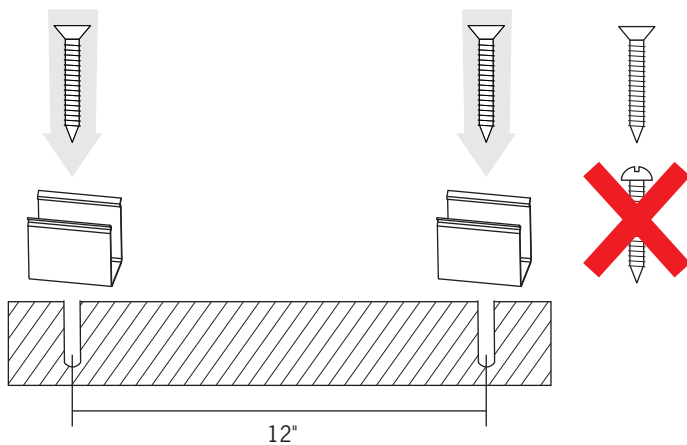
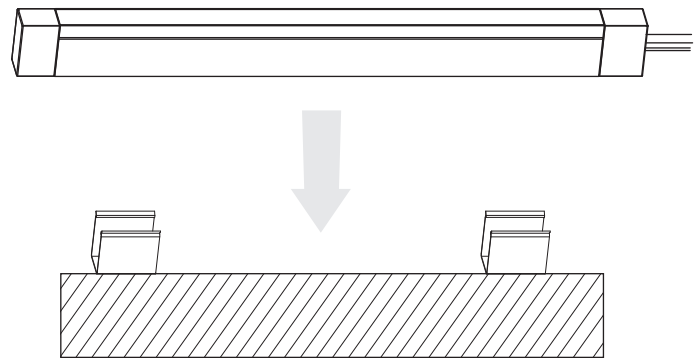
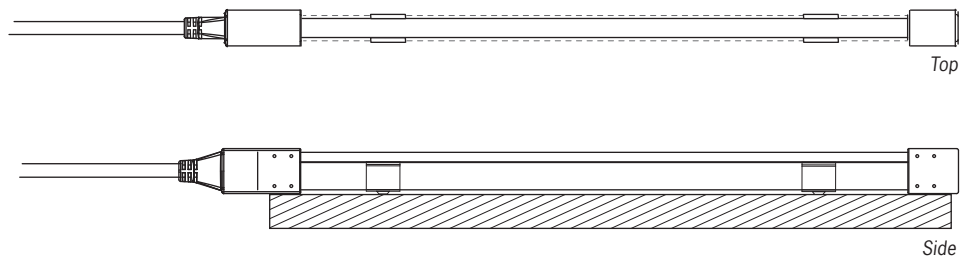


FIGURE 4

1. Press strip light into mounting clips



Finished Install



All specifications subject to change without notice. For ConTech's limited product warranty, go to www.contechlighing.com. For a printed copy of the warranty, call 1-847-559-5500.

CONTECH LIGHTING | 725 LANDWEHR ROAD | NORTHBROOK, ILLINOIS 60062 | PHONE 847.559.5500 | www.contechlighing.com
 © 2021 Conservation Technology of Illinois, LLC. All rights reserved. Note: Specifications subject to change without notice.

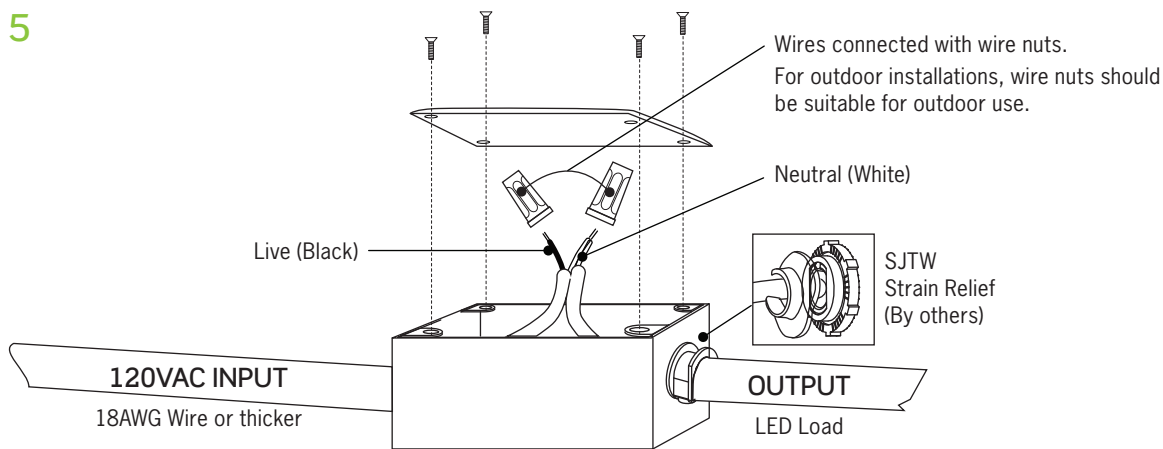
TLNEACINST REV0221

INSTALLATION INSTRUCTIONS | 120V Flex Neon LED Strip Light: TLNEAC Series

WIRING INSTRUCTIONS

OPTION 1: HARDWIRE

FIGURE 5



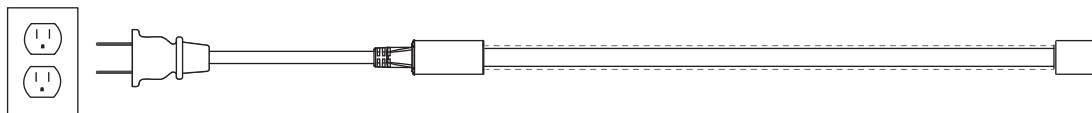
UL Rated Splice Box (Waterproof for Outdoor Installations, by others)

OPTION 2: PLUG-IN

FIGURE 6

WARNING: This product has a polarized plug (one blade is wider than the other) as a feature to reduce the risk of electric shock. This plug will fit in a polarized outlet only one way. If the plug does not fit fully in the outlet, reverse the plug. If it still does not fit, contact a qualified electrician.

- Never use with an extension cord unless the plug can be fully inserted
- Do not alter plug

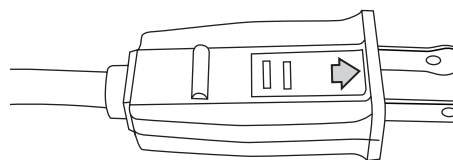


Insert plug into appropriate power receptacle.

TO REPLACE FUSE

This plug contains an electrical fuse as a safety feature

- Disconnect power before replacing the fuse.
- Grasp plug and remove from the receptacle or other outlet device.
- Do not unplug by pulling on the cord.
- Slide open the fuse access cover (see figure on right).
- Remove old fuse carefully.
- Never attempt to replace the fuse with a higher wattage fuse. Use only 8Amp 125V fuse. Failure to do so may be a fire hazard. (One spare fuse is included; stored inside plug for convenience)
- Set new fuse in holder and close fuse access cover.



Fuse is inside plug.
Slide open fuse access cover as shown.

All specifications subject to change without notice. For ConTech's limited product warranty, go to www.contechlighting.com. For a printed copy of the warranty, call 1-847-559-5500.

CONTECH LIGHTING | 725 LANDWEHR ROAD | NORTHBROOK, ILLINOIS 60062 | PHONE 847.559.5500 | www.contechlighting.com
© 2021 Conservation Technology of Illinois, LLC. All rights reserved. Note: Specifications subject to change without notice.

TLNEACINST REV0221