

INSTALLATION PROCEDURES

Before attempting installation please refer to your local electrical code. Fixture is designed to mount flush to ceiling surface.

1. Detach the cylinder lid from the fixture by twisting the lid clockwise and pull it up.
2. Remove cylinder tether from lid and attach lid to junction box.
3. Re-attach cylinder tether to lid to aid wiring. Figure 1
4. Cylinder housing may contain multiple wires, depending upon dimming or non-dimming option being installed.
5. Connect cylinder black (hot) wire to junction box hot wire, and connect cylinder white (neutral) to junction box neutral wire. Connect cylinder green ground wire to either junction box ground wire or ground screw.
6. For cylinders with 12D1 in catalog number [Standard Triac Dimming], the driver can be dimmed with many quality 120V incandescent and electronic low voltage dimmers without additional wiring.
7. For cylinders with MVD2 in catalog number (0-10V Dimming), the driver can be dimmed with 0-10V dimming controls. Locate low voltage dimming control wires (purple, pink/grey) in cylinder and make appropriate connections, purple to Dim+ junction box lead and pink/grey to Dim- junction box lead. For Non-Dimming applications, leave the dimming control wires (purple and gray) capped inside the cylinder. Note: When using 0-10V dimming drivers, Class I wiring (300V wiring inside conduit) is required. Please consult factory for additional details.
8. For cylinders with 12D3 in catalog number, the driver (Lutron Hi-Lume A-Series LTE) is compatible with various Lutron forward phase dimming controls. Contact Lutron for the up-to-date compatibility list of dimming controls: www.lutron.com. Also note for cylinders with 12D3 in catalog number, an additional ground connection is required to ground the driver case, ensure that the (2) two cylinder ground wires are either wired to junction box ground wire or ground screw.
9. Be sure not to pinch wires when attaching cylinder to lid. Engage cylinder to lid then turn cylinder counter-clockwise until it stops.
10. For fixtures rated and installed in wet location: apply an outdoor rated caulk between the ceiling and fixture.

LED MODULE AND REFLECTOR INSTALLATION:

1. Ensure fixture is securely mounted before installing the LED module and reflector.
2. Attach reflector to LED module by aligning tabs, then twist and lock into place. Figure 2
3. For dry and damp location rated cylinders attach tether from housing to LED module with screw. (Figure 3) Tether is not required for wet location cylinders.
4. Make the LED module electrical connection. Figure 3
5. Push LED module/reflector assembly into cylinder until reflector flange seats firmly against cylinder face. Cylinder spring clips secure module/reflector assembly in place.
6. **For wet location installations:** Attach gasketed trim ring with the four (4) provided Philips head screws.

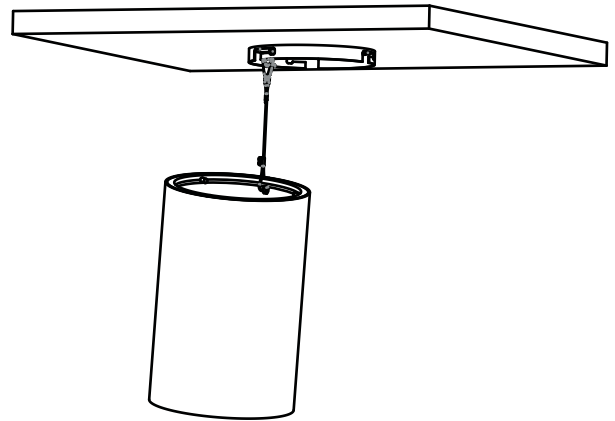
IMPORTANT SAFETY INSTRUCTIONS:

- Read all the instructions before installation. Save instructions for later use.
- Turn off power at fuse or circuit breaker box before installation or before doing any maintenance work.
- Product must be grounded to avoid potential electric shock and any other potential hazards.
- Product must be mounted in locations and at heights and in a manner consistent with its intended use, and in compliance with National Electrical Code and local codes. Use of accessory equipment is not recommended.
- Installing contrary to instructions may cause unsafe conditions.
- Do not block light from the trim aperture, in whole or in part, as this may cause unsafe conditions.
- Warning: Risk of fire. Most dwellings built before 1985 have supply wire rated at 60°C. Consult a qualified electrician before installation.
- Avoid hazards to children: account for all parts and properly dispose of all packing materials.
- Call the Technical Support department at ConTech Lighting with any installation questions: 847.559.5500

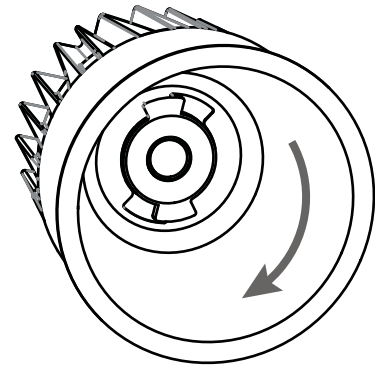
WARRANTY:

- Energy Star products are covered for three (3) years by a full replacement guarantee after date of installation. In addition, ConTech LED products carry a five (5) year limited warranty from date of purchase.

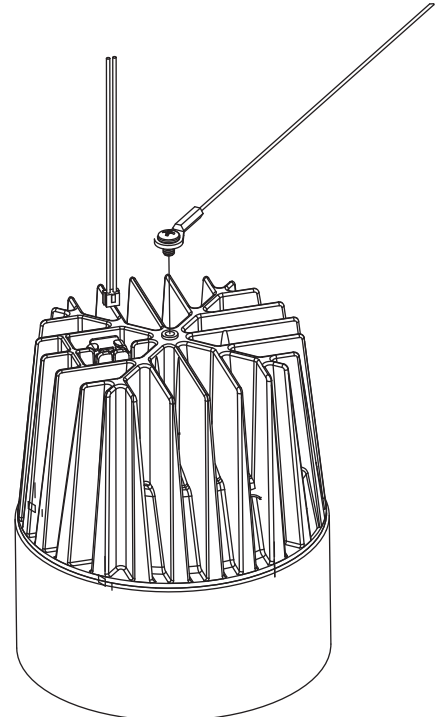
1



2



3



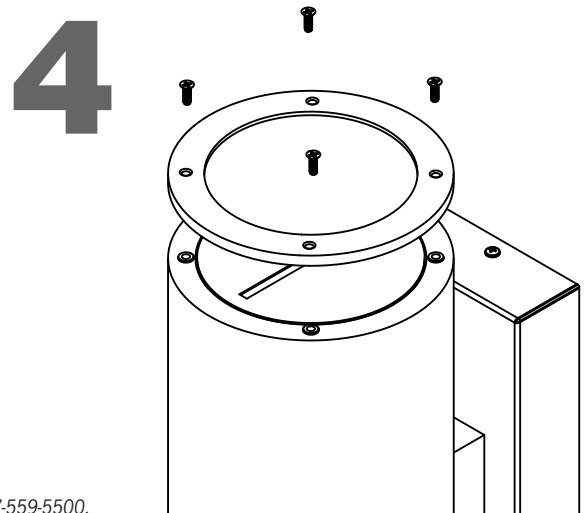
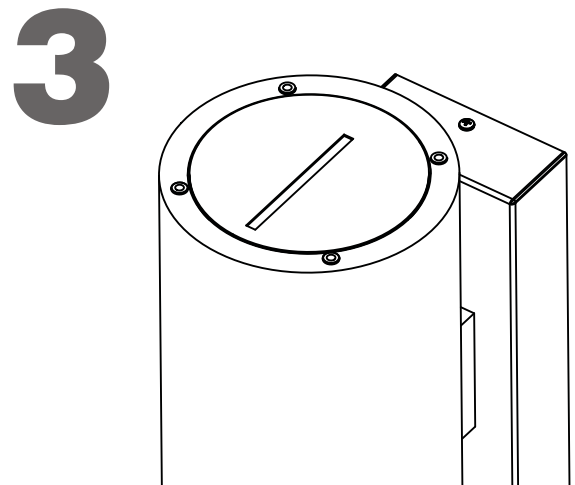
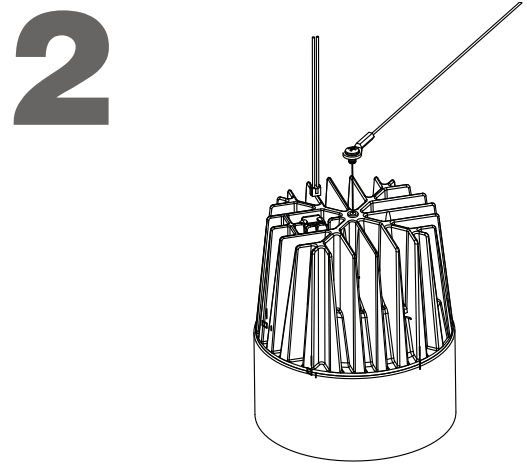
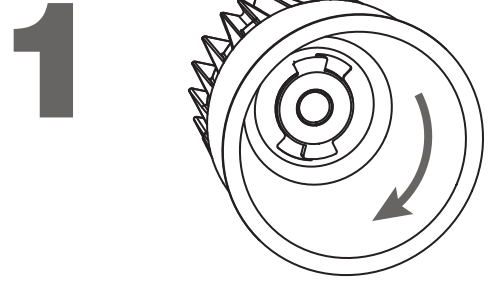
INSTALLATION PROCEDURES

USE THESE INSTRUCTIONS IN PLACE OF THE "LED MODULE AND REFLECTOR INSTALLATION" SECTION OF THE INCLUDED INSTALLATION INSTRUCTIONS

1. Ensure fixture is securely mounted before installing the LED module and reflector
2. Attach black reflector to LED module by aligning tabs, then twist and lock into place. (Figure 1)
3. For dry and damp location rated cylinders attach tether from housing to LED module with screw. (Figure 2) Tether is not required for wet location cylinders.
4. Make the LED module electrical connection. (Figure 2)
5. Push LED module/reflector assembly into cylinder until reflector flange seats firmly against cylinder face. Cylinder spring clips secure module/reflector assembly in place.
6. Add pencil beam plate on top of reflector, align the long edge of the cut-out in the plate perpendicular to the wall where pencil beam is intended graze. (Figure 3)
7. Attach gasketed trim ring with the four (4) provided Philips head screws to hold the pencil beam plate in place. (Figure 4)
8. For wet locations wall mount applications, apply an outdoor rated caulk between top and side edges of cylinder wiring compartment where it meets the wall and on the top mounting screw. For pendant and ceiling mount wet locations applications, apply outdoor rated caulk between ceiling surface and canopy.

IMPORTANT SAFETY INSTRUCTIONS:

- Read all the instructions before installation. Save instructions for later use.
- Turn off power at fuse or circuit breaker box before installation or before doing any maintenance work.
- Product must be grounded to avoid potential electric shock and any other potential hazards.
- Product must be mounted in locations and at heights and in a manner consistent with its intended use, and in compliance with National Electrical Code and local codes. Use of accessory equipment is not recommended.
- Installing contrary to instructions may cause unsafe conditions.
- Do not block light from the trim aperture, in whole or in part, as this may cause unsafe conditions.
- Warning: Risk of fire. Most dwellings built before 1985 have supply wire rated at 60°C. Consult a qualified electrician before installation.
- Avoid hazards to children: account for all parts and properly dispose of all packing materials.
- Call the Technical Support department at Con-Tech Lighting with any installation questions: 847.559.5500



INSTALLATION PROCEDURES

USE THESE INSTRUCTIONS IN PLACE OF THE "LED MODULE AND REFLECTOR INSTALLATION" SECTION OF THE INCLUDED INSTALLATION INSTRUCTIONS

1. Ensure fixture is securely mounted before installing the LED module and reflector
2. Remove Upper Angled Cone from the trim assembly and position in the LED Module as shown. (Figure 1)
3. Attach Upper Angled Cone to LED Module with a quarter turn clockwise; no screws required. (Figure 2)
4. Complete the trim assembly by positioning the Lower Angled Reflector/Lens assembly in a mating orientation with the Upper Angled Cone. (Figure 3)
5. Make the LED Module electrical connection with the connector. For dry and damp location rated cylinders attach tether from housing to LED module with screw. Tether is not required for wet location cylinders. (Figure 4)
6. Orient Trim/LED Module making sure that the lens and the sticker "WALL" is facing/pointing towards the wall. (Figure 5)
7. Push LED module/reflector assembly into cylinder until reflector flange seats firmly against cylinder face. Cylinder spring clips secure module/reflector assembly in place.
8. For wet location installations: Attach gasketed trim ring with the four (4) provided Philips head screws. For Wall mount applications, apply an outdoor rated caulk between top and side edges of cylinder wiring compartment where it meets the wall and on the top mounting screw. For pendant and ceiling mount applications, apply outdoor rated caulk between ceiling surface and canopy.

IMPORTANT SAFETY INSTRUCTIONS:

- Read all the instructions before installation. Save instructions for later use.
- Turn off power at fuse or circuit breaker box before installation or before doing any maintenance work.
- Product must be grounded to avoid potential electric shock and any other potential hazards.
- Product must be mounted in locations and at heights and in a manner consistent with its intended use, and in compliance with National Electrical Code and local codes. Use of accessory equipment is not recommended.
- Installing contrary to instructions may cause unsafe conditions.
- Do not block light from the trim aperture, in whole or in part, as this may cause unsafe conditions.
- Warning: Risk of fire. Most dwellings built before 1985 have supply wire rated at 60°C. Consult a qualified electrician before installation.
- Avoid hazards to children: account for all parts and properly dispose of all packing materials.
- Call the Technical Support department at ConTech Lighting with any installation questions: 847.559.5500

