

R4SQRM

4" Square LED Recessed Downlight: Remodel Housing

Specifications/Features

Housing/Mounting

Specification grade 4" Square Remodel housing, delivering over 3600lm. 16 Gauge galvanized steel housing with die-cast aluminum heat sink. Requires minimum 3" clearance around fixture from insulation material. Thermal protection provided in case of improper insulation use. Heavy duty steel flange is secured to ceiling by four (4) spring clamps. Quick-connect LED light engine enables easy installation and removal. LED Drivers are fully accessible from below the ceiling and can be easily removed.

Electrical

UL8750 and Class 2 Compliant; RoHS Compliant, US only. Output over voltage, over-current and short circuit protection. Approved for through-circuit wiring. Max.: (4) 12 AWG (2in/2out). Pre-wired junction box with (4) 1/2" convenient screwdriver pry-outs.

Lamp

Utilizes glass TIR optics engineered to provide smooth uniform beams, maximizing output and minimizing glare. Available in 33°, 39° and 73° beam distributions. A high efficiency soft-focus film is installed for even greater softening of beam [field removable]. Light engine consists of a high output multi-chip LED array. Excellent fixture-to-fixture color consistency within a 3-step MacAdam Ellipse tolerance. System designed and rated for 50,000 hours at 70% lumen maintenance.

Dimming

All R4SQRM downlights are available for non-dimming and dimming applications. For a list of compatible dimmers, refer to [Dimming Specification sheet](#).

Trims

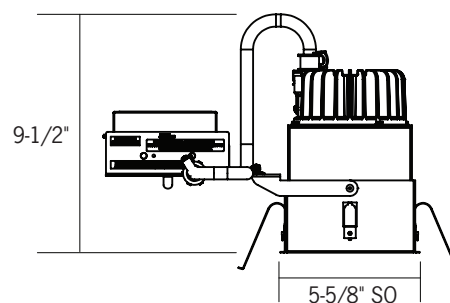
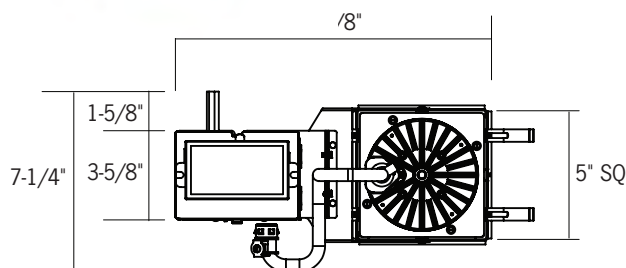
Specification Grade trims are available in several different styles and finishes for your space. Featuring a high quality Alzak™ finish; optically designed for reduced glare while maintaining maximum lumen output.

Warranty

This complete fixture is covered by ConTech's full five (5) year replacement guarantee after date of purchase.

Listing

cCSAus Certified to UL Standards. Suitable for wet locations. Energy Star certified: All color temperatures except 27KC. Trim No. C4322SQ-(all finishes). Lutron and eldoLED dimming options are not Energy Star certified. Assembled in the USA



Ceiling Opening: 5-1/2"
Ceiling Thickness: 1/2"-5/8"

	Series 1	Series 2	Series 3	Series 4	Series 5	Series 6
Input Wattage (W)	10	14	20	28	37	43
Input Current (A) 120/277	.08/.04	.12/.06	.17/.08	.23/.11	.31/.14	.36/.17
Input Voltage						
Dimming (Triac, ELV, 0-10V)	120V AC, 50/60Hz					
	277V AC, 50/60Hz					
Lutron HiLume® Dimming	120V AC, 50/60Hz					
Lutron Eco-System® Dimming	120V AC, 50/60Hz					
	277V AC, 50/60Hz					
eldoLED ECOdrive/SOLOdrive/ POWERdrive DMX	120V AC, 50/60Hz					
	277V AC, 50/60Hz					
Color Temp	2700K/3000K/3500K/4000K					
CRI Standard/High	83 (80min) / 90+					
Driver						
Power Factor	> 0.90					
THD	< 20%					
Dimming						
Triac, ELV, 0-10V	10-100%					
Lutron®	1-100%					
eldoLED ECOdrive	1-100%					
eldoLED SOLOdrive	0.1-100%					
eldoLED POWERdrive DMX	0-100%					

R4SQRM

4" Square LED Recessed Downlight: Remodel Housing

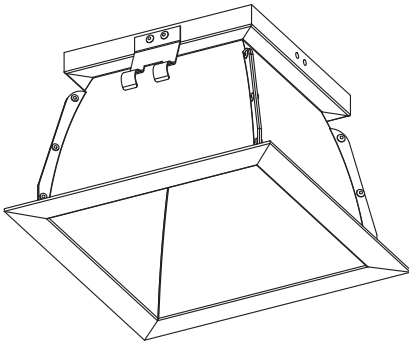
Ordering Information

Example Order: R4SQRM430KI2DW

Housing	LED Series	Color Temp	Electrical	Dimming	Beam Dist.
R4SQRM	1 - 10W/1000lm 2 - 14W/1400lm 3 - 20W/2000lm 4 - 28W/2600lm 5 - 37W/3200lm 6 - 43W/3600lm	27K - 2700K 30K - 3000K 35K - 3500K 40K - 4000K 27KC - 2700K, 90+ CRI 30KC - 3000K, 90+ CRI 35KC - 3500K, 90+ CRI 40KC - 4000K, 90+ CRI	12 - 120V 27 - 277V	D1 - TRIAC, ELV, 0-10V Dimming D3² - Lutron Hi-Lume 1% 2-Wire LED Driver (120V Forward Phase Only) D4 - Lutron Hi-Lume 1% EcoSystem LED Driver with Soft-on, Fade-to-Black D6³ - eldoLED ECODRIVE, 0-10V, 1% Dimming D7³ - eldoLED ECODRIVE, DALI, 1% Dimming D8³ - eldoLED SOLODRIVE, 0-10V, 0.1% Dimming D9³ - eldoLED SOLODRIVE, DALI, 0.1% Dimming DMX^{3,4} - eldoLED POWERDRIVE, DMX 0.0% Dimming	N - 33° Beam M - 39° Beam W - 73° Beam WW - Wall Wash

1. Triac and ELV Dimming For 120V Only.
2. Lutron Hi-Lume Dimming Only Available in 120V.
3. eldoLED Drivers are Programmed for Linear Curve Dimming as Standard. For Logarithmic Curve Dimming, Please Consult Factory.
4. Verify DMX Driver and Control System Compatibility with Factory Prior to Ordering.

Trims



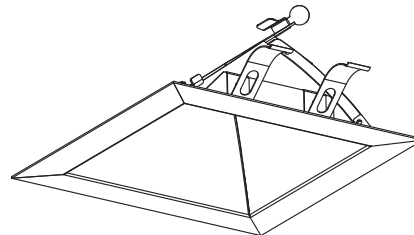
Specification Grade Reflector Trim



Specification grade segmented reflector; available in anodized clear specular, anodized platinum and painted matte white finishes.

Trim flange: 5-3/4" square
Aperture: 4-1/2" square

- C4322SQ-CLR*** - Clear Specular Reflector
- C4322SQ-PL*** - Platinum Reflector
- C4322SQ-WHT** - White Reflector



Lensed Wall Wash Trim



Lensed wall wash trim; available in anodized clear specular, anodized platinum and painted matte white finishes, with angled diffuse glass spread lens.

Trim flange: 5-3/4" square
Aperture: 4-1/2" square

- C4323SQ-CLR*** - Clear Specular Reflector
- C4323SQ-PL*** - Platinum Reflector
- C4323SQ-WHT** - White Reflector

Accessories



- 4SQOPT-N** - 33° Beam Optic
- 4SQOPT-M** - 39° Beam Optic
- 4SQOPT-W** - 73° Beam Optic

*Available with White Flange; Add "-WPF" to part number.

R4SQRM

4" Square LED Recessed Downlight: Remodel Housing

Photometrics

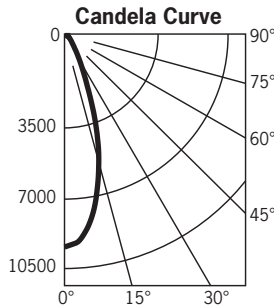
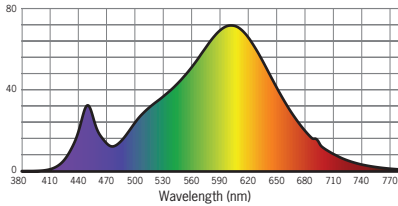
Multiplication Factors

CCT	STD CRI	HIGH CRI	SERIES 1	SERIES 2	SERIES 3	SERIES 4	SERIES 5	WHT/PL REFLECTORS
2700K	0.94	0.70	0.29	0.39	0.53	0.73	0.90	1.0
3000K	N/A	0.75	0.29	0.39	0.53	0.73	0.90	1.0
3500K	1.0	0.81	0.29	0.39	0.53	0.73	0.90	1.0
4000K	1.0	0.87	0.29	0.39	0.53	0.73	0.90	1.0

R4SQNC630K12DN/C4322SQ-CLR (Soft Focus Film)

Designed for 50,000 Hour Lamp Life!; LM-63 Test No. 87326

Light Output (Fixture Delivered Lumens): 3627
 Total Watts@120V: 46.3
 Lumens Per Watt: 78.3
 Color Rendering Index (CRI)²: 82
 Color Temperature (CCT)³: 3011K
 Spectral Power Distribution Chart⁴



FROM 0	CANDELA	LUMENS
0	9760	
5	9210	833
15	5648	1554
25	1611	885
35	354	269
45	67	69
55	9	10
65	4	4
75	2	2
85	0	0
95	0	

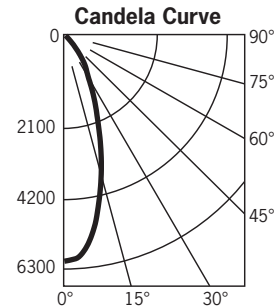
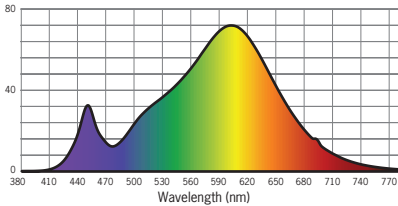
DISTANCE (FT.)	FOOTCANDLES (FC)	BEAM DIAMETER (FT.)
6'	271.1	3.4
8'	152.5	4.5
10'	97.6	5.6
12'	67.8	6.7
14'	49.8	7.8
16'	38.1	8.9

Beam Distribution: 33°
 Spacing Criteria: 0.55

R4SQNC630K12DM/C4322SQ-CLR (Soft Focus Film)

Designed for 50,000 Hour Lamp Life!; LM-63 Test No. 87328

Light Output (Fixture Delivered Lumens): 3490
 Total Watts@120V: 46.3
 Lumens Per Watt: 75.4
 Color Rendering Index (CRI)²: 82
 Color Temperature (CCT)³: 3026K
 Spectral Power Distribution Chart⁴



FROM 0	CANDELA	LUMENS
0	6166	
5	5923	537
15	4028	1108
25	2051	997
35	981	624
45	148	203
55	10	14
65	4	4
75	1	2
85	0	0
95	0	

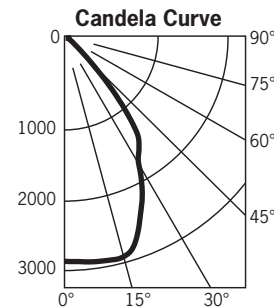
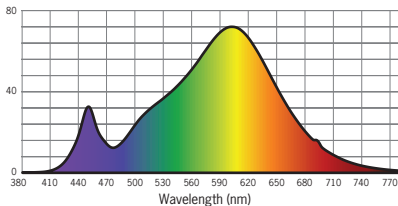
DISTANCE (FT.)	FOOTCANDLES (FC)	BEAM DIAMETER (FT.)
6'	171.3	3.7
8'	96.3	5.0
10'	61.7	6.2
12'	42.8	7.4
14'	31.5	8.7
16'	24.1	9.9

Beam Distribution: 39°
 Spacing Criteria: 0.62

R4SQNC630K12DW/C4322SQ-CLR (Soft Focus Film)

Designed for 50,000 Hour Lamp Life!; LM-63 Test No. 87339

Light Output (Fixture Delivered Lumens): 3569
 Total Watts@120V: 45.8
 Lumens Per Watt: 77.9
 Color Rendering Index (CRI)²: 82
 Color Temperature (CCT)³: 3011K
 Spectral Power Distribution Chart⁴



FROM 0	CANDELA	LUMENS
0	2921	
5	2938	280
15	2941	811
25	2302	1094
35	1615	983
45	253	370
55	14	22
65	5	6
75	2	3
85	0	1
95	0	

DISTANCE (FT.)	FOOTCANDLES (FC)	BEAM DIAMETER (FT.)
6'	81.1	6.5
8'	45.6	8.6
10'	29.2	10.8
12'	20.3	12.9
14'	14.9	15.1
16'	11.4	17.2

Beam Distribution: 73°
 Spacing Criteria: 1.04

1. Dependent on surrounding temperatures
 2. Accuracy of rendering colors
 3. Color appearance of light source
 4. Colors present within the light source