

NCTL84X

Xicato Gallery Series LED Cylinder Track Fixture

Specifications/Features

Fixture

High performance, small scale LED track fixture featuring the Xicato XTM LED module. Available in two (2) lumen packages:

16W / 1300lm (19W High CRI)
23W / 1600lm

In addition to the standard accent track fixture, the gallery series is available in a wall wash configuration; providing smooth even illumination on vertical surfaces. Constructed of die-cast aluminum, the cylindrical body provides thermal management while providing a sleek modern look, designed to quietly complement any space.

Dimming is standard for all wattage options (120V only) and allows smooth illumination down to 10%. Compatible with most Incandescent (forward phase) and ELV (reverse phase) dimmers. For dimmer compatibility, refer to Dimming Specifications sheet.

Lockable, precision aiming adjustment. 360°+ aiming horizontal rotation, 90° vertical rotation.

Integral ON/OFF switch and track polarity indicator are standard.

Can accept up to (2) LF16 60MM lenses or FA-16 60MM black honeycomb louvers when used with the FA-84 accessory holder, FA-85 snoot or BD84 barn doors.

Fixture weight: 2LBS.

Lamp

Featuring a Xicato LED module, the standard series is available in the following color temperatures: 2700K, 3000K, 3500K and 4000K.

In addition to the Xicato standard series, the following options are also available:

Artist Series: Delivering exceptional color rendering for natural color, the artist series provides CRI 98 and R9≥90

Vibrant Series: For striking color, the vibrant series is available in both standard CRI 83 and high CRI 98. 3000K Only.

All Xicato modules feature extraordinary color consistency (within 1x2-step MacAdam ellipse).

Available in Spot (19°), Medium (23°), Flood (41°) and Wide Flood (56°) beam distributions. All beams are achieved using specular spun metal reflectors that feature a twist-and-lock attachment method allowing them to easily be changed in the field.

System designed and rated for 50,000 hours at 70% lumen maintenance.

Electrical

X2 Series (Std CRI): Input Wattage 16W; Output Current 500mA
Input Voltage: 120 VAC

X2 Series (High CRI): Input Wattage 19W; Output Current 700mA
Input Voltage: 120 VAC

277VAC Non-Dimming

X3 Series (Std CRI): Input Wattage 23W; Output Current 700mA
Input Voltage: 120 VAC

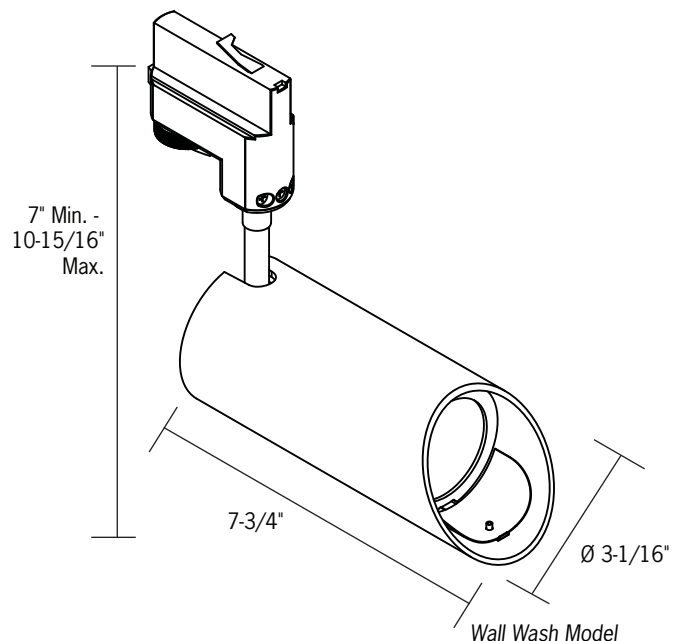
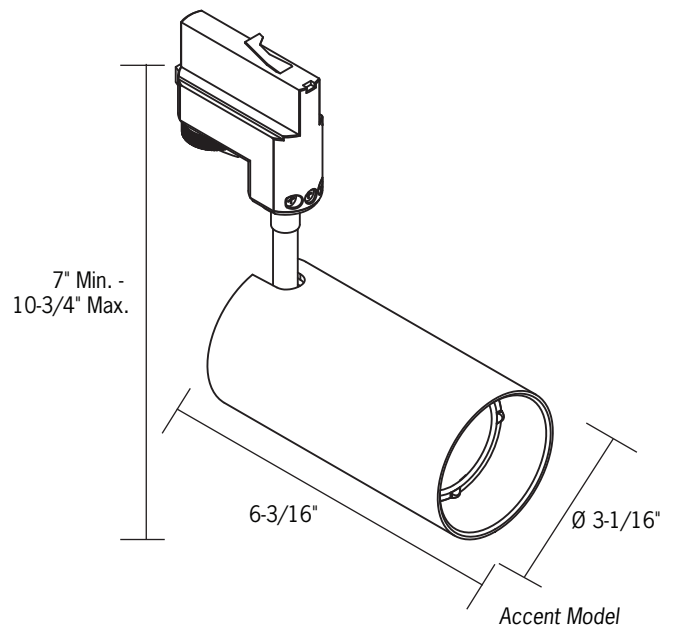
277VAC Non-Dimming

Warranty

This complete fixture is covered by ConTech's full five (5) year replacement guarantee after date of purchase.

Listing

cCSAus Certified to UL Standards. Suitable for dry locations.



NCTL84X

Xicato Gallery Series LED Cylinder Track Fixture

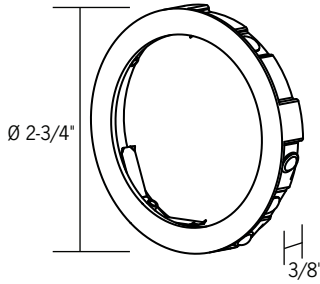
Ordering Information

Example Order: -

Fixture	Beam	Color Temp	Dimming Option	Finish	Nordic Adapter
<input type="text"/>	<input type="text"/>	<input type="text"/>	<input type="text"/>	<input type="text"/>	<input type="text"/>
NCTL84X2 ¹ - 16W Gallery Series with Xicato LED NCTL84X3 ² - 20W Gallery Series with Xicato LED	S - Spot M - Medium F - Flood W - Wide Flood WW ³ - Wall Wash	27 ⁴ - 2700K, 83 CRI 3 ⁴ - 3000K, 83 CRI 35 ⁴ - 3500K, 83 CRI 4 ⁴ - 4000K, 83 CRI 3V ⁴ - 3000K Vibrant, 83 CRI 27C ² - 2700K, 98 CRI 3C ² - 3000K, 98 CRI 35C ² - 3500K, 98 CRI 4C ² - 4000K, 98 CRI 3VC ² - 3000K Vibrant, 98 CRI	D - Dimming	B - Black P - White S - Silver	Blank - 2C/2N 120V 27 - 2C/2N 277V ⁴ 1C - 1C/1N or 2C/1N 3C - 3C/1N

1. X2 High CRI consumes 19W
2. 98CRI is not available on the X3 Series
3. Includes angled housing and wall wash kicker accessory
4. 16W Standard CRI not available in 277V

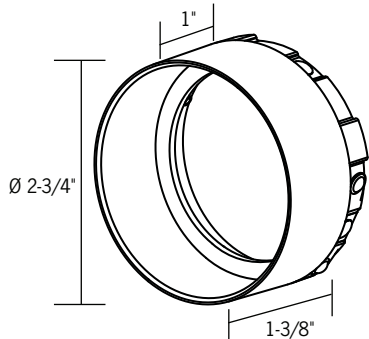
Accessories



Accessory Holder
Will accept up to two (2) LF16_60MM lenses or FA-16 60MM louvers. Finish: B



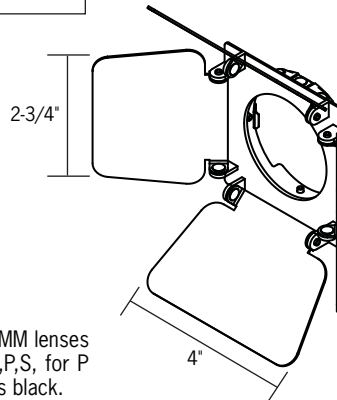
FA-84



Snoot
Will accept up to two (2) LF16_60MM lenses or FA-16 60MM louvers. Finish: B,P,S, for P and S finishes, the inside surface is black.



FA-85



Barn Doors
Barn doors extend 2-3/4" max. from face of fixture. 3-1/2" Min. - 7-3/4" max. Will accept up to two (2) LF16_60MM lenses or FA-16 60MM louvers. Finish: B



BD84



Lenses, Louvers, and Optics



XSA-156 - Spot Optic
XSA-262 - Medium Optic
XSA-264 - Flood Optic
XSA-259 - Wide Flood Optic
FA-16 60MM - 2-3/8" Dia. Black Honeycomb Louver
LF16-(A, B, CL, G, LB, R, RO, Y, 73, LS, SL, SOL) 60MM*
 2-3/8" Dia. Tempered Glass Lenses; Requires FA-84-B Accessory Holder, FA-85 Snoot, or BD84 Barn Doors

*Color/Pattern Legend

-A (Amber), -B (Blue), -CL (Clear), -G (Green), -LB (Light Blue), -R (Red), -RO (Rose), -Y (Yellow), -73 (Spread Lens), -LS (Linear Spread Lens), -SL (Soft Light), -SOL (Solite), -UV (Optivex UV Filter)

NCTL84X

Xicato Gallery Series LED Cylinder Track Fixture

Photometrics

Lumen output values fluctuate based on CCT and CRI. To estimate lumen output of the various CCT/CRI options, multiply 3000K (80 CRI min) results by the following:

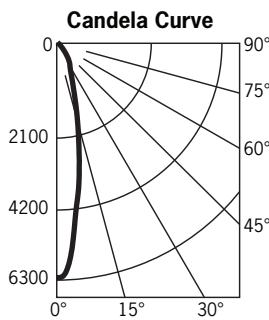
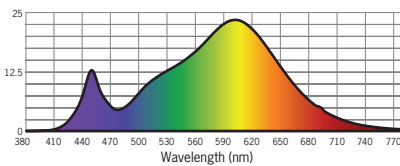
CCT	Standard 80 CRI	Vibrant 80 CRI	Artist 98 CRI	Vibrant High 98 CRI
2700K	1.0	N/A	0.872	N/A
3000K	N/A	1.0	0.872	0.872
3500K	1.0	N/A	0.872	N/A
4000K	1.0	N/A	0.872	N/A

To calculate X3/23W values, multiply results by 1.31

16W Spot Beam, 3000K: CTL84X2S3D

Designed for 50,000 Hour Lamp Life¹; LM-63 Test No. 86945

Light Output (Fixture Delivered Lumens): 1343
 Total Watts@120V: 16.4; Lumens Per Watt: 81.9
 Center Beam Candle Power: 6188
 Color Rendering Index (CRI)²: 82
 Color Temperature (CCT)³: 2931K
 Spectral Power Distribution Chart⁴



Candlepower Summary

FROM 0	CANDELA	LUMENS
0	6188	
5	4686	396
15	1653	467
25	658	311
35	250	157
45	4	9
55	2	2
65	1	1
75	0	0
85	0	0
95	0	

Intensity Distribution

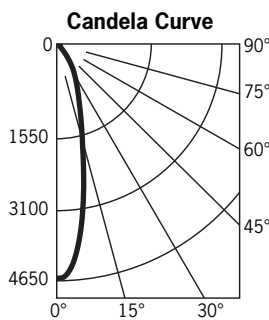
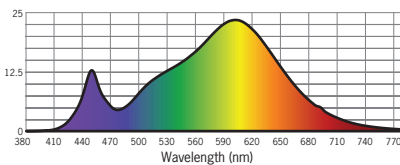
DISTANCE (FT.)	FOOTCANDLES (FC)	BEAM DIAMETER (FT.)
4'	386.8	1.3
6'	171.9	2.0
8'	96.7	2.6
10'	61.9	3.3
12'	43.0	3.9
14'	31.6	4.6

Beam Distribution: 19°, Spacing Criterion: 0.33

16W Medium Beam, 3000K: CTL84X2M3D

Designed for 50,000 Hour Lamp Life¹; LM-63 Test No. 86946

Light Output (Fixture Delivered Lumens): 1294
 Total Watts@120V: 16.4; Lumens Per Watt: 78.9
 Center Beam Candle Power: 4538
 Color Rendering Index (CRI)²: 82
 Color Temperature (CCT)³: 2931K
 Spectral Power Distribution Chart⁴



Candlepower Summary

FROM 0	CANDELA	LUMENS
0	4538	
5	3963	335
15	1628	460
25	737	342
35	236	149
45	4	6
55	1	1
65	1	1
75	0	0
85	0	0
95	0	

Intensity Distribution

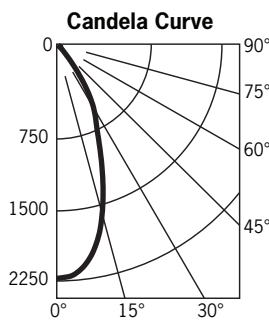
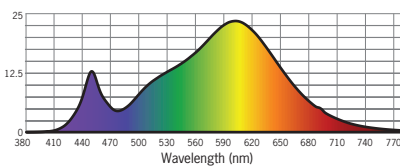
DISTANCE (FT.)	FOOTCANDLES (FC)	BEAM DIAMETER (FT.)
4'	283.6	1.6
6'	126.1	2.3
8'	70.9	3.1
10'	45.4	3.9
12'	31.5	4.7
14'	23.2	5.4

Beam Distribution: 23°, Spacing Criterion: 0.39

16W Flood Beam, 3000K: CTL84X2F3D

Designed for 50,000 Hour Lamp Life¹; LM-63 Test No. 86947

Light Output (Fixture Delivered Lumens): 1226
 Total Watts@120V: 16.4; Lumens Per Watt: 74.8
 Center Beam Candle Power: 2196
 Color Rendering Index (CRI)²: 82
 Color Temperature (CCT)³: 2931K
 Spectral Power Distribution Chart⁴



Candlepower Summary

FROM 0	CANDELA	LUMENS
0	2196	
5	2136	197
15	1563	429
25	818	382
35	299	189
45	21	20
55	7	6
65	2	2
75	1	1
85	0	0
95	0	

Intensity Distribution

DISTANCE (FT.)	FOOTCANDLES (FC)	BEAM DIAMETER (FT.)
4'	137.3	2.6
6'	61.0	4.0
8'	34.3	5.3
10'	22.0	6.6
12'	15.3	7.9
14'	11.2	9.3

Beam Distribution: 41°, Spacing Criterion: 0.66

1. Dependent on surrounding temperatures, 2. Accuracy of rendering colors, 3. Color appearance of light source, 4. Colors present within the light source

NCTL84X

Xicato Gallery Series LED Cylinder Track Fixture

Photometrics

Lumen output values fluctuate based on CCT and CRI. To estimate lumen output of the various CCT/CRI options, multiply 3000K (80 CRI min) results by the following:

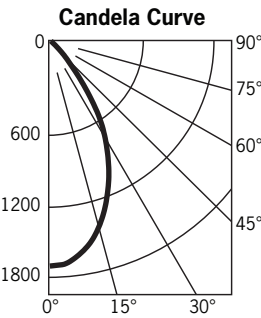
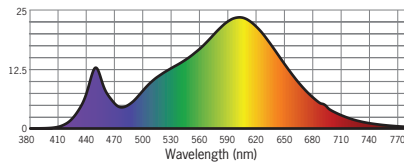
CCT	Standard 80 CRI	Vibrant 80 CRI	Artist 98 CRI	Vibrant High 98 CRI
2700K	1.0	N/A	0.872	N/A
3000K	N/A	1.0	0.872	0.872
3500K	1.0	N/A	0.872	N/A
4000K	1.0	N/A	0.872	N/A

To calculate X3/23W values, multiply results by 1.31

16W Wide Flood Beam, 3000K: CTL84X2W3D

Designed for 50,000 Hour Lamp Life¹; LM-63 Test No. 86948

Light Output (Fixture Delivered Lumens): 1325
 Total Watts@120V: 16.4; Lumens Per Watt: 80.8
 Center Beam Candle Power: 1690
 Color Rendering Index (CRI)²: 82
 Color Temperature (CCT)³: 2931K
 Spectral Power Distribution Chart⁴



Candlepower Summary

FROM 0	CANDELA	LUMENS
0	1690	
5	1655	155
15	1402	390
25	988	450
35	456	283
45	38	46
55	1	1
65	0	0
75	0	0
85	0	0
95	0	

Intensity Distribution

DISTANCE (FT.)	FOOTCANDLES (FC)	BEAM DIAMETER (FT.)
4'	105.6	3.4
6'	46.9	5.1
8'	26.4	6.8
10'	16.9	8.5
12'	11.7	10.2
14'	8.6	11.8

Beam Distribution: 56°, Spacing Criterion: 0.85

1. Dependent on surrounding temperatures, 2. Accuracy of rendering colors, 3. Color appearance of light source, 4. Colors present within the light source