

NCTL84C

Gallery Series LED Cylinder Track Fixture

Specifications/Features

Fixture

High performance, small scale LED track fixture available in three (3) wattages:

- 10W (1000lm*)
- 14W (1400lm*)
- 20W (1800lm*)

*Lumen values are approximate, see page 3 for photometric test results.

In addition to the standard accent track fixture, the gallery series is available in a wall wash configuration; providing smooth even illumination on vertical surfaces.

Constructed of die-cast aluminum, the cylindrical body provides thermal management while providing a sleek modern look, designed to quietly compliment any space.

Dimming is standard for all wattage options (120V only) and allows smooth illumination down to 10%. Compatible with most incandescent (forward phase) and ELV (reverse phase) dimmers. For dimmer compatibility, refer to Dimming Specifications sheet.

Lockable, precision aiming adjustment. 360°+ aiming horizontal rotation, 90° vertical rotation.

Can accept up to (2) LF16 60MM lenses or FA-16 60MM black honeycomb louvers when used with the FA-84 accessory holder, FA-85 snoot, or BD84 barn doors, ordered separately.

Fixture weight: 2LBS.

Lamp

Light engine consists of a single, high lumen output CREE multi-chip LED array. Available in the following color temperatures:

- 2700K; CRI 80 min., 83 Typical (High CRI 90+ available)
- 3000K; CRI 80 min., 83 Typical (High CRI 90+ available)
- 3500K; CRI 80 min., 83 Typical (High CRI 90+ available)
- 4000K; CRI 80 min., 83 Typical (High CRI 90+ available)
- 3000K; CRI 90+, Crisp White

The 3000K Crisp White LED delivers 90+ color rendering with additional violet wavelengths that enhance white visibility.

Excellent fixture-to-fixture color consistency within a 2-step MacAdam Ellipse tolerance.

Available in Spot (12°), Medium (28°) and Flood (32°) beam distributions. Each molded TIR optic has been optically engineered to provide a smooth uniform beam, maximizing output and minimizing glare.

System designed and rated for 50,000 hours at 70% lumen maintenance.

Electrical

10W Driver Specifications: Input Wattage 10W; Output Current 250mA
Input Voltage: 120V VAC Dimming
Dimming: Leading Edge (Incandescent) or Trailing Edge (ELV)

14W Driver Specifications: Input Wattage 14W; Output Current 350mA
Input Voltage: 120V VAC Dimming
277V VAC Non-Dimming
Dimming: Leading Edge (Incandescent) or Trailing Edge (ELV)

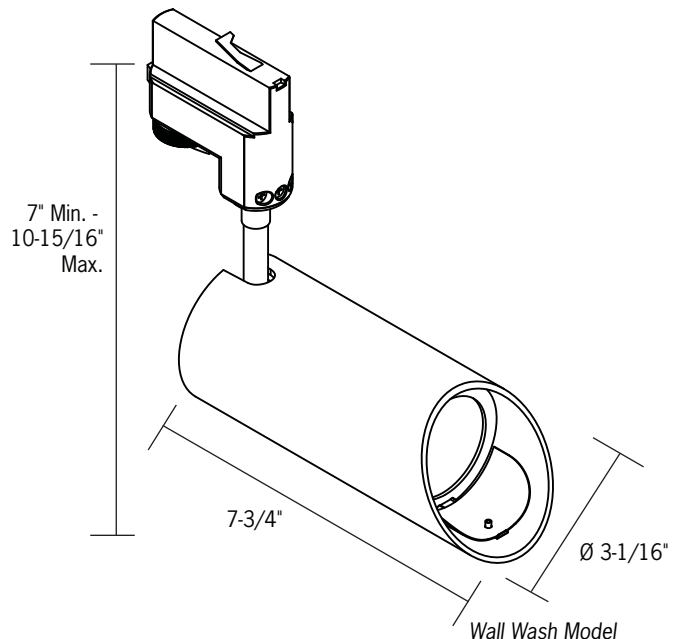
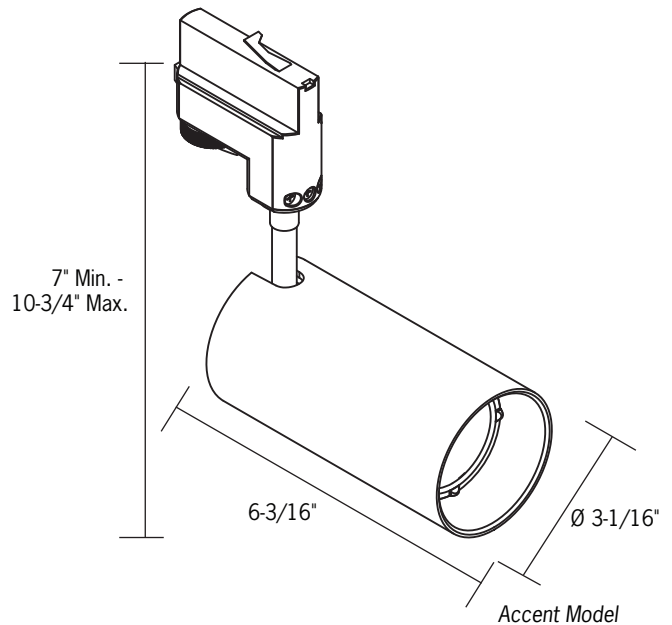
20W Driver Specifications: Input Wattage 20W; Output Current 500mA
Input Voltage: 120V VAC Dimming
277V VAC Non-Dimming
Dimming: Leading Edge (Incandescent) or Trailing Edge (ELV)

Warranty

This complete fixture is covered by ConTech's full five (5) year replacement guarantee after date of purchase.

Listing

cCSAus certified to UL Standards. Suitable for dry locations.



NCTL84C

Gallery Series LED Cylinder Track Fixture

Ordering Information

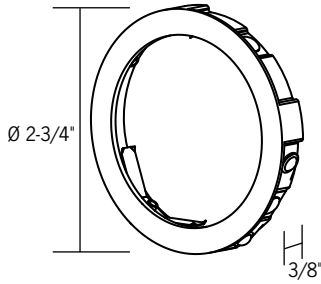
Example Order: -

Fixture	Wattage	Beam	Color Temp	Driver Option	Finish	Nordic Adapter
NCTL84 - Gallery Series LED Cylinder Track Fixture	C1 - 10W/1000Lm C2 - 14W/1400Lm C3 - 20W/1800Lm	S - Spot M - Medium F - Flood WW - Wall Wash ¹	27 - 2700K 3 - 3000K 35 - 3500K 4 - 4000K 27C - 2700K, 90+ CRI 3C - 3000K, 90+ CRI 35C - 3500K, 90+ CRI 4C - 4000K, 90+ CRI 3W - 3000K, 90+ CRI, Crisp White	D - Dimmable at 120V, Not Dimmable at 277V	B - Black P - White S - Silver	Blank - 2C/2N 120V 27 - 2C/2N 277V ² 1C - 1C/1N or 2C/1N 3C - 3C/1N

1. Juno is a registered trademark of Juno Lighting
2. Halo is a registered trademark of Cooper Lighting
3. Lightolier is a registered trademark of Philips Lighting
4. Capri is a registered trademark of Philips Lighting

1. Includes angled housing and wall wash kicker accessory
2. 14W and 20W Only

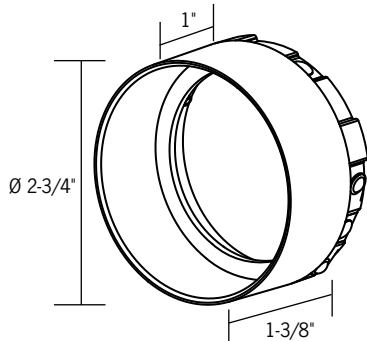
Accessories



Accessory Holder
Will accept up to two (2) LF16_60MM lenses or FA-16 60MM louvers. Finish: B



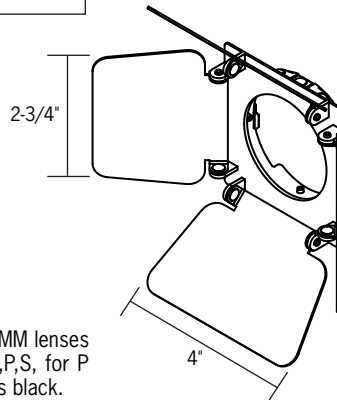
FA-84



Snoot
Will accept up to two (2) LF16_60MM lenses or FA-16 60MM louvers. Finish: B,P,S, for P and S finishes, the inside surface is black.



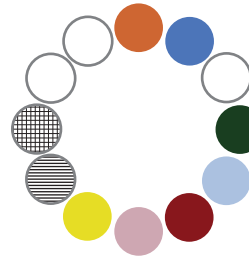
FA-85



Barn Doors
Barn doors extend 2-3/4" max. from face of fixture. 3-1/2" Min. - 7-3/4" max. Will accept up to two (2) LF16_60MM lenses or FA-16 60MM louvers. Finish: B



BD84



Lenses, Louvers, and Optics



2INOPTIC-S - 2" TIR Optic, Spot Beam
2INOPTIC-M - 2" TIR Optic, Medium Beam
2INOPTIC-F - 2" TIR Optic, Flood Beam
5500011 - 2" Diffusion Disc
FA-16 60MM - 2-3/8" Dia. Black Honeycomb Louver
LF16-(A, B, CL, G, LB, R, RO, Y, 73, LS, SL, SOL) 60MM* - 2-3/8" Dia. Tempered Glass Lenses; Requires FA-84 Accessory Holder, FA-85 Snoot or BD84 Barn Doors

*Color/Pattern Legend
-A (Amber), -B (Blue), -CL (Clear), -G (Green), -LB (Light Blue), -R (Red), -RO (Rose), -Y (Yellow), -73 (Spread Lens), -LS (Linear Spread Lens), -SL (Soft Light), -SOL (Solite), -UV (Optivex UV Filter)

NCTL84C

Gallery Series LED Cylinder Track Fixture

Photometrics

Lumen output values fluctuate based on CCT and CRI. To estimate lumen output of the various CCT/CRI options, multiply 3000K (80 CRI min) results by the following:

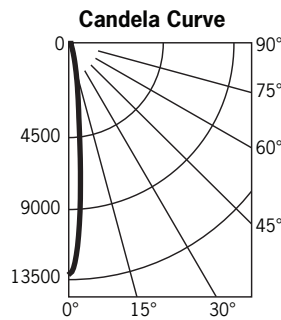
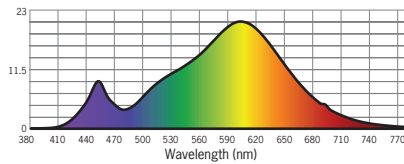
CCT	Standard CRI	High CRI	Crisp White
2700K	.935	.703	N/A
3000K	N/A	.754	.787
3500K	1.0	.812	N/A
4000K	1.0	.87	N/A

To calculate 10W values, multiply results by .74, for 20W, multiply results by 1.28

14W Spot Beam, 3000K: CTL84C2S3D

Designed for 50,000 Hour Lamp Life¹; LM-63 Test No. 88246

Light Output (Fixture Delivered Lumens): 1026
 Total Watts@120V: 13; Lumens Per Watt: 78.9
 Center Beam Candle Power: 13311
 Color Rendering Index (CRI)²: 82
 Color Temperature (CCT)³: 2987K
 Spectral Power Distribution Chart⁴
 LM-79 Test No. 88246



FROM 0	CANDELA	LUMENS
0	13311	
5	7986	582
15	1231	357
25	142	76
35	11	8
45	2	2
55	1	1
65	0	0
75	0	0
85	0	0
95	0	0

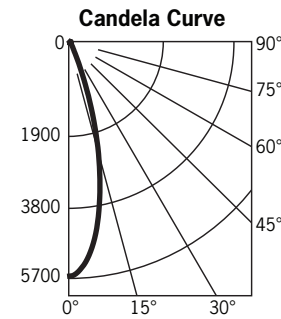
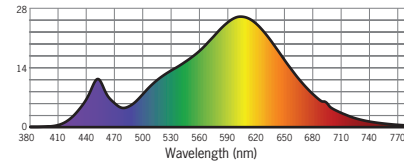
DISTANCE (FT.)	FOOTCANDLES (FC)	BEAM DIAMETER (FT.)
4'	831.9	0.8
6'	369.8	1.2
8'	208.0	1.6
10'	133.1	2.0
12'	92.4	2.4
14'	67.9	2.9

Beam Distribution: 12°
Spacing Criterion: 0.20

14W Medium Beam, 3000K: CTL84C2M3D

Designed for 50,000 Hour Lamp Life¹; LM-63 Test No. 88247

Light Output (Fixture Delivered Lumens): 1294
 Total Watts@120V: 13; Lumens Per Watt: 99.5
 Center Beam Candle Power: 5658
 Color Rendering Index (CRI)²: 82
 Color Temperature (CCT)³: 2978K
 Spectral Power Distribution Chart⁴
 LM-79 Test No. 88247



FROM 0	CANDELA	LUMENS
0	5658	
5	5180	456
15	2472	652
25	229	150
35	45	31
45	2	4
55	1	1
65	0	0
75	0	0
85	0	0
95	0	0

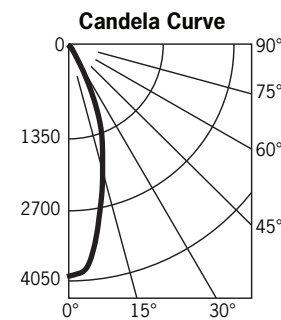
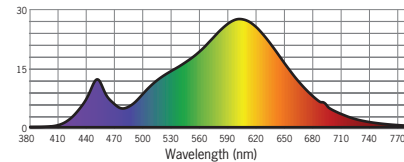
DISTANCE (FT.)	FOOTCANDLES (FC)	BEAM DIAMETER (FT.)
4'	353.6	1.9
6'	157.2	2.8
8'	88.4	3.7
10'	56.6	4.7
12'	39.3	5.6
14'	28.9	6.5

Beam Distribution: 28°
Spacing Criterion: 0.45

14W Flood Beam, 3000K: CTL84C2F3D

Designed for 50,000 Hour Lamp Life¹; LM-63 Test No. 88248

Light Output (Fixture Delivered Lumens): 1358
 Total Watts@120V: 13; Lumens Per Watt: 104.5
 Center Beam Candle Power: 3985
 Color Rendering Index (CRI)²: 82
 Color Temperature (CCT)³: 2987K
 Spectral Power Distribution Chart⁴
 LM-79 Test No. 88248



FROM 0	CANDELA	LUMENS
0	3985	
5	3763	329
15	2107	590
25	790	362
35	94	66
45	7	10
55	1	1
65	0	0
75	0	0
85	0	0
95	0	0

DISTANCE (FT.)	FOOTCANDLES (FC)	BEAM DIAMETER (FT.)
4'	249.1	2.1
6'	110.7	3.1
8'	62.3	4.1
10'	39.9	5.2
12'	27.7	6.2
14'	20.3	7.2

Beam Distribution: 32°
Spacing Criterion: 0.52

1. Dependent on surrounding temperatures, 2. Accuracy of rendering colors, 3. Color appearance of light source, 4. Colors present within the light source

NCTL84C

Gallery Series LED Cylinder Track Fixture

Photometrics

Lumen output values fluctuate based on CCT and CRI. To estimate lumen output of the various CCT/CRI options, multiply 3000K (80 CRI min) results by the following:

CCT	Standard CRI	High CRI	Crisp White
2700K	.935	.703	N/A
3000K	N/A	.754	.787
3500K	1.0	.812	N/A
4000K	1.0	.87	N/A

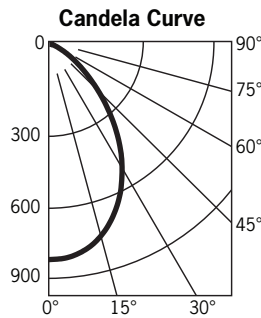
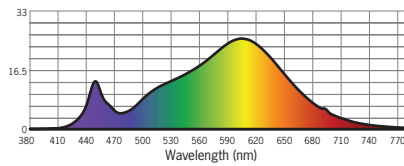
To calculate 10W values, multiply results by .74, for 20W, multiply results by 1.28

14W Wall Wash Beam, 3000K: CTL84C2WW3D

Designed for 50,000 Hour Lamp Life¹; LM-63 Test No. 87712

Light Output (Fixture Delivered Lumens): 1146
 Total Watts@120V: 13.2; Lumens Per Watt: 86.8
 Center Beam Candle Power: 826
 Color Rendering Index (CRI)²: 84
 Color Temperature (CCT)³: 3038K
 Spectral Power Distribution Chart⁴

LM-79 Test No. 87712



Candlepower Summary

FROM 0	CANDELA	LUMENS
0	826	
5	824	77
15	768	211
25	652	280
35	503	261
45	350	176
55	211	85
65	110	37
75	46	13
85	12	4
95	4	1

Intensity Distribution

DISTANCE (FT.)	FOOTCANDLES (FC)	BEAM DIAMETER (FT.)
4'	51.6	4.0
6'	22.9	6.1
8'	12.9	8.1
10'	8.3	10.1
12'	5.7	12.1
14'	4.2	14.1

Beam Distribution: 72°
Spacing Criterion: 1.01

1. Dependent on surrounding temperatures, 2. Accuracy of rendering colors, 3. Color appearance of light source, 4. Colors present within the light source