

NCTL805 V

O2 Vertical Housing Dimmable LED Track Fixture

Specifications/Features

Fixture

High performance, eco-friendly LED track fixture available in three (3) wattages. Providing a sleek, modern look, the fixture head and housing have been designed to quietly compliment any space. Heat sink has been thermally engineered to provide optimal heat dissipation ensuring long life and consistent performance. The vertically oriented die-cast aluminum driver housing is also available in a smaller scale option, see drawing for details. Dimming is available and allows smooth illumination down to 1% with D3 option. Lockable, precision aiming adjustment: 360° + aiming horizontal and 180° vertical rotation. Can accept one (1) LF20 lens or one (1) LA-45 Black Honeycomb Louver by using the FA-41 Snoot/Accessory Holder.

Lamp

Light engine consists of a single, high lumen output multi-chip LED array. Available in the following color temperatures: 2700K, 3000K, 3500K and 4000K; CRI 80 min., 83 Typical. High CRI 90+ available. Excellent fixture to fixture color consistency within a 3-step MacAdam Ellipse tolerance. Available in 13° Spot, 27° Medium and 40° Flood beams; each distribution is achieved utilizing specular spun metal reflectors. Each reflector has been optically engineered to provide a smooth uniform beam, maximizing output and minimizing glare. System designed and rated for 50,000 hours at 70% lumen maintenance.

Electrical

Nominal Wattage	Dimming Option	Input Wattage	Input Voltage	Frequency
14W	N	14W	120/277V	50/60Hz
	D	14W	120V	50/60Hz
	D3	14W	120V	50/60Hz
29W Thin	N	29W	120/277V	50/60Hz
	D3	29W	120V	50/60Hz
42-45W	N	44.7W	120/277V	50/60Hz
	D	42.8W	120V	50/60Hz
	D3	42.8W	120V	50/60Hz

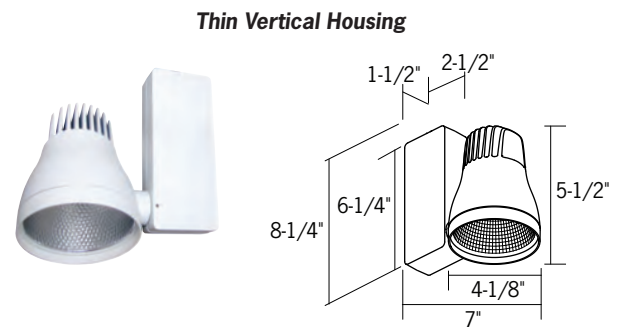
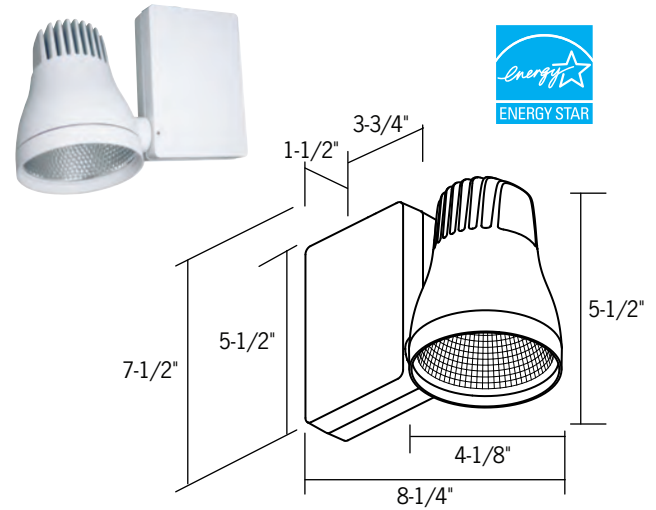
The O2 fixtures utilize drivers manufactured by Lutron, Philips, Roal and Thomas Research Products. For additional information, please consult factory.

Warranty

This complete fixture is covered by ConTech's full five (5) year replacement guarantee after date of purchase.

Listing

CSAus Certified to UL standards. Suitable for dry locations. Energy Star qualified for all variations of the 14W and 29W fixtures, except 14W D3 option and 29W D option.



NCTL805 V

02 Vertical Housing Dimmable LED Track Fixture

Ordering Information

Example Order: —

Fixture	Orientation	Beam	Color Temp	Dimming Option	Finish	Nordic Adapter
<input type="text"/>	<input type="text"/>	<input type="text"/>	<input type="text"/>	<input type="text"/>	<input type="text"/>	<input type="text"/>
NCTL8051 - 14W/1065Lm NCTL8052 - 29W/1930Lm NCTL8053 - 42W/2550Lm	V - Vertical VT - Vertical Thin 8052 Non-Dimming Only	S - Spot M - Medium F - Flood	27 - 2700K 3 - 3000K 35 - 3500K 4 - 4000K 27C - 2700K, 90+ CRI 3C - 3000K, 90+ CRI 35C - 3500K, 90+ CRI 4C - 4000K, 90+ CRI	N - Non-Dimming D - Dimming (120V Only) D3 - Lutron Hi-lume 1% 2-Wire LED Driver (120V Forward Phase Only)	B - Black P - White S - Silver	- Nordic Tek 120V 2C/2N Leave Blank 27 - Nordic Htek 277V 2C/2N 1C - Nordic ECO 120V 1C/1N or 2C/1N 3C - Nordic Pro 120V 3C/1N
Accessories <input type="text"/> LA-45 - Black Honeycomb Louver FA-41 - 1" Snoot/Accessory Holder LF20-(A, B, CL, G, LB, R, RO, Y, 73, LS, SL, UV)* 3-3/4" Dia. Tempered Glass Lenses						

*Color/Pattern Legend
 -A (Amber), -B (Blue), -CL (Clear), -G (Green), -LB (Light Blue), -R (Red), -RO (Rose), -Y (Yellow),
 -73 (Spread Lens), -LS (Linear Spread Lens), -SL (Soft Light), -UV (Optivex UV Filter)

NCTL805 V

02 Vertical Housing Dimmable LED Track Fixture

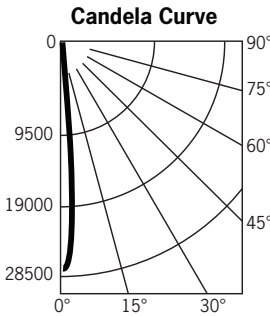
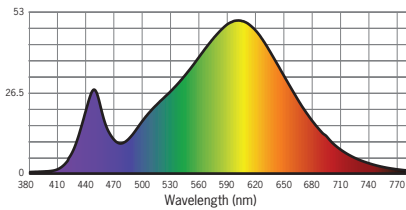
Photometrics

*For 14W data, multiply results by .36; For 29W data, multiply results by .73

42 - 45W* Spot Beam, 3000K: NCTL8053VS3

Designed for 50,000 Hour Lamp Life¹; LM-63 Test No. 74946

Light Output (Fixture Delivered Lumens): 2544
 Total Watts@120V: 44.3
 Lumens Per Watt: 57.4
 Color Rendering Index (CRI)²: 82
 Color Temperature (CCT)³: 3145 Warm White
 Spectral Power Distribution Chart⁴
 LM-79 Test No. 74951



Candlepower Summary

FROM 0	CANDELA	LUMENS
0	27539	
5	18609	1334
15	2144	676
25	941	424
35	17	73
45	10	8
55	8	7
65	9	9
75	6	7
85	4	4
95	0	

Intensity Distribution

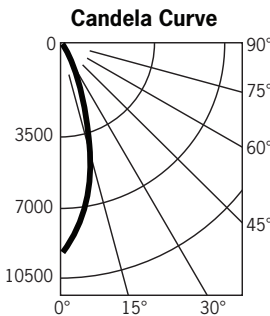
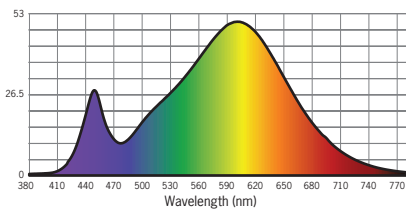
DISTANCE (FT.)	FOOTCANDLES (FC)	BEAM DIAMETER (FT.)
6'	765.0	1.4
8'	430.3	1.8
10'	275.4	2.3
12'	191.2	2.7
14'	140.5	3.2
16'	107.6	3.7

Beam Distribution: 13°

42 - 45W Medium Beam, 3000K: NCTL8053VM3

Designed for 50,000 Hour Lamp Life¹; LM-63 Test No. 74947

Light Output (Fixture Delivered Lumens): 2590
 Total Watts@120V: 44.7
 Lumens Per Watt: 57.9
 Color Rendering Index (CRI)²: 82
 Color Temperature (CCT)³: 3140 Warm White
 Spectral Power Distribution Chart⁴
 LM-79 Test No. 74952



Candlepower Summary

FROM 0	CANDELA	LUMENS
0	9240	
5	8290	719
15	3949	1093
25	1401	655
35	23	89
45	11	8
55	9	8
65	8	8
75	7	7
85	3	3
95	0	

Intensity Distribution

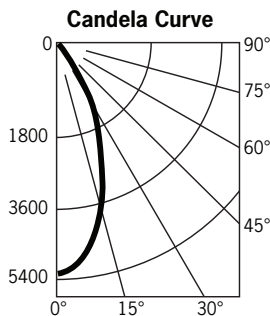
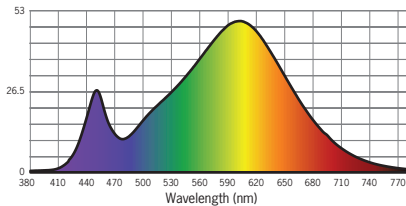
DISTANCE (FT.)	FOOTCANDLES (FC)	BEAM DIAMETER (FT.)
6'	256.7	2.7
8'	144.4	3.5
10'	92.4	4.4
12'	64.2	5.3
14'	47.1	6.2
16'	36.1	7.1

Beam Distribution: 27°

42 - 45W* Flood Beam, 3000K: NCTL8053VF3

Designed for 50,000 Hour Lamp Life¹; LM-63 Test No. 74948

Light Output (Fixture Delivered Lumens): 2567
 Total Watts@120V: 44.2
 Lumens Per Watt: 58.1
 Color Rendering Index (CRI)²: 83
 Color Temperature (CCT)³: 3134K Warm White
 Spectral Power Distribution Chart⁴
 LM-79 Test No. 74953



Candlepower Summary

FROM 0	CANDELA	LUMENS
0	5251	
5	5098	467
15	3578	984
25	1906	861
35	203	211
45	15	15
55	10	9
65	9	9
75	8	8
85	3	4
95	0	

Intensity Distribution

DISTANCE (FT.)	FOOTCANDLES (FC)	BEAM DIAMETER (FT.)
6'	145.9	3.8
8'	82.0	5.1
10'	52.5	6.4
12'	36.5	7.7
14'	26.8	8.9
16'	20.5	10.2

Beam Distribution: 40°

1. Dependant on surrounding temperatures
 2. Accuracy of rendering colors
 3. Color appearance of light source
 4. Colors present within the light source