

# CTL830ML

## PAR30 Gimbal Line Voltage Track Fixture with PAR30 LED Lamp

### Specifications/Features

#### Fixture

2-plane gimbal design permits 360° horizontal swivel and 150° adjustability in the vertical plane for excellent aiming.  
 "Sure-Set" yoke holds the fixture firmly in place.  
 Integral ON/OFF switch and track polarity indicator are standard.  
 Supplied with accessory clips (FA-38) that will accept (1) LF20 lens, LA-37 egg crate louver or BD830 black barn doors.  
 The LA-36 honeycomb louver will fit within the aperture sleeve.

#### Lamp/Electrical

Energy efficient, 10.5W PAR30S 120V LED lamp.  
 Designed to last 25,000 hours.  
 Color management system maintains color consistency over time and temperature. Correlated Color Temperature of 2700K, 3000K, or 3500K; Color Rendering Index of 82.  
 Correlated Color Temperature of 4000K; Color Rendering Index of 85.  
 Lumen output = 800 (76 Lumens per Watt).  
 35° Beam spread; 2,200 CBCP.  
 Durable plastic housing to protect the LEDs.  
 RoHS compliant, contains no lead or mercury

#### Dimming

Dimmable to 10% with forward phase/TRIAC dimming.  
 For optimal performance, use forward phase/TRIAC dimmer specifically designed for LED lamps.  
 Dimming performance may vary due to field conditions, including but not limited to, power quality, installation and wiring, and variations in dimmer production. Please reference the dimmer manufacturer's instructions for dimmer installation and further information.

#### Warranty

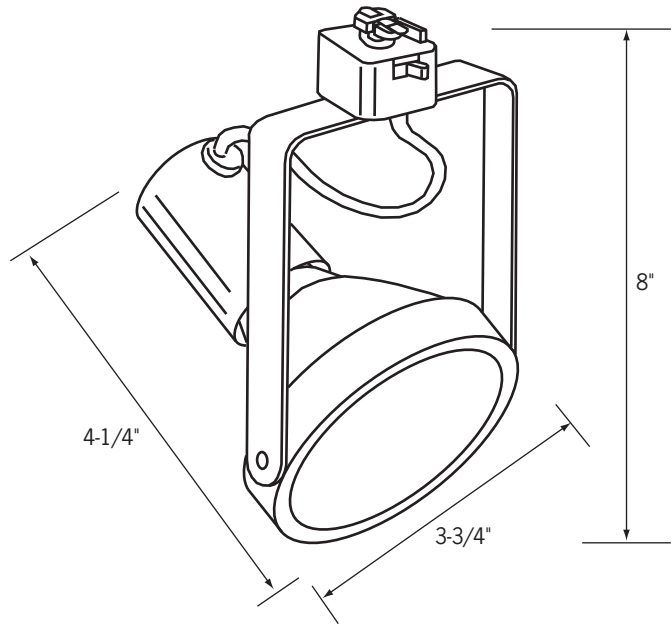
This fixture is covered by ConTech's full three (3) year replacement guarantee after date of purchase.

#### Listing

cCSAus Certified. Suitable for dry locations.  
 Lamp is Energy Star Listed

#### Fixture Compatibility

Standard ConTech track fixtures are cCSAus Certified as-is for use with ConTech's many track systems, as well as with Juno<sup>®1</sup> Lighting track. By changing the prefix in the part number, ConTech can install inserts which make our fixtures compatible with other manufacturers. Replace "CTL" with "HTL" for Halo<sup>®2</sup> track, "LTL" for Lightolier<sup>®3</sup> track, and "PTL" for Capri<sup>®4</sup> track. For more information, please consult our factory.



### Ordering Information

Example Order:  —

Track System	Fixture	Lamp	Finish
<input type="text"/>	<input type="text"/>	<input type="text"/>	<input type="text"/>

**CTL** - ConTech  
**HTL** - Halo  
**LTL** - Lightolier  
**PTL** - Capri

**830**

**ML3527K** - 35°, 2700K  
**ML3530K** - 35°, 3000K  
**ML3535K** - 35°, 3500K  
**ML3540K** - 35°, 4000K

**B** - Black  
**P** - White  
**U** - UNLook  
 (Black Adapter/Black Cord)  
**US** - Satin UNLook  
 (Silver Adapter/Black Cord)

#### Accessories

**For Use Within Aperture Sleeve:**  
**LA-36** - Black Honeycomb Louver

**For Use With Accessory Clips:**  
**LF20** - **A, B, CL, G, LB, R, RO, Y, 73, LS, SL, UV**  
 4-3/4" Dia. tempered glass lenses  
**LA-37-(B,P,S)** - Egg-Crate Louver  
**BD830** - Black Barn Doors

#### Color/Pattern Legend

**-A** (Amber), **-B** (Blue), **-CL** (Clear), **-G** (Green),  
**-LB** (Light Blue), **-R** (Red), **-RO** (Rose), **-Y** (Yellow),  
**-73** (Spread Lens), **-LS** (Linear Spread Lens),  
**-SL** (Soft Light), **-UV** (Optivex UV Filter)

1. Juno is a registered trademark of Juno Lighting  
 2. Halo is a registered trademark of Cooper Lighting  
 3. Lightolier is a registered trademark of Philips Lighting  
 4. Capri is a registered trademark of Philips Lighting