

CTL816GU10ML

Mini Gimbal Ring Line Voltage Track Fixture with LED PAR16 Lamp, GU10 Base

Specifications/Features

Fixture

Compact, gimbal ring lampholder designed for use with Halogen or LED PAR16 or MR16 lamps with GU10 twist and lock lamp base. Ideal for accent lighting in retail, commercial or residential applications. Integral ON/OFF switch and spring loaded latch with embossed track polarity indicator are standard.

Lamp

Energy efficient, 6W or 7W PAR16 LED lamp
Designed to last 25,000 hours
Correlated Color Temperature of 2700K, 3000K, or 3500K, with Color Rendering Index of 82
Correlated Color Temperature of 4000K, Color Rendering Index of 85

6W PAR16 Lamp

Lumen output = 550 (92 Lumens per Watt)
24° Beam spread with CBCP of 2100
35° Beam spread with CBCP of 1240

7W PAR16 Lamp

Lumen output = 530 (75.7 Lumens per Watt)
35° Beam spread with Max.Luminous Intensity (cd) of 600
Durable die-cast aluminum housing with lens to protect the LEDs and reflector
RoHS compliant, contains no lead or mercury

Dimming

Dimmable to 10% with forward phase/TRIAC dimming. For optimal performance, use forward phase/TRIAC dimmer specifically designed for LED lamps. Dimming performance may vary due to field conditions, including but not limited to, power quality, installation and wiring, and variations in dimmer production. Please reference the dimmer manufacturer's instructions for dimmer installation and further information.

Warranty

This fixture is covered by ConTech's full three (3) year replacement guarantee after date of purchase.

Listing

cCSAus Certified to UL standards. Suitable for dry locations.



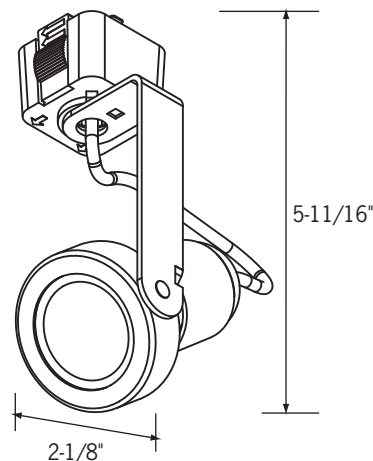
6W PAR16, 24°



6W PAR16, 35°



7W PAR16, 35°



Fixture Compatibility

Standard ConTech track fixtures are cCSAus Certified as-is for use with ConTech's many track systems, as well as with Juno^{®1} Lighting track. By changing the prefix in the part number, ConTech can install inserts which make our fixtures compatible with other manufacturers. Replace "CTL" with "HTL" for Halo^{®2} track, "LTL" for Lightolier^{®3} track, and "PTL" for Capri^{®4} track. For more information, please consult our factory.

Ordering Information

Example Order: —

Track System	Fixture	Lamp	Finish	Accessories*
<input type="text"/>	<input type="text"/>	<input type="text"/>	<input type="text"/>	<input type="text"/>
CTL - ConTech HTL - Halo LTL - Lightolier PTL - Capri	816GU10	ML06-2427K - 6W, 24°, 2700K ML06-2430K - 6W, 24°, 3000K ML06-2435K - 6W, 24°, 3500K ML06-2440K - 6W, 24°, 4000K ML06-3527K - 6W, 35°, 2700K ML06-3530K - 6W, 35°, 3000K ML06-3535K - 6W, 35°, 3500K ML06-3540K - 6W, 35°, 4000K ML3527K - 7W, 35°, 2700K ML3530K - 7W, 35°, 3000K ML3540K - 7W, 35°, 4000K	B - Black P - White S - Silver	LF16 - A, B, CL, G, LB, R, RO, Y, 73, LS, SL, UV 2" Tempered glass lenses FA-16 50MM - Honeycomb Louver LA-816 - Black Snoot THS-16 - Thermal Heat Shield Color/Pattern Legend -A (Amber), -B (Blue), -CL (Clear), -LB (Light Blue), -R (Red), -RO (Rose), -Y (Yellow), -73 (Spread Lens), -LS (Linear Spread Lens), -SL (Soft Light), -UV (Optivex UV Filter)

1. Juno is a registered trademark of Juno Lighting
 2. Halo is a registered trademark of Cooper Lighting
 3. Lightolier is a registered trademark of Philips Lighting
 4. Capri is a registered trademark of Philips Lighting

*Using lens accessories with an LED lamp may reduce lamp life.