

# CTL8070

## 9W LED Track Fixture

### Specifications/Features

#### Fixture

Small scale, 9W LED Cylinder Track Fixture delivering up to 750 lumens. Constructed of extruded and machined aluminum, the heat-sink and integrated driver housing provide a sleek modern look, designed to quietly compliment any space. Dimming is standard. Precision aiming adjustment. 315° aiming horizontal rotation, 90° vertical rotation. Integral ON/OFF switch and track polarity indicator are standard.

#### Lamp

Light engine consists of a single, high lumen output multi-chip LED array. Available in the following color temperatures:

- 2700K; CRI 80 min., 83 Typical
- 3000K; CRI 80 min., 83 Typical
- 3500K; CRI 80 min., 83 Typical

Excellent fixture to fixture color consistency within a 3-step MacAdam Ellipse tolerance.

Available in Medium (24°) and Flood (38°) beam distributions. Each molded TIR optic has been optically engineered to provide a smooth uniform beam, maximizing output and minimizing glare.

System designed and rated for 50,000 hours at 70% lumen maintenance.

#### Electrical

9W Driver Specifications:  
Input Wattage 9W  
Input Voltage: 120VAC, 50/60Hz  
Dimming: Forward Phase (Incandescent)

#### Warranty

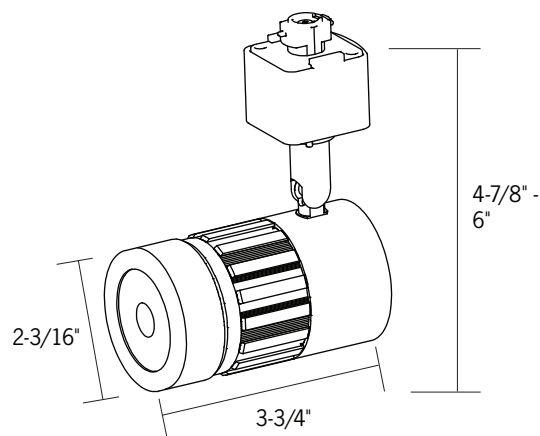
This complete fixture is covered by ConTech's full five (5) year replacement guarantee after date of purchase.

#### Listing

ETL Listed.

#### Fixture Compatibility

Standard ConTech track fixtures are cCSAus Certified as-is for use with ConTech's many track systems, as well as with Juno<sup>®1</sup> Lighting track. By changing the prefix in the part number, ConTech can install inserts which make our fixtures compatible with other manufacturers. Replace "CTL" with "HTL" for Halo<sup>®2</sup> track, "LTL" for Lightolier<sup>®3</sup> track, and "PTL" for Capri<sup>®4</sup> track. For more information, please consult our factory.



### Ordering Information

Example Order:  -

Track System	Fixture	Beam	Color Temp	Dimming Option	Finish
<input type="text"/>	<input type="text"/>	<input type="text"/>	<input type="text"/>	<input type="text"/>	<input type="text"/>
<b>CTL</b> - ConTech <b>HTL</b> - Halo <b>LTL</b> - Lightolier <b>PTL</b> - Capri	<b>8070</b> - 9W	<b>M</b> - Medium <b>F</b> - Flood	<b>27</b> - 2700K <b>3</b> - 3000K <b>35</b> - 3500K	<b>D</b> - Dimming	<b>B</b> - Black <b>P</b> - White <b>S</b> - Silver

1. Juno is a registered trademark of Juno Lighting  
 2. Halo is a registered trademark of Cooper Lighting  
 3. Lightolier is a registered trademark of Philips Lighting  
 4. Capri is a registered trademark of Philips Lighting

# CTL8070

## 9W LED Track Fixture

### Photometrics

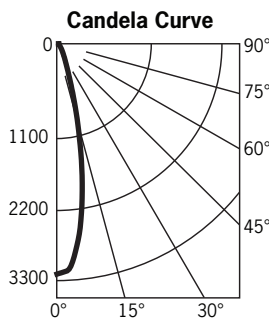
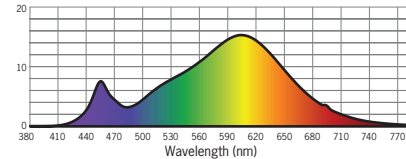
Lumen output values fluctuate based on CCT and CRI. To estimate lumen output of the various CCT/CRI options, multiply 3000K (80 CRI min) results by the following:

CCT	Standard CRI
2700K	1.0
3000K	N/A
3500K	1.07

### CTL8070M3D

Designed for 50,000 Hour Lamp Life<sup>1</sup>; LM-63 Test No. 87457

Light Output (Fixture Delivered Lumens): 775  
 Total Watts@120V: 8.3; Lumens Per Watt: 93.4  
 Center Beam Candle Power: 3185  
 Color Rendering Index (CRI)<sup>2</sup>: 82  
 Color Temperature (CCT)<sup>3</sup>: 3016K  
 Spectral Power Distribution Chart<sup>4</sup>  
 LM-79 Test No. 87457



#### Candlepower Summary

FROM 0	CANDELA	LUMENS
0	3185	
5	2881	245
15	1002	284
25	245	119
35	96	61
45	38	30
55	18	17
65	11	11
75	5	6
85	2	2
95	0	

#### Intensity Distribution

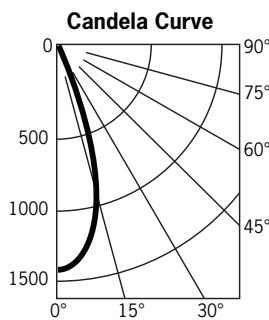
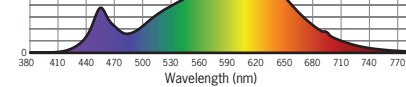
DISTANCE (FT.)	FOOTCANDLES (FC)	BEAM DIAMETER (FT.)
4'	199.1	1.6
6'	88.5	2.4
8'	49.8	3.2
10'	31.9	4.0
12'	22.1	4.8
14'	16.3	5.6

Beam Distribution: 24°  
 Spacing Criterion: 0.40

### CTL8070F3D

Designed for 50,000 Hour Lamp Life<sup>1</sup>; LM-63 Test No. 87458

Light Output (Fixture Delivered Lumens): 770  
 Total Watts@120V: 8.3; Lumens Per Watt: 92.7  
 Center Beam Candle Power: 1451  
 Color Rendering Index (CRI)<sup>2</sup>: 82  
 Color Temperature (CCT)<sup>3</sup>: 3005K  
 Spectral Power Distribution Chart<sup>4</sup>  
 LM-79 Test No. 87458



#### Candlepower Summary

FROM 0	CANDELA	LUMENS
0	1451	
5	1399	129
15	974	266
25	414	193
35	147	95
45	55	44
55	23	21
65	13	13
75	6	7
85	2	2
95	0	

#### Intensity Distribution

DISTANCE (FT.)	FOOTCANDLES (FC)	BEAM DIAMETER (FT.)
4'	90.7	2.5
6'	40.3	3.7
8'	22.7	5.0
10'	14.5	6.2
12'	10.1	7.5
14'	7.4	8.7

Beam Distribution: 38°  
 Spacing Criterion: 0.62

1. Dependent on surrounding temperatures  
 2. Accuracy of rendering colors  
 3. Color appearance of light source  
 4. Colors present within the light source