

# CTL8028AR111ML

## Optica Low Voltage Track Fixture with AR111 LED Lamp

### Specifications/Features

#### Fixture

Sleek lamp head and vertical housing design enhance almost any space.  
Die cast aluminum housing.  
Lockable, precision aiming adjustment. 360° horizontal rotation, 160° vertical rotation.  
Open sides provide convenient relamping and venting.  
Integral ON/OFF switch and track polarity indicator are standard.

#### Lamp

One (1) 12W AR111 LED lamp  
Correlated Color Temperature of 2700K; Color Rendering Index of 82  
Correlated Color Temperature of 4000K, Color Rendering Index of 85  
Lumen output (24° Beam spread) = 650 (54 Lumens per Watt).  
Lumen output (45° Beam spread) = 670 (56 Lumens per Watt).  
24° Beam spread with CBCP of 4,700.  
45° Beam spread with CBCP of 1,850.  
Durable housing with lens to protect the LEDs and reflector.

#### Dimming

Dimmable to 10% with an electronic low-voltage (ELV) dimmer. Dimming performance may vary due to field conditions, including but not limited to, power quality, installation and wiring, and variations in dimmer production.  
Please reference the dimmer manufacturer's instructions for dimmer installation and further information.

#### Warranty

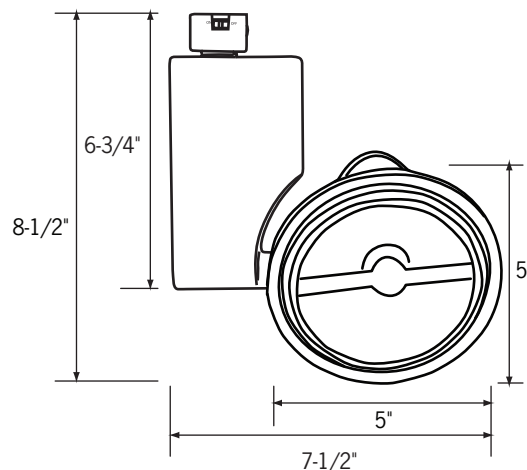
This fixture is covered by ConTech's full three (3) year replacement guarantee after date of purchase.

#### Listing

cCSAus Certified. Suitable for dry locations.  
RoHS compliant, contains no lead or mercury.

#### Fixture Compatibility

Standard ConTech track fixtures are cCSAus Certified as-is for use with ConTech's many track systems, as well as with Juno®<sup>1</sup> Lighting track. By changing the prefix in the part number, ConTech can install inserts which make our fixtures compatible with other manufacturers. Replace "CTL" with "HTL" for Halo®<sup>2</sup> track, "LTL" for Lightolier®<sup>3</sup> track, and "PTL" for Capri®<sup>4</sup> track. For more information, please consult our factory.



### Ordering Information

Example Order:  —

Track System	Fixture	Lamp	Finish
<input type="text"/>	<input type="text"/>	<input type="text"/>	<input type="text"/>
<b>CTL</b> - ConTech <b>HTL</b> - Halo <b>LTL</b> - Lightolier <b>PTL</b> - Capri	<b>8028AR111</b>	<b>ML07-2427K</b> - 12W, 24°, 2700K <b>ML07-2440K</b> - 12W, 24°, 4000K <b>ML07-4527K</b> - 12W, 45°, 2700K <b>ML07-4540K</b> - 12W, 45°, 4000K	<b>B</b> - Black <b>P</b> - White <b>S</b> - Silver

1. Juno is a registered trademark of Juno Lighting  
2. Halo is a registered trademark of Cooper Lighting  
3. Lightolier is a registered trademark of Philips Lighting  
4. Capri is a registered trademark of Philips Lighting