

# CTL802818LH

## Optica Series 18W Dimmable LED Track Fixture with Horizontal Ballast

### Specifications/Features

#### Fixture

Low wattage, eco-friendly, LED track fixture provides high lumen output. Select from spot, medium and flood beam distributions. Dimming option allows illumination down to 10%. Note: Dimming option requires larger housing. See drawings for dimensions. Die cast aluminum housing with horizontal driver. Precision aiming adjustment. 350°+ Horizontal rotation, 180° vertical rotation. Integral ON/OFF switch and track polarity indicator are standard. Will accept (1) LF18 lens.

#### Lamp

(7) LEDs, 700mA constant current input; 18W/1200Lm total.  
 Color Temperature: 2700K (2725 ± 145)  
 3000K (3045 ± 175)  
 3500K (3465 ± 245)  
 4000K (3985 ± 275)

#### Electrical

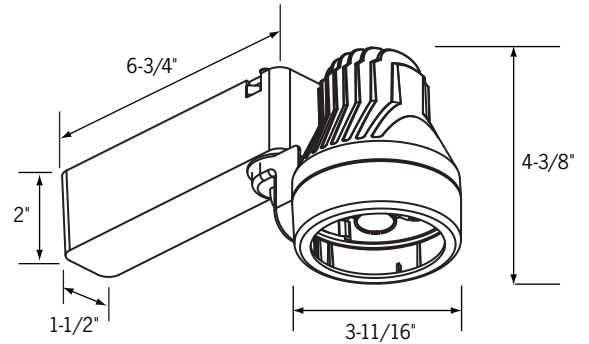
Driver: 120V primary and 700mA secondary, 60Hz.  
 Input current: 0.20A max

#### Warranty

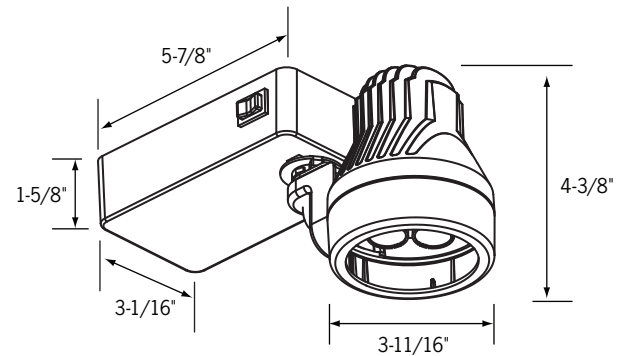
This complete fixture is covered by ConTech's full five (5) year replacement guarantee after date of purchase.

#### Listing

cCSAus Certified to UL standards. Suitable for dry locations.



**Non-Dimming Housing**



**Dimming Housing**

### Ordering Information

Example Order:  -

Fixture	Beam	Color Temp	Dimming Option	Finish	Accessories
<input type="text" value="CTL802818LH"/>	<input type="text" value="S"/>	<input type="text" value="27"/>	<input type="text" value="N"/>	<input type="text" value="B"/>	<input type="text" value="LA-35"/>
	<b>S</b> - Spot	<b>27</b> - 2700K	<b>N</b> - No Dimming	<b>B</b> - Black	<b>LA-35</b> - Black Honeycomb Louver
	<b>M</b> - Medium	<b>3</b> - 3000K	<b>D</b> - Dimming	<b>P</b> - White	<b>LA-44</b> - (B,P,S) - Egg Crate Louver
	<b>F</b> - Flood	<b>35</b> - 3500K		<b>S</b> - Silver	<b>LF18</b> - A, B, CL, G, LB, R, RO, Y, 73, LS, SL, UV 3-1/16" Dia. Tempered Glass Lenses
		<b>4</b> - 4000K			

*Color/Pattern Legend*  
**-A** (Amber), **-B** (Blue), **-CL** (Clear), **-G** (Green),  
**-LB** (Light Blue), **-R** (Red), **-RO** (Rose),  
**-Y** (Yellow), **-73** (Spread Lens), **-LS** (Linear Spread  
 Lens), **-SL** (Soft Light), **-UV** (Optivex UV Filter)

# CTL802818LH

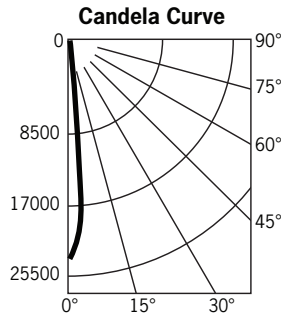
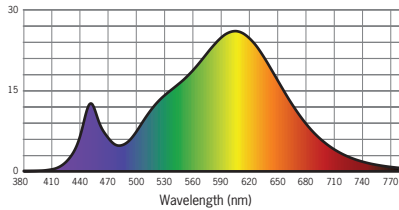
Optica Series 18W Dimmable LED Track Fixture with Horizontal Ballast

## Photometrics

### CTL802818LHS3

Designed for 50,000 Hour Lamp Life\*; LM-63Test No. 81023

Light Output (Fixture Lumens): 1061  
 Total Watts@120V: 17  
 Lumens Per Watt: 75  
 Color Rendering Index (CRI)<sup>1</sup>: 83  
 Color Temperature (CCT)<sup>2</sup>: 3003K Warm White  
 Spectral Power Distribution Chart<sup>3</sup>  
 LM-79 Test No. 81024



#### Candlepower Summary

FROM 0	CANDELA	LUMENS
0	25413	
5	15247	979
15	695	216
25	59	31
35	25	17
45	12	10
55	6	6
65	2	2
75	1	1
85	0	0
95	0	

#### Intensity Distribution

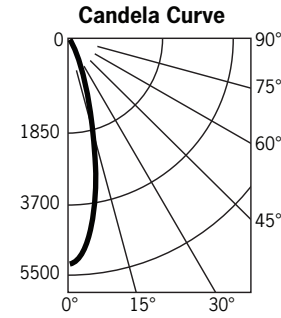
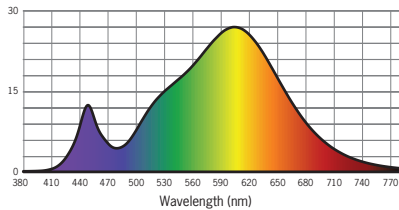
DISTANCE (FT.)	FOOTCANDLES (FC)	BEAM DIAMETER (FT.)
6'	705.9	1.2
8'	397.1	1.6
10'	254.1	2.0
12'	176.5	2.4
14'	129.7	2.8
16'	99.3	3.2

Beam Distribution: 11°  
 Spacing Criterion: 0.19

### CTL802818LHM3

Designed for 50,000 Hour Lamp Life\*; LM-63Test No. 80828

Light Output (Fixture Lumens): 1319  
 Total Watts@120V: 17  
 Lumens Per Watt: 78  
 Color Rendering Index (CRI)<sup>1</sup>: 82  
 Color Temperature (CCT)<sup>2</sup>: 3022K Warm White  
 Spectral Power Distribution Chart<sup>3</sup>  
 LM-79 Test No. 80840



#### Candlepower Summary

FROM 0	CANDELA	LUMENS
0	5452	
5	4862	420
15	2099	574
25	454	227
35	82	58
45	29	23
55	13	12
65	3	3
75	1	1
85	1	1
95	0	

#### Intensity Distribution

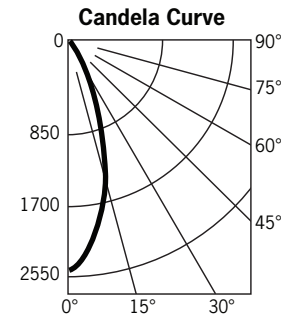
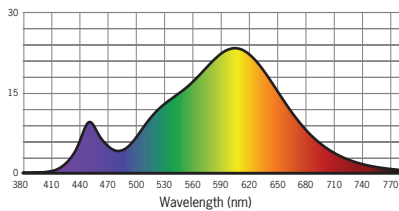
DISTANCE (FT.)	FOOTCANDLES (FC)	BEAM DIAMETER (FT.)
6'	151.4	2.5
8'	85.2	3.4
10'	54.5	4.2
12'	37.9	5.1
14'	27.8	5.9
16'	21.3	6.8

Beam Distribution: 25°  
 Spacing Criterion: 0.42

### CTL802818LHF3

Designed for 50,000 Hour Lamp Life\*; LM-63Test No. 80829

Light Output (Fixture Lumens): 1120  
 Total Watts@120V: 17.5  
 Lumens Per Watt: 64  
 Color Rendering Index (CRI)<sup>1</sup>: 82  
 Color Temperature (CCT)<sup>2</sup>: 2997K Warm White  
 Spectral Power Distribution Chart<sup>3</sup>  
 LM-79 Test No. 80841



#### Candlepower Summary

FROM 0	CANDELA	LUMENS
0	2476	
5	2328	211
15	1492	409
25	623	291
35	194	128
45	62	50
55	22	20
65	6	6
75	2	2
85	2	2
95	0	

#### Intensity Distribution

DISTANCE (FT.)	FOOTCANDLES (FC)	BEAM DIAMETER (FT.)
6'	68.8	3.4
8'	38.7	4.6
10'	24.8	5.7
12'	17.2	6.9
14'	12.6	8.0
16'	9.7	9.2

Beam Distribution: 35°  
 Spacing Criterion: 0.57

1. Accuracy of rendering colors  
 2. Color appearance of light source  
 3. Colors present within the light source

\*Dependent on surrounding temperatures