

# CTL6120ML

## Tapered Cone Line Voltage Track Fixture with 10W PAR20 LED Lamp

### Specifications/Features

#### Fixture

Low profile molded side swivel design with Sure-Set precise aiming. Front relamping, short barreled tapered cone lampholder assembly is made of formed steel. Integral ON/OFF switch and track polarity indicator are standard. Will accept (1) LF20\_86MM lens by using FA-37A black accessory mounting clips. Satin Chrome finish includes black track adapter and fixture arm.

#### Lamp

Includes one (1) energy efficient 10W PAR20 Megaman LED lamp  
Correlated Color Temperature of 2700K, 3000K, or 3500K; Color Rendering Index of 82  
Correlated Color Temperature of 4000K, Color Rendering Index of 85  
RoHS compliant, contains no lead or mercury  
Designed to last 25,000 hours  
15° Beam Spread: Lumen output = 600 (60 Lm/W), CBCP of 4,200.  
35° Beam Spread: Lumen output = 900 (90 Lm/W), CBCP of 1,800.

#### Dimming

Dimmable to 10% with forward phase/TRIAC dimming. For optimal performance, use forward phase/TRIAC dimmer specifically designed for LED lamps. Dimming performance may vary due to field conditions, including but not limited to, power quality, installation and wiring, and variations in dimmer production. Please reference the dimmer manufacturer's instructions for dimmer installation and further information.

#### Warranty

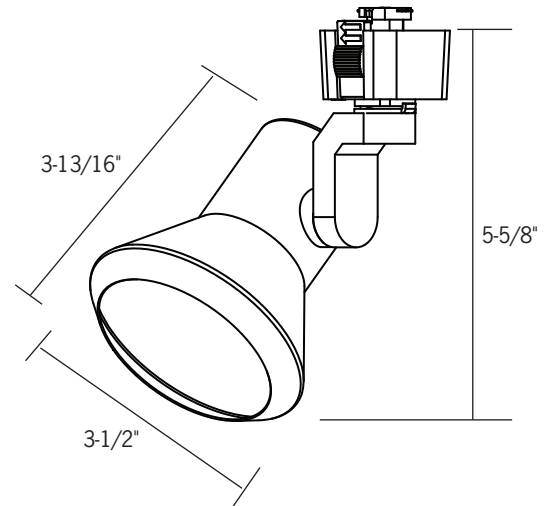
This complete fixture is covered by ConTech's full three (3) year replacement guarantee after date of purchase.

#### Listing

UL & cULus listed. Suitable for damp locations.  
RoHS compliant, contains no lead or mercury.  
Energy Star Listed for 35° Beam version.

#### Fixture Compatibility

Standard ConTech track fixtures are cCSAus Certified as-is for use with ConTech's many track systems, as well as with Juno®1 Lighting track. By changing the prefix in the part number, ConTech can install inserts which make our fixtures compatible with other manufacturers. Replace "CTL" with "HTL" for Halo®2 track, "LTL" for Lightolier®3 track, and "PTL" for Capri®4 track. For more information, please consult our factory.



### Ordering Information

Example Order:  —

Track System	Fixture	Lamp	Finish
<input type="text"/>	<input type="text"/>	<input type="text"/>	<input type="text"/>
<b>CTL</b> - ConTech <b>HTL</b> - Halo <b>LTL</b> - Lightolier <b>PTL</b> - Capri	<b>6120</b>	<b>ML06-1527K</b> - 10W, 15°, 2700K <b>ML06-1530K</b> - 10W, 15°, 3000K <b>ML06-1535K</b> - 10W, 15°, 3500K <b>ML06-1540K</b> - 10W, 15°, 4000K <b>ML09-3527K</b> - 10W, 35°, 2700K <b>ML09-3530K</b> - 10W, 35°, 3000K <b>ML09-3535K</b> - 10W, 35°, 3500K <b>ML09-3540K</b> - 10W, 35°, 4000K	<b>B</b> - Black <b>P</b> - White <b>S</b> - Silver <b>SC</b> - Satin Chrome

#### Accessory Holder



**FA-37A** - Black Accessory Clips, Set of (3)

#### Accessories



**LF20-\* 86MM** - 3-3/8" Dia. Tempered Glass Lenses  
\*A, B, CL, G, LB, R, RO, Y, 73, LS, SL, UV

**Color/Pattern Legend**  
**-A** (Amber), **-B** (Blue), **-CL** (Clear), **-G** (Green), **-LB** (Light Blue), **-R** (Red), **-RO** (Rose), **-Y** (Yellow), **-73** (Spread Lens), **-LS** (Linear Spread Lens), **-SL** (Soft Light), **-UV** (Optivex UV Filter)

1. Juno is a registered trademark of Juno Lighting  
 2. Halo is a registered trademark of Cooper Lighting  
 3. Lightolier is a registered trademark of Philips Lighting  
 4. Capri is a registered trademark of Philips Lighting