

# CTL2838NML

## Front Relamping Gimbal Line Voltage Track Fixture with PAR38 LED Lamp

### Specifications/Features

#### Fixture

2-plane gimbal design permits 360° horizontal swivel and 150° adjustability in the vertical plane for excellent aiming. "Sure-Set" yoke holds the fixture firmly in place. Integral ON/OFF switch and track polarity indicator are standard.

#### Dimming

Dimmable to 10% with forward phase/TRIAC dimming. For optimal performance, use forward phase/TRIAC dimmer specifically designed for LED lamps. Dimming performance may vary due to field conditions, including but not limited to, power quality, installation and wiring, and variations in dimmer production. Please reference the dimmer manufacturer's instructions for dimmer installation and further information.

#### Warranty

This fixture is covered by ConTech's full three (3) year replacement guarantee after date of purchase.

#### Listing

cCSAus Certified. Suitable for dry locations. Lamps are Energy Star listed.

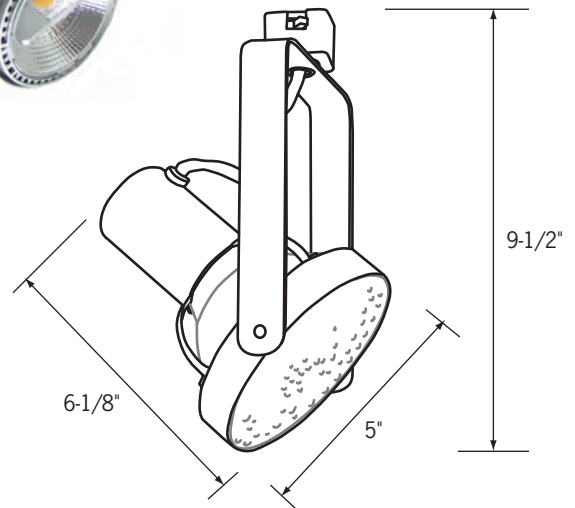
#### Fixture Compatibility

Standard ConTech track fixtures are cCSAus Certified as-is for use with ConTech's many track systems, as well as with Juno<sup>®1</sup> Lighting track. By changing the prefix in the part number, ConTech can install inserts which make our fixtures compatible with other manufacturers. Replace "CTL" with "HTL" for Halo<sup>®2</sup> track, "LTL" for Lightolier<sup>®3</sup> track, and "PTL" for Capri<sup>®4</sup> track. For more information, please consult our factory.

#### Lamp/Light Output (Performance)

Megaman LED lamp designed to last 25,000 hours  
RoHS compliant, contains no lead or mercury

Lamp Type	Lumens	CBCP	Base	CCT	CRI	W	LPW
PAR38 10 Degree	1150	20,000	E26	2700K, 3000K 3500K, 4000K	82+	15W	73LpW
PAR38 25 Degree	1400	8700	E26	2700K, 3000K 3500K, 4000K	82+	18W	78LpW
PAR38 45 Degree	1400	2950	E26	2700K, 3000K 3500K, 4000K	82+	18W	78LpW
PAR38 25 Degree	1200	7400	E26	3000K	95	18W	67LpW
PAR38 45 Degree	1200	2380	E26	3000K	95	18W	67LpW
PAR38 35 Degree	2100	7000	E26	2700K, 3000K 3500K, 4000K	82+	20W	105LpW
PAR38 20 Degree	2800	15,000	E26	2700K, 3000K 3500K, 4000K	82+	30W	93LpW
PAR38 40 Degree	3000	5500	E26	2700K, 3000K 3500K, 4000K	82+	30W	100LpW
PAR38 20 Degree	2350	12,500	E26	3000K	95	30W	78LpW
PAR38 40 Degree	2550	4650	E26	3000K	95	30W	85LpW



PAR38  
10-Degree



PAR38  
25-Degree



PAR38  
35-Degree



PAR38  
45-Degree



PAR38  
20-Degree



PAR38  
40-Degree

1. Juno is a registered trademark of Juno Lighting  
2. Halo is a registered trademark of Cooper Lighting  
3. Lightolier is a registered trademark of Philips Lighting  
4. Capri is a registered trademark of Philips Lighting

# CTL2838NML

Front Relamping Gimbal Line Voltage Track Fixture  
with PAR38 LED Lamp

## Ordering Information

Example Order:

Track System	Fixture	Lamp	Finish
<input type="text"/>	<input type="text"/>	<input type="text"/>	<input type="text"/>

**CTL** - ConTech  
**HTL** - Halo  
**LTL** - Lightolier  
**PTL** - Capri

**2838N**

**ML11D-1027K** - 15W PAR38, 10°, 2700K, 82 CRI  
**ML11D-1030K** - 15W PAR38, 10°, 3000K, 82 CRI  
**ML11D-1035K** - 15W PAR38, 10°, 3500K, 82 CRI  
**ML11D-1040K** - 15W PAR38, 10°, 4000K, 85 CRI  
**ML14D-2527K** - 18W PAR38, 25°, 2700K, 82 CRI  
**ML14D-2530K** - 18W PAR38, 25°, 3000K, 82 CRI  
**ML14D-2535K** - 18W PAR38, 25°, 3500K, 82 CRI  
**ML14D-2540K** - 18W PAR38, 25°, 4000K, 85 CRI  
**ML14D-4527K** - 18W PAR38, 45°, 2700K, 82 CRI  
**ML14D-4530K** - 18W PAR38, 45°, 3000K, 82 CRI  
**ML14D-4535K** - 18W PAR38, 45°, 3500K, 82 CRI  
**ML14D-4540K** - 18W PAR38, 45°, 4000K, 85 CRI  
**ML12D-2530KC** - 18W PAR38, 25°, 3000K, 95 CRI  
**ML12D-4530KC** - 18W PAR38, 45°, 3000K, 95 CRI  
**ML21D-3527K** - 20W PAR38, 35°, 2700K, 82 CRI  
**ML21D-3530K** - 20W PAR38, 35°, 3000K, 82 CRI  
**ML21D-3535K** - 20W PAR38, 35°, 3500K, 82 CRI  
**ML21D-3540K** - 20W PAR38, 35°, 4000K, 85 CRI  
**ML28D-2027K** - 30W PAR38, 20°, 2700K, 82 CRI  
**ML28D-2030K** - 30W PAR38, 20°, 3000K, 82 CRI  
**ML28D-2035K** - 30W PAR38, 20°, 3500K, 82 CRI  
**ML28D-2040K** - 30W PAR38, 20°, 4000K, 85 CRI  
**ML30D-4027K** - 30W PAR38, 40°, 2700K, 82 CRI  
**ML30D-4030K** - 30W PAR38, 40°, 3000K, 82 CRI  
**ML30D-4035K** - 30W PAR38, 40°, 3500K, 82 CRI  
**ML30D-4040K** - 30W PAR38, 40°, 4000K, 85 CRI  
**ML24D-2030KC** - 30W PAR38, 20°, 3000K, 95 CRI  
**ML26D-4030KC** - 30W PAR38, 40°, 3000K, 95 CRI

**B** - Black  
**P** - White  
**S** - Silver

1. Juno is a registered trademark of Juno Lighting  
 2. Halo is a registered trademark of Cooper Lighting  
 3. Lightolier is a registered trademark of Philips Lighting  
 4. Capri is a registered trademark of Philips Lighting