

CTL116ML

Low Voltage Flat Back Cylinder with 8W LED MR16 Lamp

Specifications/Features

Fixture

Designed for MR16 LED lamps and is ideal for residential, commercial, and retail lighting applications.

Die-cast full cutoff baffle conceals lamp for visual comfort.

This fixture features a rugged yoke for balanced fixture adjustment and full 350° rotation.

All styles are equipped with a convenient on/off switch and polarity indicator.

Must be used with track-mounted transformer LA2050NL. For mono-point use LA1816L.

Lamp/Electrical

Energy efficient, 8W MR16 LED lamp.

Designed to last 25,000 hours.

Color management system maintains color consistency over time and temperature.

Correlated Color Temperature of 2700K, 3000K, and 3500K, Color Rendering Index of 82.

Correlated Color Temperature of 4000K, Color Rendering Index of 85.

High CRI of 95+ available in 3000K.

12° Lumen output = 450 (56 Lm/W)

24° Lumen output = 600 (75 Lm/W), 520 (65Lm/W) for high CRI lamp

36° Lumen output = 600 (75 Lm/W), 520 (65Lm/W) for high CRI lamp

12° Beam spread with CBCP of 5,500.

24° Beam spread with CBCP of 3,000; 2,550 for high CRI lamp.

36° Beam spread with CBCP of 1,800; 1,300 for high CRI lamp.

Durable die-cast aluminum housing with lens to protect the LEDs and reflector.

Dimming

Dimmable to 10% with an electronic low-voltage (ELV) dimmer. Dimming performance may vary due to field conditions, including but not limited to, power quality, installation and wiring, and variations in dimmer production. Please reference the dimmer manufacturer's instructions for dimmer installation and further information.

Warranty

This fixture is covered by ConTech's full three (3) year replacement guarantee after date of purchase.

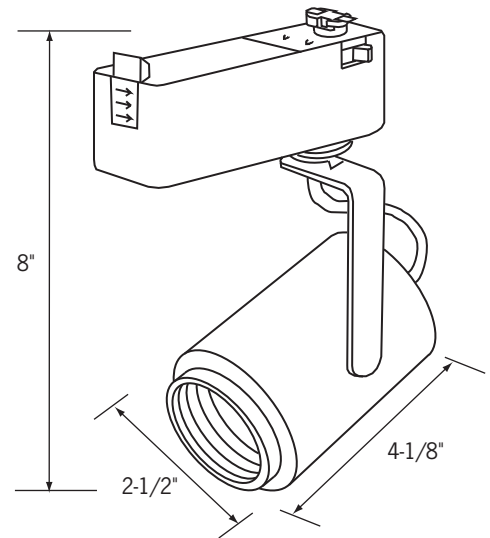
Listing

cCSAus Certified to UL standards. Suitable for dry locations.

Flood and Wide Flood lamps are Energy Star Listed.



CTL116ML Shown with
LA2050NL-P Track Mounted Transformer



Ordering Information

Example Order: -

Fixture	Lamp	Finish	Transformer/Mount	Accessories
<input type="text"/>	<input type="text"/>	<input type="text"/>	<input type="text"/>	<input type="text"/>

CTL116

- ML1227K** - 12°, 2700K, 82 CRI
- ML1230K** - 12°, 3000K, 82 CRI
- ML1235K** - 12°, 3500K, 82 CRI
- ML1240K** - 12°, 4000K, 85 CRI
- ML2427K** - 24°, 2700K, 82 CRI
- ML2430K** - 24°, 3000K, 82 CRI
- ML2435K** - 24°, 3500K, 82 CRI
- ML2440K** - 24°, 4000K, 85 CRI
- ML3627K** - 36°, 2700K, 82 CRI
- ML3630K** - 36°, 3000K, 82 CRI
- ML3635K** - 36°, 3500K, 82 CRI
- ML3640K** - 36°, 4000K, 85 CRI
- ML2430KC** - 24°, 3000K, 95 CRI
- ML3630KC** - 36°, 3000K, 95 CRI

- B** - Black
- P** - White

Track Mount

- LA2050NL-B** - Black
- LA2050NL-P** - White

Mono-Point

- LA1816L-B** - Black
- LA1816L-P** - White

Dichroic Polycarbonate Lenses

- MM032L-DPMR16** - Converts 2700K to 2200K
- MMR31L-DPMR16** - Converts 2700K to 2400K
- LF16** - **A, B, CL, G, LB, R, RO, Y, 73, LS, SL, UV**
2" Tempered glass lenses
- BD16A** - Barn Doors
- FA-16** - Honeycomb Louver
- LA-816** - Black Snoot
- THS-16** - Thermal Heat Shield

Color/Pattern Legend

- A** (Amber), **-B** (Blue), **-CL** (Clear), **-LB** (Light Blue),
- R** (Red), **-RO** (Rose), **-Y** (Yellow),
- 73** (Spread Lens), **-LS** (Linear Spread Lens),
- SL** (Soft Light), **-UV** (Optivex UV Filter)