

DATE

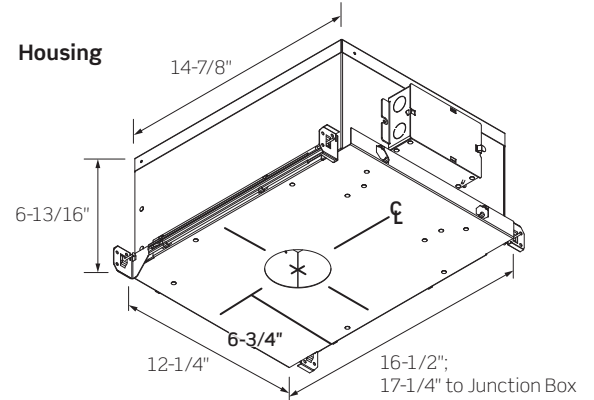
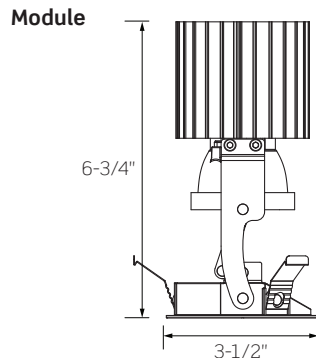
PROJECT

TYPE

R2ANCWD | 2-Inch Round Warm Dim Adjustable Downlight: New Construction Insulated Ceiling (IC)/StopAire™



Ceiling Opening: 3-1/4"
Ceiling Thickness: 1/2" - 1-1/2"



R2ANCWD	
WATTAGE	13W
LUMEN OUTPUT ¹	800lm
COLOR TEMPERATURE	3000K – 1800K; 3000K at full brightness, 1800K when dimmed
CRI	90+
BEAM SPREAD	16° Spot/24° Medium/31° Flood
INPUT WATTAGE	13W
INPUT CURRENT (A) 120V / 277V	.10 / .04
INPUT VOLTAGE	
Standard Driver	90-305V AC, 50/60Hz
Lutron Eco-System® Driver	120-277V AC, 50/60Hz
eldoLED ECOdrive / SOLOdrive	120-277V AC, 50/60Hz
DRIVER POWER FACTOR	> 0.90
TOTAL HARMONIC DISTORTION (THD)	< 20%
LISTINGS	cCSAus Certified using U.S. (UL) and Canadian (CSA) Standards; Suitable for Damp Locations The R2ANCWD1MVD Housing using the UMODWD1M or UMODWD1F LED Module can be used to comply with 2016 Title 24 Part 6 JA8 High Efficacy LED Light Source Requirements Conforms to Washington State Energy Code for Low Air Infiltration; tested in accordance with ASTM E283 Chicago Plenum Housings (-CP Option) are City of Chicago Environmental Air (CCEA) Rated
WARRANTY	Five (5) year replacement after date of purchase Emergency Battery Backup option covered by a one (1) year replacement guarantee after date of purchase
SYSTEM RATING	50,000 Hours @ 70% Lumen Maintenance

1. Approximate lumen output based on 3000K performance; see photometric test results for additional information

DATE	PROJECT	TYPE
------	---------	------

R2ANCWD | 2-Inch Round Warm Dim Adjustable Downlight: New Construction Insulated Ceiling (IC)/StopAire™

ORDERING INFORMATION

HOUSING + MODULE + TRIM = COMPLETE SYSTEM

Example Order: Housing: Module: Trim:

Housing

Housing/LED Series	Electrical/Dimming	Options
R2ANCWD1 - 13W/800lm	MVD¹ - 120-277V TRIAC, ELV and 0-10V Dimming MVD4² - Lutron Hi-lume 1% EcoSystem LED Driver with Soft-on, Fade-to-Black MVD6^{2,3} - 120-277V eldoLED ECOdrive 0-10V, Dim to 1% MVD7^{2,3} - 120-277V eldoLED ECOdrive DALI, Dim to 1% MVD8^{2,3} - 120-277V eldoLED SOLOdrive 0-10V, Dim to 0.1% MVD9^{2,3} - 120-277V eldoLED SOLOdrive DALI, Dim to 0.1%	CP⁴ - Chicago Plenum ER⁵ - Factory Installed 7W/200mA Emergency Battery Backup (Remote Test Switch)

Accessories

Standard Hanger Bars Supplied with Housing

- HB-30** - T-Bar Hanger Set
- RL-KIT** - Commercial Mounting Brackets
- HB-24** - 27-Inch Flat Hanger Bars for RL-KIT
- HBC-24** - 25-Inch C-Channel Hanger Bars for RL-KIT in Grid Ceiling Construction

1. TRIAC and ELV Dimming for 120V only
2. Lutron and eldoLED Dimming Options require above ceiling driver access
3. eldo LED Drivers are programmed for Linear Curve Dimming as standard; for Logarithmic Curve Dimming, consult factory
4. Chicago Plenum Option cannot be used in an Insulated Ceiling (IC) application, or with Emergency Battery Backup Option
5. Emergency Backup Option cannot be used in an IC (Insulated Ceiling) application and requires above ceiling battery access; 500 lumen nominal average

LED Module

LED Module	Color Temp Range/CRI	Beam Distribution	Module Accessories
UMOD - 2 Inch Universal LED Module	WD1 - 3000K-1800K, 90 CRI <ul style="list-style-type: none"> • 3000K at Full Brightness, 1800K when Dimmed • 90 CRI Maintained throughout Dimming Range 	S - 16° Spot M - 24° Medium F - 31° Flood	FA-47 - Black Accessory Holder; Accepts Two (2) Media Accessories require the FA-47 Holder R2ASNR1-B - Black Dual Ring Snoot: 60MM OD X 1 Inch Long FA-16 60MM - Black Honeycomb Louver LF16-** 60MM - 2-3/8 In. Dia. Lenses

Replacement Optics

- 2INOPTIC-S** - 14° Spot
- 2INOPTIC-M** - 26° Medium
- 2INOPTIC-F** - 33° Flood

**Color/Pattern Legend

- 73** (Spread Lens), **-LS** (Linear Spread Lens), **-SL** (Soft Light), **-SOL** (Solite), **-UV** (Optivex UV Filter), **-A** (Amber), **-B** (Blue), **-CL** (Clear), **-DPE** (Dichroic Peach), **-G** (Green), **-LB** (Light Blue), **-R** (Red), **-RO** (Rose), **-Y** (Yellow)

DATE	PROJECT	TYPE
------	---------	------

R2A SERIES | Trims for 2-Inch Round Adjustable Downlights: R2ANC and R2ARM Series

ROUND TRIM PLATE OPTIONS **NOTE:** R2A and R2RM Series Trims are NOT compatible with each other



C2302-PL



C2302 Series
Specification Grade
Full Cone Reflector
2-5/8 Inch ID, 3-5/8 Inch OD

Wet Location Certified when used with LF16 60MM Lens. Accepts one (1) FA-16 60MM Black Honeycomb Louver or one (1) LF16 60MM Tempered Glass Lens.

C2302 - Specification Grade Full Cone Reflector

BLK - Matte Black
CLR¹ - Clear
PL¹ - Platinum
WHT - Matte White

1. Available with White Painted Flange: add -WPF to end of part number



C2304-BLK



C2304 Series
Angle Cut Reflector
2-5/8 Inch ID, 3-5/8 Inch OD

C2304 - Angle Cut Reflector

BLK - Matte Black
CLR¹ - Clear
PL¹ - Platinum
WHT - Matte White

1. Available with White Painted Flange: add -WPF to end of part number



C2305-WHT

C2305 Series
Pinhole Trim
1-1/2 Inch ID, 3-5/8 Inch OD

C2305 - Pinhole Trim

BLK - Black
WHT - White



C2304WL-PL



C2304WL Series
Wet Location
Angle Cut Reflector
2-5/8 Inch ID, 3-5/8 Inch OD

Specification Grade Angle Cut Reflector; Clear Glass Lens provides Wet Location Certification

C2304WL - Wet Location Angle Cut Reflector

BLK - Matte Black
CLR¹ - Clear
PL¹ - Platinum
WHT - Matte White

1. Available with White Painted Flange: add -WPF to end of part number

ACCESSORY ORDERING INFORMATION

Accessories

- FA-16 60MM** - 2-3/8 In. Diameter Honeycomb Louver
- LF16-X² 60MM** - 2-3/8 In. Diameter Lenses

2. Lens Color/Pattern Legend

- 73** (Spread Lens), **-LS** (Linear Spread Lens), **-SL** (Soft Light), **-SOL** (Solite), **-UV** (Optivex UV Filter),
- A** (Amber), **-B** (Blue), **-CL** (Clear), **-DPE** (Dichroic Peach), **-G** (Green), **-LB** (Light Blue), **-R** (Red),
- RO** (Rose), **-Y** (Yellow)

Quantity

: These Model Options are eligible for **SpeedShip**

DATE

PROJECT

TYPE

R2A SERIES | Trims for 2-Inch Round Adjustable Downlights: R2ANC and R2ARM Series

SQUARE TRIM PLATE OPTIONS **NOTE:** R2A and R2RM Series Trims are NOT compatible with each other



C2302SQ-CLR-WHT



C2302SQ Series
Spec Grade Full Cone Reflector with Square Trim Plate
2-5/8 In. Sq Aperture
3-5/8 In. Sq Trim Frame

Wet Location Certified when used with LF16 60MM Lens. Accepts one (1) FA-16 60MM Black Honeycomb Louver or one (1) LF16 60MM Tempered Glass Lens.

Reflector
C2302SQ-BLK - Matte Black
C2302SQ-CLR - Clear
C2302SQ-PL - Platinum
C2302SQ-WHT - Matte White

Trim Plate
B - Matte Black
P - Matte White



C2304SQ-PL-BLK

C2304SQ Series
Angle Cut Reflector with Square Trim Plate
2-5/8 In. Sq Aperture
3-5/8 In. Sq Trim Frame

Specification Grade Angle Cut Reflector

Reflector
C2304SQ-BLK - Matte Black
C2304SQ-CLR - Clear
C2304SQ-PL - Platinum
C2304SQ-WHT - Matte White

Trim Plate
B - Matte Black
P - Matte White



C2305SQ-BLK

C2305SQ Series
Square Pinhole Trim
1-1/2 In. Sq Aperture
3-5/8 In. Sq Trim Frame

Reflector
C2305SQ - Pinhole Trim

Trim Plate
B - Matte Black
P - Matte White



C2304SQWL-BLK-B



C2304SQWL Series
Wet Location Angle Cut Reflector with Square Trim Plate
2-5/8 In. Sq Aperture
3-5/8 In. Sq Trim Frame

Specification Grade Angle Cut Reflector; Clear Glass Lens provides Wet Location Certification

Reflector
C2304SQWL-BLK - Matte Black
C2304SQWL-CLR - Clear
C2304SQWL-PL - Platinum
C2304SQWL-WHT³ - Matte White

Trim Plate
B - Matte Black
P - Matte White

3. Not available with Black Trim Plate

ACCESSORY ORDERING INFORMATION

Accessories

FA-16 60MM - 2-3/8 In. Diameter Honeycomb Louver
LF16-X⁴ 60MM - 2-3/8 In. Diameter Lenses

4. Lens Color/Pattern Legend

-73 (Spread Lens), -LS (Linear Spread Lens), -SL (Soft Light), -SOL (Solite), -UV (Optivex UV Filter),
-A (Amber), -B (Blue), -CL (Clear), -DPE (Dichroic Peach), -G (Green), -LB (Light Blue), -R (Red),
-RO (Rose), -Y (Yellow)

Quantity

: These Model Options are eligible for **SpeedShip**

DATE

PROJECT

TYPE

R2ANCWD | 2-Inch Round Warm Dim Adjustable Downlight: New Construction Insulated Ceiling (IC)/StopAire™

PRODUCT DETAILS

Construction

- Housing rated for Insulated Ceiling (IC) and StopAire™ applications; for use in direct contact with insulation materials
- 16-Gauge Galvanized Steel Housing, painted matte black inside and out
- Dual Extension Nailer Bars are adjustable for 16- and 24-inch center joists (14-1/4- to 24-1/2-inches). Nailer Bars enable easy installation and may be extended to rest on T-bar ceilings. Optional clip-on T-Bar Hangers available.
- Housing has a removable cover for driver access and utilizes a spring latch tether to provide secondary support of the Universal LED Module
- Quick-Connect design for easy installation and removal of Universal LED Module; three (3) Spring Steel Supports secure Module into housing/ceiling
- For MVD Dimming option, drivers are fully accessible from above or below the ceiling
- For MVD4, MVD6, MVD7, MVD8, and MVD9 Dimming options, drivers are only accessible from above the ceiling
- Output over-voltage, over-current and short circuit protection
- Approved for through-circuit wiring. Max.: eight (8) 12 AWG (4in/4out). Pre-wired junction box with knockouts and seven (7) 1/2-inch concentric knockouts.
- Many trim options available to complement any design style. See attached trim sheet for information and details.
NOTE: R2A and R2RM Series' trims are NOT compatible with each other
- Matte black painted mechanism is constructed of 16-gauge sheet metal, an aluminum die-cast heat-sink, an acrylic TIR optic, and a thermoplastic optic holder
- Mechanism adjustment features white graduation marks every 15° for consistent aiming, as well as a set screw to lock tilt adjustment in place

Performance Summary

- CCT Range from 3000K to 1800K, delivering up to 800 lumens (3000K at 100%, 1800K at ≤5%)
- High output multi-chip LED array arranged into a single LED package, enabling precise optical control
- Excellent fixture to fixture color consistency within a 2-step MacAdam Ellipse tolerance
- Precision TIR Optics produce smooth spot, medium and flood beam distributions; optics are interchangeable and can be field replaced
- Module features adjustability to 45° when installed in a 1/2- to 1-inch thick ceiling, to 30° in 1-1/2-inch ceiling. Using the optional FA-47 accessory holder clip with two lenses/louvers, module adjusts to 45° in 3/4-inch thick ceiling, with snoot to 45° in 5/8-inch thick ceiling.
- Driver with Class 2 output, RoHS Compliant
- All R2A Adjustable Downlights are available for non-dimming and dimming applications. For a list of compatible dimmers, refer to the Dimming Specification sheet.

DATE

PROJECT

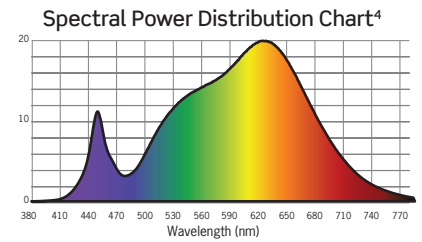
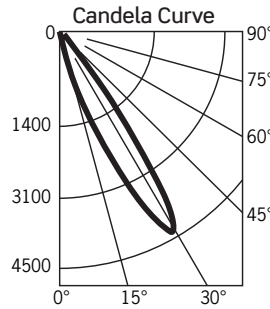
TYPE

R2A SERIES | 2-Inch Round Warm Dim Adjustable Downlight

PHOTOMETRICS

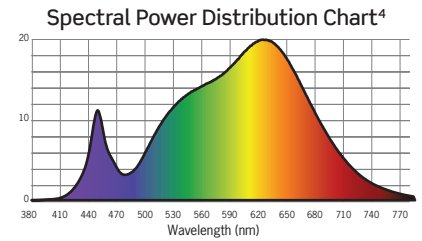
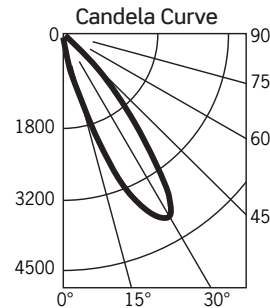
R2ANCWD1MVD/UMODWD1S/C2304-CLR

Fixture Aimed at 30° from Nadir
 Fixture Delivered Lumens: 419
 Total Watts@120V: 13.5
 Lumens Per Watt: 31
 Center Beam Candle Power: 165
 Beam Distribution: 16°
 Color Rendering Index (CRI)¹: 91
 Color Temperature (CCT)²: 2985K
 Designed for 50,000 Hour Lamp Life³
 LM-63 Test No. G20081209
 LM-79 Test No. S20081102



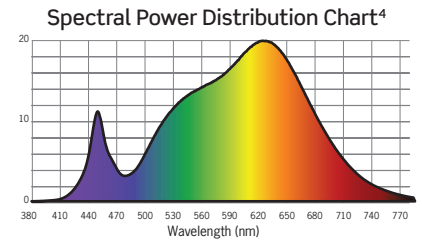
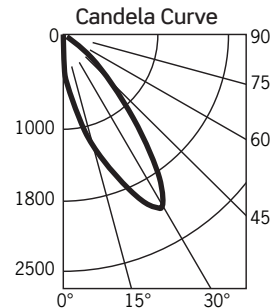
R2ANCWD1MVD/UMODWD1M/C2304-CLR

Fixture Aimed at 30° from Nadir
 Fixture Delivered Lumens: 758.4
 Total Watts@120V: 13.5
 Lumens Per Watt: 56.2
 Center Beam Candle Power: 164
 Beam Distribution: 24°
 Color Rendering Index (CRI)¹: 91
 Color Temperature (CCT)²: 2985K
 Designed for 50,000 Hour Lamp Life³
 LM-63 Test No. G20081205
 LM-79 Test No. S20081102



R2ANCWD1MVD/UMODWD1F/C2304-CLR

Fixture Aimed at 30° from Nadir
 Fixture Delivered Lumens: 676.6
 Total Watts@120V: 13.5
 Lumens Per Watt: 50.1
 Center Beam Candle Power: 312
 Beam Distribution: 31°
 Color Rendering Index (CRI)¹: 91
 Color Temperature (CCT)²: 2985K
 Designed for 50,000 Hour Lamp Life³
 LM-63 Test No. G20081201
 LM-79 Test No. S20081102



1. Accuracy of rendering colors 2. Color appearance of light source 3. Dependent on surrounding temperatures 4. Colors present within the light source

DATE

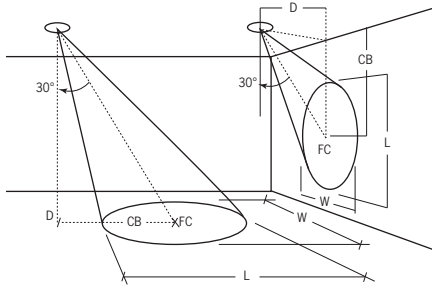
PROJECT

TYPE

R2A SERIES | 2-Inch Round Warm Dim Adjustable Downlight

PHOTOMETRICS

Application Data Notes Based Upon R2ANCWD1MVD/UMODWD1(S,M,F)/C2304-CLR:



- D:** Offset distance between the Luminaire to the Illuminated Plane, in feet
- CB:** Projected distance between the Luminaire and the Center Point where the Beam is aimed, in feet
- FC:** Horizontal or Vertical Illuminance at the Center Point where the Beam is aimed, in footcandles
- L:** Beam Length corresponding to the Perimeter where the Luminous Intensity is 50% of Center Beam Candlepower (CBCP), in feet
- W:** Beam Width corresponding to the Perimeter where the Luminous Intensity is 50% of Center Beam Candlepower (CBCP), in feet

Luminaires Aimed at 30° from Nadir

		ILLUMINANCE ON HORIZONTAL PLANE					ILLUMINANCE ON VERTICAL PLANE				
		D	CB	FC	L	W	D	CB	FC	L	W
SPOT	5	2.9	113	1.9	1.6	3	5.2	60	3.6	1.7	
	7.5	4.3	50	2.8	2.4	4	6.9	34	4.8	2.2	
	10	5.8	28	3.8	3.2	5	8.7	22	6	2.8	
	12.5	7.2	18	4.7	4.1	6	10.4	15	7.2	3.4	
MEDIUM	5	2.9	105	2.9	2.4	3	5.2	56	5.8	2.5	
	7.5	4.3	47	4.3	3.7	4	6.9	32	7.8	3.4	
	10	5.8	26	5.7	4.9	5	8.7	20	9.7	4.2	
	12.5	7.2	17	7.1	6.1	6	10.4	14	11.7	5.1	
FLOOD	5	2.9	55	3.7	3.1	3	5.2	29	8.2	3.2	
	7.5	4.3	24	5.5	4.6	4	6.9	17	10.9	4.3	
	10	5.8	14	7.3	6.2	5	8.7	11	13.7	5.4	
	12.5	7.2	9	9.2	7.7	6	10.4	7	16.4	6.4	

DATE

PROJECT

TYPE

R2A & RN2A SERIES | 2-Inch Adjustable Downlights: Dimming Specifications

- Incandescent 120V AC Dimmers adjust the light with *Forward Phase Control*, where the Dimmer “chops” the forward part of the AC Wave to deliver less or more power to the light source. No neutral wire connection required.
- Electronic Low Voltage 120VAC Dimmers adjust the light with *Reverse Phase Control*, where the dimmer “chops” the back part of the AC Wave to deliver less or more power to the light source. Neutral wire connection required.
- 0-10V DC Low Voltage Dimmers operate using two (2) low voltage dimming wires that are separate from the 120V or 277V AC Power. The Dimmer sends a variable output voltage to the luminaire based upon the dimming level. 10V Corresponds to undimmed operation, 5V to 50% and so on.
- Switching On/Off is controlled with the Line Voltage Power Input (120V or 277V AC) to the Dimmer and then dimming operation is controlled with the 0-10V DC low voltage wiring connection between the Dimmer and the LED Driver. The control signal runs on two (2) low voltage control wires (color coded Purple and Pink/Gray).
- Lutron EcoSystem Drivers provide continuous dimming from 1% to 100%. For a complete list of compatible Dimmers and Controls, please visit www.lutron.com
- Use DALI approved Controls for dimming eldoLED MVD7 (1%-100%) and MVD9 (0.1%-100%) options.

R2A, RN2A, R2AWD, RN2AWD, R2ASQ, RN2ASQ, R2ASQWD and RN2ASQWD Series*

Manufacturer	Product	Model	Dim. Options: 12D, 27D, MVD Light Output	Dim. Option: MVD6 Light Output	Dim. Option: MVD8 Light Output
Leviton	IllumaTech	IPI06-1LZ	1%-100%	NA	NA
Leviton	SureSlide	6631-2	1%-100%	NA	NA
Leviton	Vizia	VPE06	9%-100%	NA	NA
Leviton	Trimatron	6683-IW	4%-100%	NA	NA
Leviton	Decora	6161	15%-100%	NA	NA
Leviton	SureSlide	6633-P	0%-100%	NA	NA
Leviton	IllumaTech	IPE04	6%-100%	NA	NA
Leviton	IllumaTech	IP710-DLX	NA	1%-100%	0.1%-100%
Cooper	Devine	DLC03P	1%-100%	NA	NA
Cooper	Skye	SLC03P	0%-100%	NA	NA
Cooper	Decorator	DAL06P	0%-100%	NA	NA
Pass & Seymour	Titan	CD4FB-W	NA	1%-100%	0.1%-100%
Synergy		ISD BC	NA	1%-100%	0.1%-100%
Watt Stopper	Miro Decorator	DCLV1	NA	1%-100%	0.1%-100%
Lutron	Ariadni	TGCL-153P	4%-100%	NA	NA
Lutron	Ariadni	TG-600P	11%-100%	NA	NA
Lutron	Diva	DVCL-153P	0%-100%	NA	NA
Lutron	Diva	DV600P	0%-100%	NA	NA
Lutron	Diva	DVELV303P	6%-100%	NA	NA
Lutron	Diva	DVTV	NA	1%-100%	0.1%-100%
Lutron	Faetra	FAELV500	12%-100%	NA	NA
Lutron	Lumea	LG600P	5%-100%	NA	NA
Lutron	Maestro	MAELV600	11%-100%	NA	NA
Lutron	Nova	NFTV	NA	1%-100%	0.1%-100%
Lutron	Nova T	NTFTV	NA	1%-100%	0.1%-100%
Lutron	Skylark	S-603PG	4%-96%	NA	NA
Lutron	Skylark	S600P	1%-100%	NA	NA
Lutron	Skylark	SELV300P	7%-100%	NA	NA
Lutron	Skylark	CT103P	9%-100%	NA	NA

*277V TRIAC Dimming is not available

NOTES

1. If light is measured, then the dimming range is based on light output. If light is not measured, then the dimming range is based on the percentage of output current.
2. Testing was performed with a single fixture connected to dimmer.
3. Testing has been performed on these dimmers, but this does not imply any warranty of compatibility.
4. Dimming performance can be influenced by different loads, as well as variations in dimmer switches within the same model.
5. Dimmer maximum load rating with LED may differ from published traditional source dimmer ratings. Consult manufacturer for maximum dimmer information.
6. Consult factory for additional dimming information.