

# WS075

## Quadris Incandescent Decorative Metal Wet Location Wall Sconce

### Specifications/Features

#### Fixture

Metal faceplate over an acrylic diffuser provides a soft, luminous glow while illuminating the surrounding wall. Ideal for low glare applications.

Select from seven different faceplate designs in Antique Bronze, Black, Silver or White finishes.

ADA compliant for use throughout your building space.

Sconce measures 9-3/8"W x 10-1/4"H x 3-7/8"D

Plastic housing fitted with rubber seal for indoor and outdoor use.

Optional colored diffuser sold separately, standard color is white.

Custom faceplate designs and diffuser colors available; consult factory.

#### Lamp/Electrical

(1) 60W Incandescent E26 medium base lamp.

#### Mounting

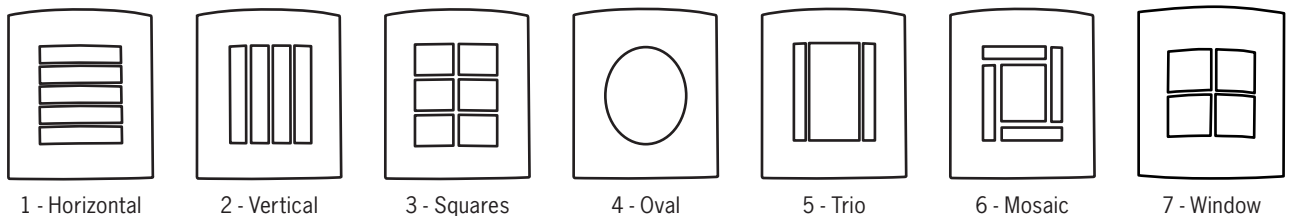
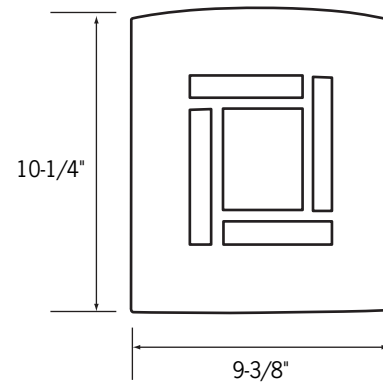
Hardware included for mounting of fixtures to octagonal or rectangular switch junction box.

#### Warranty

This fixture is covered by Con-Tech's one (1) year full replacement guarantee after date of purchase.

#### Labels/Usage

cULus listed. Suitable for wet locations.



### Ordering Information

Example Order:

Fixture	Diffuser Design	Finish
<input type="text"/>	<input type="text"/>	<input type="text"/>

**WS075160**

- 1 - Horizontal
- 2 - Vertical
- 3 - Squares
- 4 - Oval
- 5 - Trio
- 6 - Mosaic
- 7 - Window

- AB\*** - Antique Bronze
- B** - Black
- S** - Silver
- W** - White

*\*AB Finish not recommended for outdoor applications*

Optional Colored Acrylic Faceplate

- WS075A** - Amber
- WS075B** - Blue
- WS075G** - Green
- WS075R** - Red
- WS075Y** - Yellow