

DATE

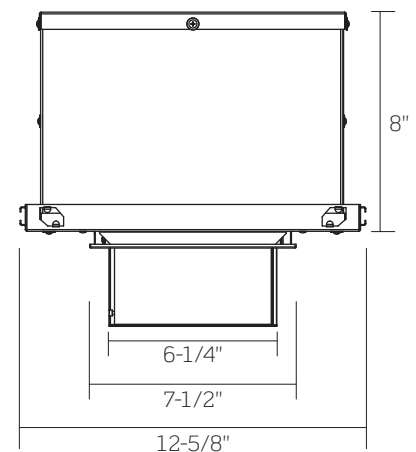
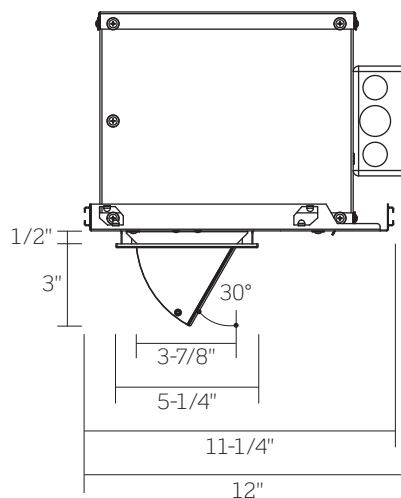
PROJECT





TYPE

R6W SERIES | 6-Inch Recessed Pull Down Wall Lighter: R6WSA StopAire™ Housing



Ceiling Opening: 4-7/8" by 7-1/4"
Ceiling Thickness: 1/2" - 1-1/2"



	R6WSA1	R6WSA2	R6WSA3	R6WSA4	R6WSA5
WATTAGE	20W	28W	35W	41W	47W
LUMEN OUTPUT ¹	2200Lm	3000Lm	4100Lm	4700Lm	5400Lm
COLOR TEMPERATURE	2700K / 3000K / 3500K / 4000K				
CRI	83 (80min) / 90+				
INPUT WATTAGE	20W	28W	35W	41W	47W
INPUT CURRENT (A) 120V/277V	.16/.07	.23/.10	.29/.13	.34/.15	.39/.17
INPUT VOLTAGE	120VAC / 277VAC , 50/60Hz				
Standard Driver (TRIAC, ELV, 0-10V)	120VAC / 277VAC , 50/60Hz				
Lutron HiLume® Driver	120VAC, 50/60Hz		N/A	N/A	N/A
Lutron Eco-System® Driver	120VAC / 277VAC , 50/60Hz		N/A	N/A	N/A
eldoLED ECOdrive and SOLOdrive	120VAC / 277VAC , 50/60Hz			N/A	N/A
DRIVER POWER FACTOR	> 0.90				
TOTAL HARMONIC DISTORTION (THD)	< 20%				
LISTINGS	    <p>cCSAus Certified to UL Standards; suitable for Damp locations CSA Spacing requirements for LED Series 5 (47W): Minimum of 2 feet between housing centers, 1/2-inch overhead clearance and 1 foot from housing center to side wall ENERGY STAR® Certified; eldoLED Dimming Options are not ENERGY STAR® Certified Conforms to Washington State Energy Code (WSEC) for low air infiltration; tested in accordance with ASTM E283 (2.0 CFM or less) CCEA Chicago Plenum Listed</p>				
WARRANTY	Five (5) year replacement after date of purchase				
SYSTEM RATING	50,000 Hours @ 70% Lumen Maintenance				

1. Lumen values are approximate, see photometric test results

DATE	PROJECT	TYPE
------	---------	------

R6W SERIES | 6-Inch Recessed Pull Down Wall Lighter: R6WSA StopAire™ Housing

ORDERING INFORMATION

Example Order: -

Housing/LED Series	Color Temp/CRI	Electrical	Dimming	Finish
R6WSA1 - 20W, 2200lm	83 (80min) CRI	12 - 120V	D1 - TRIAC, ELV, 0-10V	B - Matte Black
R6WSA2 - 28W, 3000lm	27K - 2700K	27 - 277V	D3 ² - Lutron Hi-lume 1% 2-Wire Driver (120V Forward Phase Only)	P - Matte White
R6WSA3 - 35W, 4100lm	30K - 3000K		D4 ² - Lutron Hi-lume 1% EcoSystem Driver with Soft-on, Fade-to-Black	
R6WSA4 - 41W, 4700lm	35K - 3500K		D6 ^{3,4} - eldoLED ECOdrive: 0-10V, 1% Dimming	
R6WSA5 - 47W, 5400lm	40K - 4000K		D7 ^{3,4} - eldoLED ECOdrive: DALI, 1% Dimming	
	90+ CRI		D8 ^{3,4} - eldoLED SOLOdrive: 0-10V, 0.1% Dimming	
	27KC - 2700K		D9 ^{3,4} - eldoLED SOLOdrive: DALI, 0.1% Dimming	
	30KC - 3000K			
	35KC - 3500K			
	40KC - 4000K			

1. TRIAC and ELV Dimming for 120V only
2. Lutron Hi-Lume 2-Wire Dimming available in 120V only, Eco-System available for both 120V and 277V. Lutron Dimming options are available for Series 1 and 2 only (20W and 28W), not available for use with LED Series 3 through 5 (35W through 47W).
3. All eldoLED Drivers are not available for use with LED Series 5 (47W)
4. eldoLED ECOdrive and SOLOdrive not available for use with LED Series 4 or 5 (41W or 47W)

Accessories

Standard Hanger Bars Supplied with Housing

HB-30 - T-Bar Hanger Set

Additional Accessories on Page 3

DATE

PROJECT

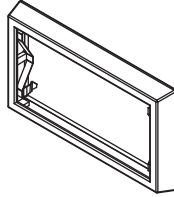
TYPE

R6W SERIES | Stealth Pull Down Wall Lighter Accessories

Accessory Holder

5-3/8" W, 3" H, 5/8" D

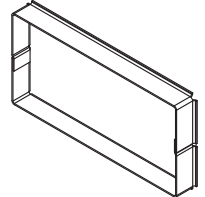
Will accept up to two (2) LF49 Lenses or FA-54 Louvers.



Snoot

4-5/8" W, 2-1/4" H, 1/2" D

Requires FA-19 Accessory Holder. For White (-P) finish, the inside surface is black.



FA-19 - Accessory Holder

Finish

B - Black
P - White

Quantity

FA-53 - Snoot

Finish

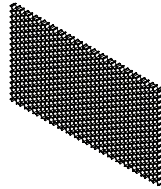
B - Black
P - White

Quantity

Honeycomb Louver

4-3/4" L x 2-15/16" H x 1/8" D

Glare control and shielding accessory. Requires FA-19 Accessory Holder. Black finish.



FA-54 - Honeycomb Louver

Quantity

Tempered Glass Lenses

4-3/4" L x 2-15/16" H x 1/8" D

Requires FA-19 Accessory Holder

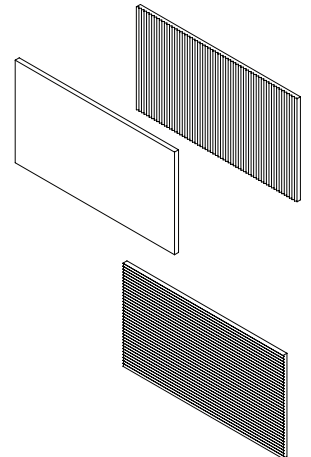
LF49 - Tempered Glass Lenses

Finish

73 - Spread Lens
LSH - Linear Spread Lens, Horizontal
Elongates beams horizontally
LSV - Linear Spread Lens, Vertical
Elongates beams vertically
SL - Soft Light
SOL - Solite
UV - Optivex UV Filter

A - Amber
B - Blue
CL - Clear
DPE - Dichroic Peach
G - Green
LB - Light Blue
R - Red
RO - Rose
Y - Yellow

Quantity



DATE

PROJECT

TYPE

R6W SERIES | 6-Inch Recessed Pull Down Wall Lighter: R6WSA StopAire™ Housing

PRODUCT DETAILS

Construction

- Specification Grade 6-inch 16 Gauge Galvanized Steel Insulated StopAire™ Housing; Die-Cast Aluminum Pull-down Head and Trim Frame
- Requires minimum 3-inch clearance around Housing from insulation material; thermal protection provided in case of improper insulation use
- Unique Heat Pipe/Radiator Finned Heat Sink provides exceptional heat dissipation, ensuring long life and consistent performance
- Constant tension Pull-down Head with vertical adjustment from 0° to 60° for aiming ease
- Locking mechanism with graduations for consistent fixture-to-fixture aiming
- Quick Connect Light Engine enables easy installation and removal
- Drivers are fully accessible from below the ceiling and can be easily removed
- Dual Nailer Hanger Bars are adjustable for 16- and 24- inch center joists (14-1/4- to 24-1/2- inch). Nailer Bars may be extended to rest on T-Bar ceilings; optional clip-on T-Bar Hangers available.
- Pre-wired Junction Box with eight (8) 1/2- inch and four (4) 3/4- inch Knockouts
- Output over-voltage, over-current and short circuit protection
- Approved for Through Circuit Wiring: max. eight (8) 12 AWG (4in/4out), wiring rated for at least 90°C
- Will accept up to two (2) LF49 Lenses, FA-54 Louvers or one (1) FA-53 Snoot by using the FA-19 Accessory Holder
- For accessory ordering information, see page 3

Performance Summary

- High performance LED luminaire with a smooth wide beam; well suited for any wall lighting application
- 2700K, 3000K, 3500K and 4000K Color Temperatures; 80 CRI min., 83 typical; high CRI of 90+ available
- Excellent fixture-to-fixture color consistency with a 3-step MacAdam Ellipse tolerance
- All R6W Wall Lighter Downlights are available for non-dimming and dimming applications; for compatible Dimmers, refer to the Dimming Specification Sheet
- UL8750 and Class 2 Compliant; RoHS Compliant, US only
- Assembled in the USA

DATE

PROJECT

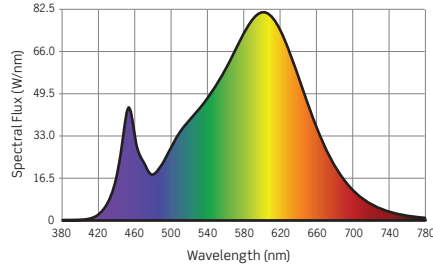
TYPE

R6W SERIES | 6-Inch Pull Down Wall Lighter: R6WNC New Construction Housing

PHOTOMETRICS: R6WNC630K12D

Color Rendering Index (CRI)¹: 82
Color Temperature (CCT)²: 3131K
Designed for 50,000 Hour Lamp Life³
LM-79 Test: 85820

Spectral Power Distribution Chart⁴



LED SERIES	TOTAL W @ 120V	DELIVERED LMS	LM/WATT	LM-63 TEST
R6WNC1 20W/SERIES 1	15.8W	2256Lm	141.5	G19032206
R6WNC2 28W/SERIES 2	21.9W	3038Lm	139.2	G19032204
R6WNC3 35W/SERIES 3	34.0W	4127Lm	135.1	85817
R6WNC4 41W/SERIES 4	40.7W	4741Lm	131.8	85818
R6WNC5 47W/SERIES 5	47.5W	5416Lm	127.2	85819
R6WNC6 57W/SERIES 6	56.3W	5951Lm	130.6	85514

1. Accuracy of Rendering Colors 2. Color Appearance of Light Source 3. Dependent on Surrounding Temperatures 4. Colors Present within the Light Source

PHOTOMETRIC MULTIPLICATION FACTORS

Lumen output values fluctuate based on wattage, CCT and CRI. To estimate lumen output of the various options, multiply 3000K, Standard CRI results using the following:

CCT MULTIPLIERS		
CCT	STD CRI	HIGH CRI
2700K	0.95	0.74
3000K	N/A	0.85
3500K	1.03	0.89
4000K	1.07	0.92

DATE

PROJECT

TYPE

R6W SERIES | 6-Inch Pull Down Wall Lighter: R6WNC New Construction Housing

PHOTOMETRICS: R6WNC630K12D

Mounted 3 Feet From Wall, 10' Mounting Height, Tilted 40 Degrees from Nadir ▲ is beam center

Distance from Ceiling	Single Unit						Multiple Units								
	0 FT	1 FT	2 FT	3 FT	4 FT	5 FT	4 FT on Center			6 FT on Center			8 FT on Center		
	▲						▲	▲	▲	▲	▲	▲	▲	▲	▲
1 FT	150	131	95	58	30	11	202	198	203	154	113	154	152	58	147
2 FT	159	140	104	67	36	15	230	222	231	169	134	168	162	74	158
3 FT	150	134	104	73	46	24	240	229	240	169	147	168	154	91	151
4 FT	100	92	95	56	39	24	183	178	182	127	115	127	106	79	105
5 FT	62	59	51	40	30	20	129	128	129	90	83	90	71	60	71
6 FT	38	37	33	28	22	16	92	92	92	64	61	64	50	44	50
7 FT	24	24	22	19	16	12	68	68	68	47	46	47	37	33	37
8 FT	16	16	15	14	12	10	51	52	51	35	36	35	28	26	28
9 FT	12	11	11	10	9	8	39	40	40	28	28	28	22	21	22

Mounted 4 Feet From Wall, 10' Mounting Height, Tilted 40 Degrees from Nadir ▲ is beam center

Distance from Ceiling	Single Unit						Multiple Units								
	0 FT	1 FT	2 FT	3 FT	4 FT	5 FT	4 FT on Center			6 FT on Center			8 FT on Center		
	▲						▲	▲	▲	▲	▲	▲	▲	▲	▲
1 FT	81	74	61	44	28	16	136	134	136	94	89	94	84	56	83
2 FT	95	87	71	53	35	21	168	165	169	116	109	116	100	72	99
3 FT	105	97	81	62	44	29	199	196	199	137	127	137	112	90	112
4 FT	86	80	68	54	41	29	178	178	178	124	114	124	97	83	97
5 FT	63	60	53	44	34	26	146	146	145	101	94	101	78	70	78
6 FT	44	43	39	33	27	21	114	114	113	78	75	78	61	55	61
7 FT	31	30	28	24	20	17	87	88	87	60	59	60	48	43	47
8 FT	22	21	20	18	15	13	68	69	68	47	48	47	37	35	37
9 FT	15	15	14	13	12	10	55	56	55	39	39	39	30	29	30

PHOTOMETRIC MULTIPLICATION FACTORS

R6WNC1 20W/SERIES 1	0.37
R6WNC2 28W/SERIES 2	0.51
R6WNC3 35W/SERIES 3	0.69
R6WNC4 41W/SERIES 4	0.79
R6WNC5 47W/SERIES 5	0.91
R6WNC6 57W/SERIES 6	1.00

DATE

PROJECT

TYPE

R6W SERIES | 6-Inch Recessed Pull-Down Wall Lighters: Dimming Specifications

- Incandescent 120VAC Dimmers adjust the light with “forward phase control,” where the dimmer “chops” the forward part of the AC Wave to deliver less or more power to the light source. No neutral wire connection required.
- Electronic Low Voltage 120VAC Dimmers adjust the light with “reverse phase control,” where the dimmer “chops” the back part of the AC Wave to deliver less or more power to the light source. Neutral wire connection required.
- 0-10V DC Low Voltage Dimmers operate using two (2) low voltage dimming wires that are separate from the 120V or 277V AC power. The dimmer sends a variable output voltage to the fixture based upon the dimming level. 10V Corresponds to undimmed operation, 5V to 50% and so on. Switching on/off is controlled with the line voltage power (120V or 277V AC) input to the dimmer and then dimming operation is controlled with the 0-10V DC low voltage wiring connection between the Dimmer and the LED Driver. The control signal runs on two (2) low voltage control wires (color coded Purple and Pink/Grey).
- Lutron HiLume and EcoSystem Drivers provide continuous dimming from 1%-100%; for a complete list of compatible Dimmers and Controls, visit www.lutron.com
- Use DALI approved controls for dimming eldoLED MVD7 (1%-100%) and MVD9 (0.1%-100%) options.

Manufacturer	Product	Model	TRIAC, ELV, 0-10V DIMMING	eldoLED ECOdrive 0-10V	eldoLED SOLOdrive 0-10V
			(12D, 27D or MVD Option*)	(12D6, 27D6 or MVD6 Option)	(12D8, 27D8 or MVD8 Option)
			Light Output	Light Output	Light Output
Leviton	IllumaTech	IPI06-1LZ	2%-100%	NA	NA
Leviton	SureSlide	6631-2	1%-100%	NA	NA
Leviton	Vizia	VPE06	12%-100%	NA	NA
Leviton	Trimatron	6683-IW	8%-100%	NA	NA
Leviton	Decora	6161	20%-100%	NA	NA
Leviton	SureSlide	6633-P	3%-100%	NA	NA
Leviton	IllumaTech	IPE04	7%-100%	NA	NA
Leviton	IllumaTech	IP710-DLX	NA	1%-100%	0.1%-100%
Pass & Seymour	Titan	CD4FB-W	NA	1%-100%	0.1%-100%
Synergy		ISD BC	NA	1%-100%	0.1%-100%
Watt Stopper	Miro Decorator	DCLV1	NA	1%-100%	0.1%-100%
Lutron	Ariadni	TGCL-153P	8%-100%	NA	NA
Lutron	Ariadni	TG-600P	15%-100%	NA	NA
Lutron	Diva	DVCL-153P	3%-100%	NA	NA
Lutron	Diva	DV600P	9%-100%	NA	NA
Lutron	Diva	DVELV303P	10%-100%	NA	NA
Lutron	Diva	DVTV	NA	1%-100%	0.1%-100%
Lutron	Faedra	FAELV500	15%-100%	NA	NA
Lutron	Lumea	LG600P	10%-100%	NA	NA
Lutron	Maestro	MAELV600	15%-100%	NA	NA
Lutron	Nova	NFTV	NA	1%-100%	0.1%-100%
Lutron	Nova T	NTFTV	NA	1%-100%	0.1%-100%
Lutron	Skylark	S-603PG	7%-96%	NA	NA
Lutron	Skylark	S600P	6%-100%	NA	NA
Lutron	Skylark	SELV300P	10%-100%	NA	NA
Lutron	Skylark	CT103P	12%-100%	NA	NA

*277V Triac Dimming is not available

NOTES

1. If light is measured, then the dimming range is based on light output. If light is not measured, then the dimming range is based on the percentage of output current.
2. Testing was performed with a single fixture connected to dimmer.
3. Testing has been performed on these dimmers, but this does not imply any warranty of compatibility.
4. Dimming performance can be influenced by different loads, as well as variations in dimmer switches within the same model.
5. Dimmer maximum load rating with LED may differ from published traditional source dimmer ratings. Consult manufacturer for maximum dimmer information.
6. Consult factory for additional dimming information.