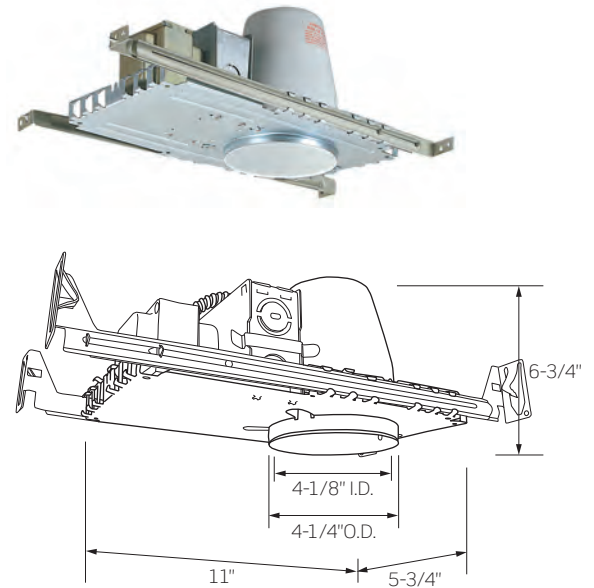


DATE	PROJECT	TYPE
------	---------	------

LVR1675-TH SERIES | 75W 4-In. Low Voltage New Construction Downlight

	LVR1675-TH	LVR1675-TH 277V
MAX LAMP	One (1) 12V 75W (Max.) MR16, GU5.3 Base	
DIMMING	Fully dimmable with Magnetic Low Voltage Dimmers	
TRANSFORMER RATING	INPUT	120VAC, 60Hz, .54A, 65VA
	OUTPUT	12VAC, 60Hz, 4.2A, 50W
CEILING OPENING	4-3/8-Inches	
MAX CEILING THICKNESS	1-1/2-Inch	
LISTINGS	cCSAus Certified; Suitable for Damp Locations	
WARRANTY	Housing and Transformer have a one (1) year replacement guarantee after date of purchase	



ORDERING INFORMATION

Example Order: LVR1675-TH HB-24

Housing/Voltage
LVR1675-TH - 120V/12V
LVR1675-TH 277V - 277V/12V

Options
RL-KIT - Commercial Mounting Brackets
HB-24 - 27-Inch Flat Hanger Bars for RL-KIT
HBC-24 - 25-Inch C-Channel Hanger Bars for RL-KIT in Grid Ceiling Construction
CTR18-P - LV Monopoint Adapter

See “Trims for 4-Inch Low Voltage Downlights” Specification Sheet for compatible Trim information and details

PRODUCT DETAILS

- New Construction Housing for use in any type of ceiling application
- For insulated ceilings, maintain a 3-inch clearance around Housing

Construction

- Sure-grip Springs permit housing to be lowered and precisely adjust to ceiling thicknesses from 1/2- to 1-1/2-inches
- Lamp Housing is removable through the ceiling aperture to access the Junction Box
- Magnetic Class H transformer with Molex Disconnect in Junction Box
- Junction Box is approved for through circuit wiring; four (4) 1/2-inch knockouts, two (2) 3/4-inch knockouts with Spring Latch Access Plates

- Dual extension Hanger Bars span from 15- to 25-1/4-inches with reversible placement feature
- Hanger Bars may be extended to rest on T-bar grid

Performance Summary

- Transformer is fully dimmable using Magnetic Low Voltage Dimmers
- Porcelain socket assembly with Molex Connector
- Transformer has Internal Thermal Protection

DATE

PROJECT

TYPE

LVR16 SERIES | Trims for 4-Inch Low Voltage Downlights

- All 4-inch Low Voltage Trims are cCSAus Certified and Suitable for Damp Locations; only Shower Trims are Wet Location Listed
- Max Lamp: 50W 12V MR-16 lamp, GU5.3 base, unless noted
- All Trims have White Trim finish unless specified
- For Trims designed for use with MR16 Lamps, ConTech Lighting provides a clear, Tempered Safety Glass Lens that should only be used with open MR16 Lamps; not with MR16 Lamps that contain an integral Glass Lens
- If use of MR16 with Front Glass is required, remove the factory provided Safety Lens; Lens should also be removed when using MR16 LED Lamps
- Consult factory for LED Lamp compatibility



CTR1601-P-WHT
Adjustable White Baffle
White Trim

CTR1601 Series

Adjustable Baffle
3-1/2" I.D., 5-1/2" O.D.

Deep Baffle traps stray light and conceals Lamp. May be used as Downlight or Adjustable Accent Light with 60° swing adjustment.

Trim can hold up to two (2) lenses with included Stepped Lens Holder: 45mm Lens on lower level 50mm Lens onto higher level.

A 75W Lamp may be used in LVR1675 housings. To convert trims, order the **1624 SOCKET-75W** Socket Replacement.



CTR1602-P-CLR
Adjustable Multiplier:
Clear Reflector, White Trim

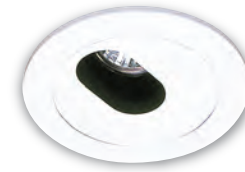
CTR1602 Series

Adjustable Multiplier
3-1/2" I.D., 5-1/2" O.D.

Highly polished Specular Reflector maximizes light intensity while concealing the light source. May be used as Downlight or Adjustable Accent Light with 35° swing adjustment.

Trim can hold up to two (2) lenses with included Stepped Lens Holder: 45mm Lens on lower level 50mm Lens onto higher level.

A 75W Lamp may be used in LVR1675 housings. To convert trims, order the **1624 SOCKET-75W** Socket Replacement.



CTR1603-P
White Slotted Wall Wash

CTR1603 Series

Slotted Wall Wash
1-5/16" I.D., 5-1/2" O.D.

Slot aperture permits maximum beam area adjustment for wall wash or concealed accent lighting effects. 50° Swing adjustment, 358° rotation. 50mm Lens.

A 75W Lamp may be used in LVR1675 housings. To convert trims, order the **1624 SOCKET-75W** Socket Replacement.

CTR1603-P - White Slotted Wall Wash,
Black Interior

Standard Trims: 5-1/2" OD

CTR1601-B - Black Baffle, Black Trim
CTR1601-P-WHT - White Baffle, White Trim

Cast Aluminum Trim: 5-1/8" OD

CTR1601-PA-WHT - White Baffle

CTR1602-B-BLK - Black Refl., Black Trim

CTR1602-P-BLK - Black Refl., White Trim

CTR1602-P-CLR - Clear Refl., White Trim

CTR1602-P-WHT - White Refl., White Trim



CTR1614-P-CLR
White Angled Wall Wash

CTR1614 Series

Angled Wall Wash
3-7/16" I.D., 5-1/16" O.D.

Adjustable lampholder; 55-75° aiming angle. 45mm lens.

A 75W Lamp may be used in LVR1675 housings. To convert trims, order the **1624 SOCKET-75W** Socket Replacement.

CTR1614-P-CLR - Angled Wall Wash:
Clear Reflector,
White Trim

Continued on page 2

DATE

PROJECT

TYPE

LVR16 SERIES | Trims for 4-Inch Low Voltage Downlights

- A Black finish Retaining Ring is standard on Adjustable Trims. For a White finish Retaining Ring, order part number **1623/24 WHITE**.
- These Adjustable Trims will only accept one (1) Lens:
 - If a FA-16 45MM Louver is required, remove the Safety Lens and use a Front Glass MR16 Lamp.
 - A series of 47mm tempered color or light controlling lenses may be used instead of the clear lens supplied.



CTR1607-P-WHT
Adjustable White Pin Spot
White Baffle & Trim

CTR1607 Series
Adjustable Pin Spot
2" I.D., 4-3/4" O.D.

Low profile gimbal design for aiming flexibility.
35° Swing adjustment.

Trim can hold up to two (2) lenses with included
Stepped Lens Holder: 45mm Lens on lower level
50mm Lens onto higher level.

A 75W Lamp may be used in LVR1675 housings.
To convert trims, order the **1624 SOCKET-75W**
Socket Replacement.



CTR1606-P
White Surface Adjustable

CTR1606 Series
Surface Adjustable
1-3/4" I.D., 4-15/16" O.D.

45° Max. vertical and 359° rotational aiming.
Die-cast aluminum construction. Front access
for re-lamping. 50mm lens.

A 75W Lamp may be used in LVR1675 housings.
To convert trims, order the **1624 SOCKET-75W**
Socket Replacement.



CTR1624-NK
Nickel Fully Adjustable
Square in Round

CTR1624 Series
Fully Adjustable Square in Round
5-1/2" O.D.

87° Vertical and 359° rotation adjustment.
Die-cast aluminum construction. Front access,
spring latch Lamp Retainer Ring (black finish).
47mm lens. Depth from ceiling: 2-1/2"

A 75W Lamp may be used in LVR1675 housings.
To convert trims, order the **1624 SOCKET-75W**
Socket Replacement.

CTR1607-P-WHT - Adjustable Pin Spot,
White Baffle & Trim

CTR1606-P - White Surface Adjustable

CTR1624-B - Black
CTR1624-NK - Nickel
CTR1624-P - White