


DATE

PROJECT

TYPE

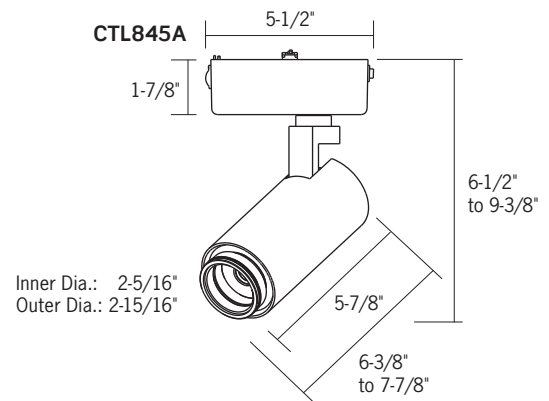
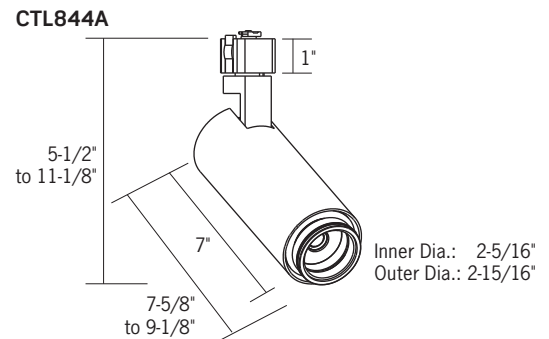
CTL84*A SERIES | Adjustable Beam LED Track Luminaires

	CTL844A	CTL845A
WATTAGE	15W	30W
LUMEN OUTPUT ¹	1100Lm	2100Lm
BEAM	Adjustable: 13° Narrow to 80° Wide Flood	
COLOR TEMPERATURE	2700K, 3000K, 3500K	
CRI	83 (80min)	
SYSTEM RATING	50,000 Hours @ 70% Lumen Maintenance	
DRIVER INPUT WATTAGE	15W	30W
DRIVER INPUT VOLTAGE	120VAC Dimming, 50/60Hz	
DIMMING TYPE	Incandescent (Leading Edge) or Trailing Edge Low Voltage (ELV); Dimming for 120V Only	
COMPATIBILITY	CTL Units are compatible with ConTech Lighting LT/LT2 Single Circuit/Two Circuit Track Systems and Luxbeam Track Systems, as well as Juno ^{®2} Lighting Trac-Master [™] Systems HTL Units are compatible with Halo ³ Power-Trac and Lazer Track Systems LTL Units are compatible with Lightolier ⁴ Lytespan [®] Systems	
 LISTING	cCSAus Certified to UL Standards on Base Models ENERGY STAR [®] Listed Suitable for dry locations	
WARRANTY	Five (5) year replacement after date of purchase	

1. Approximate Lumen output based on 3000K performance; see photometric test results for additional information
 2. Juno is a registered trademark of Juno Lighting
 3. Halo is a registered trademark of Cooper Lighting
 4. Lightolier is a registered trademark of Philips Lighting



Adjustable Beam Mechanism Extended



Ordering Information

Example Order: -

Track System	Luminaire	Beam	Color Temp/CRI	Driver Option	Finish
CTL - ConTech	844 - Vertical Mount	A - Adjustable;	83 (80min) CRI	D - Dimming	B - Black
HTL - Halo	15W/1100Lm	13° Narrow to	27 - 2700K		P - White
LTL - Lightolier	845 - Horizontal Mount	80° Wide Flood	3 - 3000K		S - Silver
	30W/2100Lm		35 - 3500K		

For accessory ordering information, see page 2

DATE

PROJECT

TYPE

CTL84* A SERIES | Adjustable Beam LED Track Luminaires

Accessory Ordering Information

- BD15** - Barn Doors
- FA-15-B** - Accessory Holder
- FA-16 50MM** - 2" Louver;
Requires FA-15-B Accessory Holder
- LF16-*** - 2" Dia. Tempered Glass Lenses;
Requires FA-15-B Accessory Holder

**** Available Color/Patterns**

- 73 (Spread Lens), -LS (Linear Spread Lens), -SL (Soft Light), -SOL (Solite), -UV (Optivex UV Filter),
- A (Amber), -B (Blue), -CL (Clear), -DPE (Dichroic Peach), -G (Green), -LB (Light Blue), -R (Red),
- RO (Rose), -Y (Yellow)

Product Details

Construction

- Adjustable beam mechanism designed to provide outstanding flexibility for dynamic displays in retail and gallery applications
- Sleek, high performance LED track fixture available in two (2) wattages: 15W (up to 1100 lumens) and 30W (up to 2100 lumens)
- 15W Option has an integrated driver and provides a sleek, cylindrical shape
- Both 15W and 30W options provide 360°+ horizontal (rotation) adjustment and 90° vertical aiming
- Integral ON/OFF switch and track polarity indicator are standard
- Can accept up to (1) LF16 lens or FA-16 50MM louver when used with the FA-15 Accessory Holder

Performance Summary

- Adjustable beam mechanism provides endless beam options from a 13° narrow to a 80° wide flood distribution. The beam can be easily adjusted by simply sliding the telescopic lens mechanism in for a wider beam and out for a more narrow beam
- Light engine consists of a single, high lumen output multi-chip LED array in 2700K, 3000K and 3500K color temperatures; CRI 80 min., 83 typical
- Excellent fixture-to-fixture color consistency within a 3-step MacAdam Ellipse tolerance
- Dimming is standard for all wattage options (120V only) and allows smooth illumination down to 10%; for dimmer compatibility, refer to Dimming Specifications sheet.

Fixture Compatibility

- Standard ConTech track luminaires (CTL Units) are cCSAus certified as-is for use with ConTech Lighting LT/LT2 Single Circuit/Two Circuit Track Systems and Luxbeam Track Systems, as well as Juno^{®1} Lighting Trac-Master™ Systems.
- By changing the prefix in the part number, ConTech can install inserts which make our fixtures compatible with other manufacturers. Replace “CTL” with “HTL” for Halo^{®2} Power-Trac and Lazer-Track systems, and “LTL” for Lightolier³ Lytespan™ systems. For more information, please consult factory.

1. Juno is a registered trademark of Juno Lighting
 2. Halo is a registered trademark of Cooper Lighting
 3.. Lightolier is a registered trademark of Philips Lighting

DATE

PROJECT

TYPE

CTL84*A SERIES | Adjustable Beam LED Track Luminaires

Photometrics

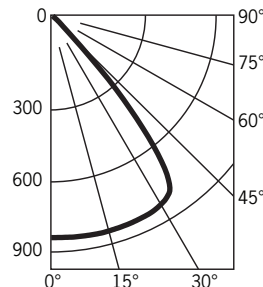
CTL844A3D

Fixture Delivered Lumens: 1172
 Total Watts@120V: 14.2
 Lumens Per Watt: 82.5
 Center Beam Candle Power: 832
 Beam Distribution: 13° Narrow
 77° Wide
 Spacing Criterion: 1.15
 Color Rendering Index (CRI)¹: 83
 Color Temperature (CCT)²: 2996K
 Designed for 50,000 Hour Lamp Life³
 LM-63 Test No. 87460
 LM-79 Test No. 87460

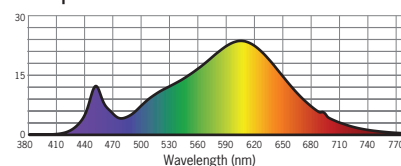
Intensity Distribution

DISTANCE (FT.)	FOOTCANDLES (FC)	BEAM DIAMETER (FT.)
4'	52.0	5.5
6'	23.1	8.2
8'	13.0	11.0
10'	8.3	13.7
12'	5.8	16.4
14'	4.2	19.2

Candela Curve



Spectral Power Distribution Chart⁴



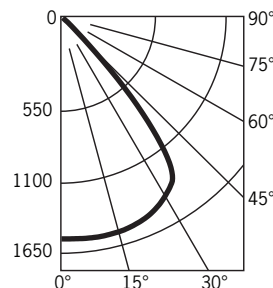
CTL845A3D

Fixture Delivered Lumens: 2155
 Total Watts@120V: 30.1
 Lumens Per Watt: 71.6
 Center Beam Candle Power: 1545
 Beam Distribution: 14° Narrow
 79° Wide
 Spacing Criterion: 1.15
 Color Rendering Index (CRI)¹: 83
 Color Temperature (CCT)²: 2996K
 Designed for 50,000 Hour Lamp Life³
 LM-63 Test No. 87462
 LM-79 Test No. 87460

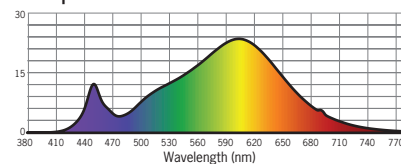
Intensity Distribution

DISTANCE (FT.)	FOOTCANDLES (FC)	BEAM DIAMETER (FT.)
4'	96.6	5.3
6'	42.9	7.9
8'	24.1	10.6
10'	15.5	13.2
12'	10.7	15.9
14'	7.9	18.5

Candela Curve



Spectral Power Distribution Chart⁴



1. Accuracy of rendering colors 2. Color appearance of light source 3. Dependent on surrounding temperatures 4. Colors present within the light source

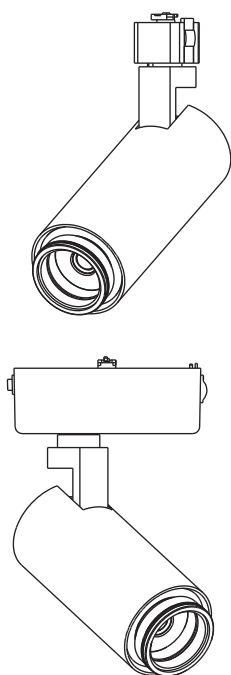
DATE

PROJECT

TYPE

DIMMING SPECIFICATIONS | Adjustable Beam LED Track Luminaires: CTL844A, CTL845A

- Incandescent 120VAC dimmers adjust the light with “forward phase control,” where the dimmer “chops” the forward part of the AC wave to deliver less or more power to the light source. No neutral wire connection required.
- Electronic low voltage 120VAC dimmers adjust the light with “reverse phase control,” where the dimmer “chops” the back part of the AC wave to deliver less or more power to the light source. Neutral wire connection required.
- Lutron HiLume drivers provide continuous dimming from 1%-100%. For a complete list of compatible dimmers and controls, please visit www.lutron.com



			CTL84 A Series: “D” Driver Option	
			Light Output	
Manufacturer	Product	Model	15W Low %	30W Low %
Leviton	Decora	6161	15% - 100%	19% - 100%
Leviton	IllumaTech	IPI06-1LZ	N/A	1% - 100%
Leviton	IllumaTech	IPE04	6% - 100%	9% - 100%
Leviton	SureSlide	6631-2	1% - 100%	0% - 100%
Leviton	SureSlide	6633-P	0% - 100%	1% - 100%
Leviton	Trimatron	6683-IW	4% - 100%	6% - 100%
Leviton	Vizia	VPE06	10% - 100%	13% - 100%
Cooper	Decorator	DLC03P	1% - 100%	3% - 100%
Cooper	Devine	DAL06P	1% - 100%	1% - 100%
Cooper	Skye	SLC03P	0% - 100%	5% - 100%
Lightolier	Momentum	ZP260QEW	8% - 100%	10% - 97%
Lutron	Diva	DVCL-153P	3% - 100%	0% - 99%
Lutron	Diva	DV600P	0% - 100%	6% - 100%
Lutron	Diva	DVELV303P	7% - 100%	9% - 99%
Lutron	Faedra	FAELV500	12% - 100%	15% - 100%
Lutron	Glyder	GL-600P	N/A	13% - 100%
Lutron	Lumea	LG600P	5% - 100%	6% - 100%
Lutron	Maestro	MAELV600	11% - 100%	15% - 100%
Lutron	Skylark	S-603PG	4% - 91%	N/A
Lutron	Skylark	S600P	1% - 100%	N/A
Lutron	Skylark	SELV300P	7% - 100%	10% - 98%
Lutron	Skylark Contour	CT103P	9% - 100%	10% - 99%
Lutron	Toggler	TGCL-153P	4% - 100%	7% - 100%
Lutron	Toggler	TG-600P	11% - 100%	N/A

Notes

1. Testing was performed with a single fixture connected to dimmer.
2. Testing has been performed on these dimmers, but this does not imply any warranty of compatibility.
3. Dimming performance can be influenced by different loads, as well as variations in dimmer switches within the same model.
4. Dimmer maximum load rating with LED may differ from published traditional source dimmer ratings. Consult manufacturer for maximum dimmer information.
5. Consult factory for additional dimming information.