

CTL820N

PAR20 Gimbal Line Voltage Track Luminaire

Specifications/Features

Luminaire

2-Plane gimbal design permits maximum horizontal and vertical swivel for excellent aiming.
 "Sure-Set" yoke holds the luminaire firmly in place.
 Integral ON/OFF switch and track polarity indicator are standard.

Lamp

(1) 50W PAR20 Lamp (max.) 120V, E26 medium base.

Warranty

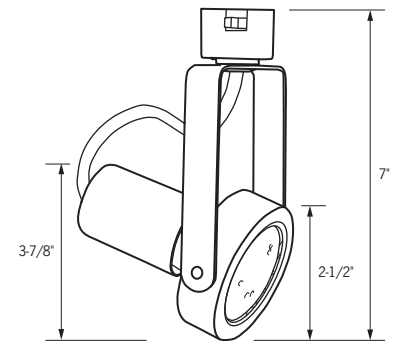
This luminaire is covered by ConTech's full one (1) year replacement guarantee after date of purchase.

Listing

cCSAus Certified. Suitable for dry locations.

Luminaire Compatibility

CTL Units are cCSAus certified as-is for use with ConTech Lighting LT/LT2 Single Circuit/Two Circuit Track Systems as well as Juno^{®1} Lighting Trac-Lites[™] (R) and Trac-Master[™] (T, TU) Track Systems. By changing the prefix in the part number, ConTech can install inserts which make our luminaires compatible with other manufacturers. Replace "CTL" with "HTL" for Halo² Power-Trac (L64, L65) and Lazer (LZR) Track Systems, "LTL" for Lightolier³ Lytespan[®] 6000/1/2 Track Systems. For more information, please consult factory.



Ordering Information

Example Order: -

Track System	Luminaire	Finish
<input type="text"/>	<input type="text"/>	<input type="text"/>
CTL - ConTech HTL - Halo LTL - Lightolier	820N	B - Black P - White

1. Juno is a registered trademark of Juno Lighting
 2. Halo is a registered trademark of Cooper Lighting
 3. Lightolier is a registered trademark of Signify