

CTL8130LN

PAR30LN Front Relamping Gimbal Line Voltage Track Fixture

Specifications/Features

Fixture

Two-plane gimbal design permits 360° horizontal swivel and 150° adjustability in the vertical plane for excellent aiming.
 Front re-lamping with grooved baffle inserts.
 Sure-Set yoke holds the fixture firmly in place.
 Integral ON/OFF switch and track polarity indicator are standard.
 Will accept two (2) LF20 Lenses or LA-45 Louvers when used with the FA-8130 Accessory Holder.

Lamp

(1) 75W PAR30LN Lamp (max.) 120V, E26 medium base.

Warranty

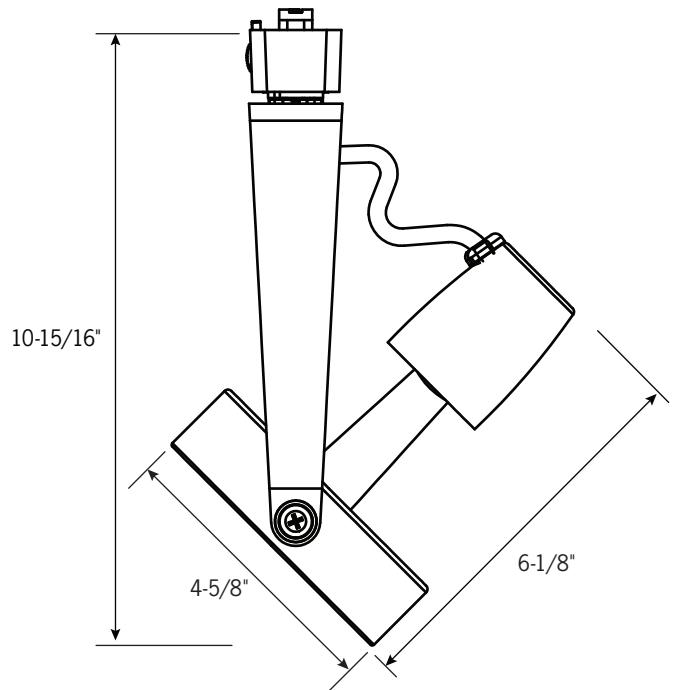
This complete fixture is covered by ConTech's full one (1) year replacement guarantee after date of purchase.

Listing

cCSAus Certified. Suitable for dry locations.

Fixture Compatibility

Standard ConTech track fixtures are cCSAus Certified as-is for use with ConTech's many track systems, as well as with Juno®1 Lighting track. By changing the prefix in the part number, ConTech can install inserts which make our fixtures compatible with other manufacturers. Replace "CTL" with "HTL" for Halo®2 track, "LTL" for Lightolier®3 track, and "PTL" for Capri®4 track. For more information, please consult our factory.



Ordering Information

Example Order: -

Track System

Fixture

Finish

Accessory Holder

Accessories

CTL - ConTech
HTL - Halo
LTL - Lightolier
PTL - Capri

8130LN

B - Black
P - White

FA-8130-(B,P,S)

LF20 - **A, B, CL, G, LB, R, RO, Y, 73, LS, SL, UV**
 3-3/4" Dia. tempered glass lenses
LA-37-(B,P,S) - Egg-Crate Louver
BD830 - Black Barn Doors

Color/Pattern Legend

-A (Amber), **-B** (Blue), **-CL** (Clear), **-G** (Green),
-LB (Light Blue), **-R** (Red), **-RO** (Rose), **-Y** (Yellow),
-73 (Spread Lens), **-LS** (Linear Spread Lens),
-SL (Soft Light), **-UV** (Optivex UV Filter)

1. Juno is a registered trademark of Juno Lighting
 2. Halo is a registered trademark of Cooper Lighting
 3. Lightolier is a registered trademark of Philips Lighting
 4. Capri is a registered trademark of Philips Lighting