

CTL8130

PAR30 Front Relamping Gimbal Line Voltage Track Luminaire

Specifications/Features

Luminaire

Two-plane gimbal design permits 360° horizontal swivel and 150° adjustability in the vertical plane for excellent aiming.
 Front re-lamping with grooved baffle inserts.
 Sure-Set yoke holds the fixture firmly in place.
 Integral ON/OFF switch and track polarity indicator are standard.
 Will accept two (2) LF20 Lenses or LA-45 Louvers when used with the FA-8130 Accessory Holder.

Lamp

(1) 75W PAR30 Lamp (max.) 120V, E26 medium base.

Warranty

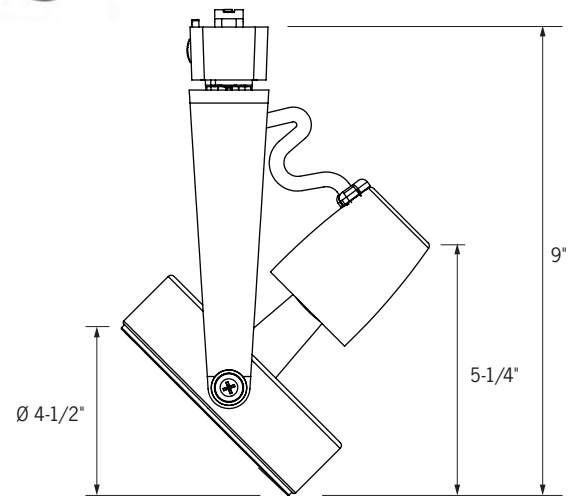
This complete luminaire is covered by ConTech's full one (1) year replacement guarantee after date of purchase.

Listing

cCSAus Certified. Suitable for dry locations.

Luminaire Compatibility

CTL Units are cCSAus certified as-is for use with ConTech Lighting LT/LT2 Single Circuit/Two Circuit Track Systems as well as Juno^{®1} Lighting Trac-Lites[™] (R) and Trac-Master[™] (T, TU) Track Systems. By changing the prefix in the part number, ConTech can install inserts which make our luminaires compatible with other manufacturers. Replace "CTL" with "HTL" for Halo² Power-Trac (L64, L65) and Lazer (LZR) Track Systems, "LTL" for Lightolier³ Lytespan[®] 6000/1/2 Track Systems. For more information, please consult factory.



Ordering Information

Example Order: -

Track System	Luminaire	Finish
<input type="text"/>	<input type="text"/>	<input type="text"/>

CTL - ConTech
HTL - Halo
LTL - Lightolier

8130

B - Black
P - White

Accessory Holder
<input type="text"/>

FA-8130-(B,P)

Accessories
<input type="text"/>

LF20-* - 3-3/4" Dia. Tempered Glass Lenses
LA-37-(B,P) - Egg-Crate Louver
BD830 - Black Barn Doors

Color/Pattern Legend

-A (Amber), **-B** (Blue), **-CL** (Clear), **-G** (Green),
-LB (Light Blue), **-R** (Red), **-RO** (Rose), **-Y** (Yellow),
-73 (Spread Lens), **-LS** (Linear Spread Lens),
-SL (Soft Light), **-UV** (Optivex UV Filter)

1. Juno is a registered trademark of Juno Lighting
 2. Halo is a registered trademark of Cooper Lighting
 3. Lightolier is a registered trademark of Signify