


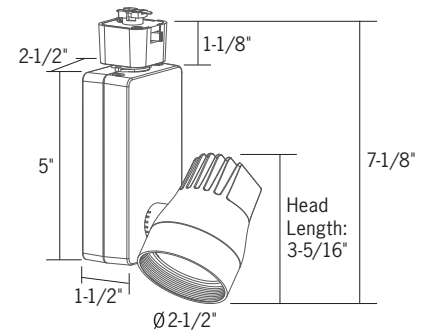
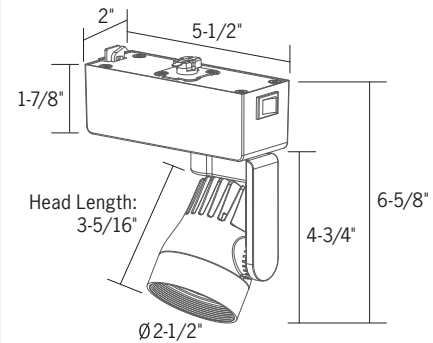
DATE

PROJECT

TYPE

CTL806 | O2 Mini LED Track Luminaires

	CTL8061	CTL8062	CTL8063
WATTAGE	10W	14W	20W
LUMEN OUTPUT ¹	1000Lm	1400Lm	1800Lm
COLOR TEMPERATURE	2700K, 3000K, 3500K, 4000K, 3000K Crisp White		
CRI	83 (80min) / 90+		
BEAM	12° Spot, 28° Medium, 39° Flood		
SYSTEM RATING	50,000 Hours @ 70% Lumen Maintenance		
DRIVER INPUT WATTAGE	10W	14W	20W
DRIVER INPUT VOLTAGE	120V VAC Dimming, 50/60Hz		
DIMMING TYPE	Leading Edge (Incandescent) or Trailing Edge (ELV)		
COMPATIBILITY	CTL Units are compatible with ConTech Lighting LT/LT2 Single Circuit/Two Circuit Track Systems and Luxbeam Track Systems, as well as Juno ^{®2} Lighting Trac-Master™ Systems HTL Units are compatible with Halo ³ Power-Trac and Lazer Track Systems LTL Units are compatible with Lightolier ⁴ Lytespan [®] Systems		
 LISTING	cCSAus Certified to UL standards on base models Suitable for dry locations ENERGY STAR [®] Certified for all fixture variations except Crisp White DLC Listed for all models except Crisp White		
WARRANTY	Five (5) year replacement after date of purchase		



1. Lumen values are approximate, see photometric test results
 2. Juno is a registered trademark of Juno Lighting
 3. Halo is a registered trademark of Cooper Lighting
 4. Lightolier is a registered trademark of Philips Lighting

Ordering Information

Example Order: -

Track System	Luminaire	Orientation	Beam	Color Temp/CRI	Driver Option	Finish	
CTL - ConTech HTL - Halo LTL - Lightolier	8061 - 10W 1100Lm	H - Horizontal V - Vertical	S - 12° Spot M - 28° Medium F - 39° Flood	<i>83 (80min) CRI</i> 27 - 2700K 3 - 3000K 35 - 3500K 4 - 4000K	<i>90+ CRI</i> 27C - 2700K 3C - 3000K 35C - 3500K 4C - 4000K 3W - 3000K, Crisp White	D - Dimming	B - Black P - White S - Silver
	8062 - 14W 1400Lm						
	8063 - 20W 1800Lm						

For accessory ordering information, see page 2

DATE

PROJECT

TYPE

CTL806 | O2 Mini LED Track Luminaires

Accessory Ordering Information

Accessories

- 5500011** - 2" Diffusion Disc
- BD16A** - Barn Doors
- FA-16 60MM** - 2-3/8" Dia. Black Honeycomb Louver
- FA-43-(B,P,S)** - 1" Snoot/Accessory Holder
- LF16-**-60MM** - 2-3/8" Dia. Tempered Glass Lenses;
Requires FA-43 Snoot/Accessory Holder

Replacement Optics

- 2INOPTIC-S** - 2" TIR Optic, Spot Beam
- 2INOPTIC-M** - 2" TIR Optic, Medium Beam
- 2INOPTIC-F** - 2" TIR Optic, Flood Beam

**Color/Pattern Legend

-73 (Spread Lens), -LS (Linear Spread Lens), -SL (Soft Light), -SOL (Solite), -UV (Optivex UV Filter),
-A (Amber), -B (Blue), -CL (Clear), -DPE (Dichroic Peach), -G (Green), -LB (Light Blue), -R (Red), -RO (Rose), -Y (Yellow)

Product Details

Construction

- Constructed of die-cast aluminum, heat-sink and driver housing providing a sleek modern look
- Precision engineered acrylic molded optics provide superior beam control
- Lockable aiming adjustment:
Vertical Housing: 360°+ aiming horizontal rotation, 315°+ vertical rotation; head may be aimed straight upward
Horizontal Housing: 360°+ aiming horizontal rotation and 90° vertical rotation, 250° vertical rotation, 35° upward tilt (both directions)
- Integral ON/OFF switch and track polarity indicator are standard
- Can accept up to (2) LF16 60MM lens or FA-16 60MM Black Honeycomb Louvers when used with the FA-43 Snoot/Accessory Holder, ordered separately

Performance Summary

- High performance, small scale LED track luminaire
- Available in 12° Spot, 28° Medium and 39° Flood beam distributions; optics have been optically engineered to provide a smooth uniform beam, maximizing output and minimizing glare
- Optics can be easily changed in the field for optimal flexibility
- Select from 2700K, 3000K, 3500K and 4000K color temperatures; CRI 80 min., 83 typical; high CRI 90+ available
- A 3000K Crisp White LED option is available, delivering 90+ color rendering with additional violet wavelengths that enhance white visibility

- Excellent fixture-to-fixture color consistency within a 2-step MacAdam Ellipse tolerance
- Dimming is standard for all wattage options and allows smooth illumination down to 10% for dimmer compatibility, refer to Dimming Specifications sheet

Fixture Compatibility

- Standard ConTech track luminaires (CTL Units) are cCSAus certified as-is for use with ConTech Lighting LT/LT2 Single Circuit/Two Circuit Track Systems and Luxbeam Track Systems, as well as Juno^{®1} Lighting Trac-Master[™] Systems.
- By changing the prefix in the part number, ConTech can install inserts which make our fixtures compatible with other manufacturers. Replace "CTL" with "HTL" for Halo^{®2} Power-Trac and Lazer-Track systems, and "LTL" for Lightolier³ Lytespan[™] systems. For more information, please consult factory.

1. Juno is a registered trademark of Juno Lighting
2. Halo is a registered trademark of Cooper Lighting
3. Lightolier is a registered trademark of Philips Lighting

DATE

PROJECT

TYPE

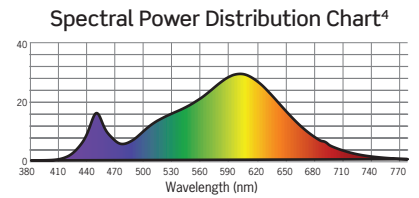
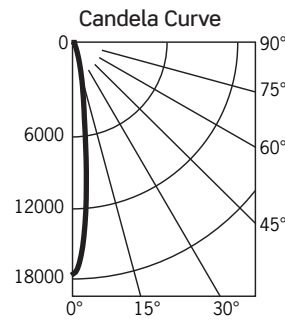
CTL806 | O2 Mini LED Track Luminaires

Photometrics

CTL8063VS3D

Fixture Delivered Lumens: 1509
 Total Watts@120V: 20.0
 Lumens Per Watt: 75.5
 Center Beam Candle Power: 17472
 Beam Distribution: 12°
 Spacing Criterion: 0.21
 Color Rendering Index (CRI)¹: 83
 Color Temperature (CCT)²: 3131K
 Designed for 50,000 Hour Lamp Life³
 LM-63 Test No. 86370
 LM-79 Test No. 86373

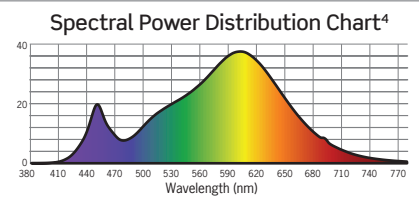
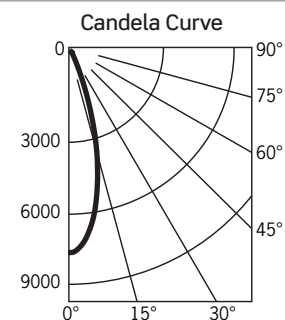
Intensity Distribution		
DISTANCE (FT.)	FOOTCANDLES (FC)	BEAM DIAMETER (FT.)
4'	1092.0	0.8
6'	485.3	1.3
8'	273.0	1.7
10'	174.7	2.1
12'	121.3	2.5
14'	89.1	2.9



CTL8063VM3D

Fixture Delivered Lumens: 1852
 Total Watts@120V: 20.3
 Lumens Per Watt: 91.2
 Center Beam Candle Power: 7634
 Beam Distribution: 28°
 Spacing Criterion: 0.46
 Color Rendering Index (CRI)¹: 83
 Color Temperature (CCT)²: 3106K
 Designed for 50,000 Hour Lamp Life³
 LM-63 Test No. 86371
 LM-79 Test No. 86374

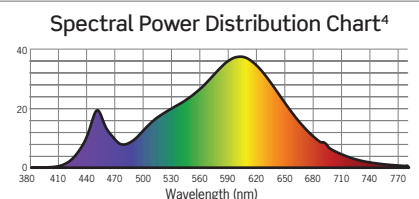
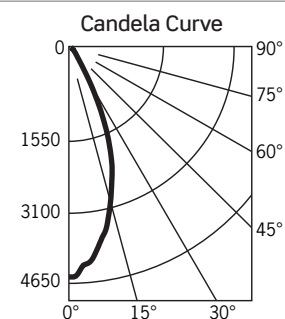
Intensity Distribution		
DISTANCE (FT.)	FOOTCANDLES (FC)	BEAM DIAMETER (FT.)
4'	477.1	1.9
6'	212.1	2.9
8'	119.3	3.8
10'	76.3	4.8
12'	53.0	5.7
14'	38.9	6.7



CTL8063VF3D

Fixture Delivered Lumens: 1897
 Total Watts@120V: 20.3
 Lumens Per Watt: 93.4
 Center Beam Candle Power: 4501
 Beam Distribution: 39°
 Spacing Criterion: 0.63
 Color Rendering Index (CRI)¹: 83
 Color Temperature (CCT)²: 3114K
 Designed for 50,000 Hour Lamp Life³
 LM-63 Test No. 86372
 LM-79 Test No. 86375

Intensity Distribution		
DISTANCE (FT.)	FOOTCANDLES (FC)	BEAM DIAMETER (FT.)
4'	281.3	2.5
6'	125.0	3.8
8'	70.3	5.1
10'	45.0	6.3
12'	31.3	7.6
14'	23.0	8.8



1. Accuracy of rendering colors 2. Color appearance of light source 3. Dependent on surrounding temperatures 4. Colors present within the light source

Photometric Multiplication Factors

Lumen output values fluctuate based on CCT. To estimate lumen output of the various CCT/CRI options, multiply 3000K (80 CRI min) results by the following:

CCT	Std. CRI	High CRI	Crisp White
2700K	.935	.703	N/A
3000K	N/A	.754	.787
3500K	1.0	.812	N/A
4000K	1.0	.87	N/A

To calculate 10W values, multiply results by 0.59
 for 14W values, multiply results by 0.78

DATE

PROJECT

TYPE

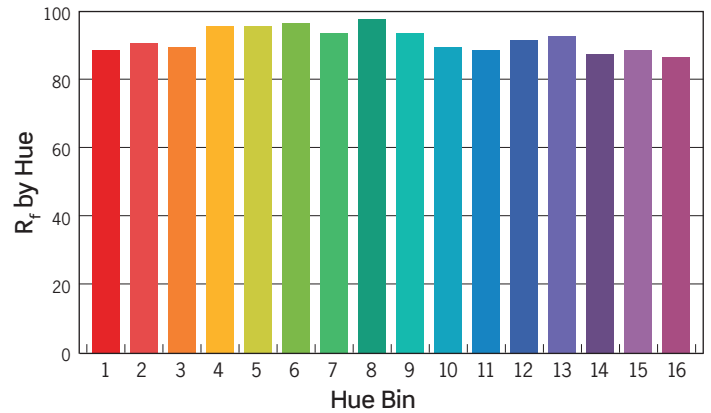
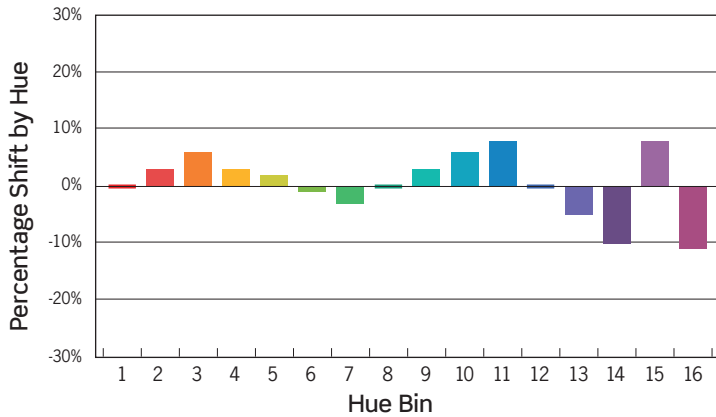
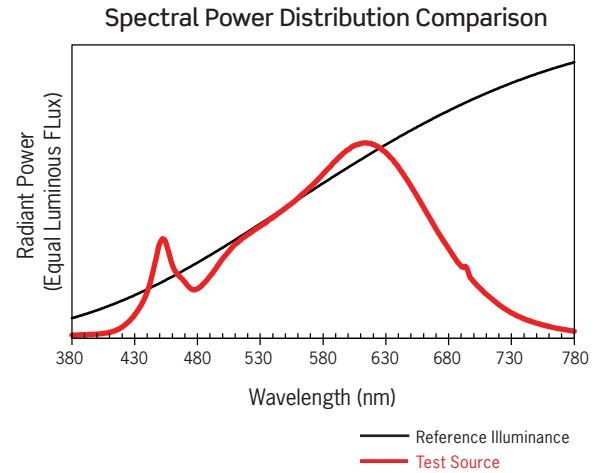
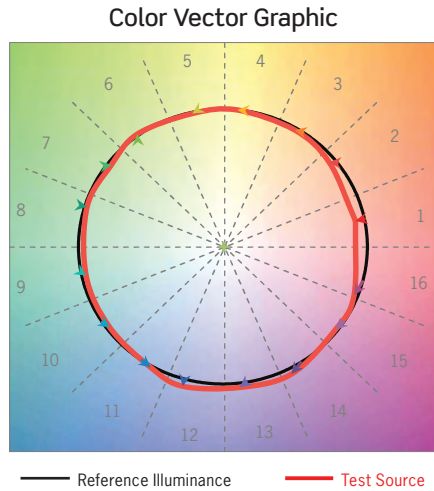
CTL806 | O2 Mini LED Track Luminaires

Photometrics

TM-30 Data: CTL8063VS3CD

ANSI/IES TM-30-18 Color Rendition Report Test No. S21012901

R_f	91
R_g	98
CCT(K)	30876K
D_{uv}	0.0008
u^i	0.2473
v^i	0.5208



HUE BIN	1	2	3	4	5	6	7	8	9	10	11	12	13	14	15	16
HUE SHIFT	0%	3%	6%	3%	2%	-1%	-3%	0%	3%	6%	8%	0%	-5%	-10%	-08%	-11%
R_f VALUE	88	90	89	95	95	96	93	97	93	89	88	91	92	87	88	86

Colors are for visual orientation purposes only

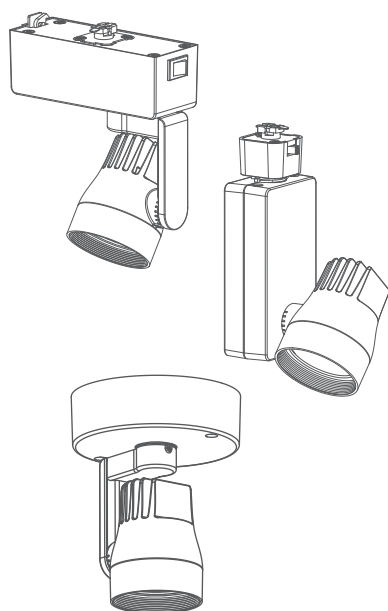
DATE

PROJECT

TYPE

DIMMING SPECIFICATIONS | CTL806 Series LED Luminaires

- Incandescent 120VAC dimmers adjust the light with “forward phase control,” where the dimmer “chops” the forward part of the AC wave to deliver less or more power to the light source. No neutral wire connection required.
- Electronic low voltage 120VAC dimmers adjust the light with “reverse phase control,” where the dimmer “chops” the back part of the AC wave to deliver less or more power to the light source. Neutral wire connection required.



		CTL806 Series: “D” Driver Option		
		Light Output		
Manufacturer	Model	10W	14W	20W
Leviton	6631-2	1% - 100%	1% - 100%	1% - 100%
Leviton	6633-P	1% - 100%	0% - 100%	2% - 100%
Leviton	IPI06-1LZ	1% - 100%	N/A	2% - 100%
Leviton	6683-IW	4% - 100%	4% - 100%	6% - 100%
Leviton	IPE04	6% - 100%	6% - 100%	8% - 100%
Leviton	VPE06	9% - 100%	10% - 100%	11% - 100%
Cooper	SLC03P	1% - 100%	0% - 100%	0% - 100%
Cooper	DAL06P	1% - 100%	1% - 100%	0% - 100%
Cooper	DLC03P	1% - 100%	1% - 100%	2% - 100%
Lightolier	ZP260QEW	7% - 100%	8% - 100%	N/A
Lutron	DVCL-153P	0% - 100%	3% - 100%	1% - 100%
Lutron	S600P	1% - 100%	1% - 100%	4% - 100%
Lutron	TGCL-153P	5% - 100%	4% - 100%	6% - 100%
Lutron	S-603PG	4% - 96%	4% - 91%	7% - 96%
Lutron	DV600P	5% - 100%	0% - 100%	8% - 100%
Lutron	LG600P	5% - 100%	5% - 100%	8% - 100%
Lutron	DVELV303P	6% - 100%	7% - 100%	8% - 100%
Lutron	SELV300P	7% - 100%	7% - 100%	8% - 100%
Lutron	CT103P	9% - 100%	9% - 100%	12% - 100%
Lutron	MAELV600	12% - 100%	11% - 100%	14% - 100%
Lutron	FAELV500	12% - 100%	12% - 100%	14% - 100%
Lutron	TG-600P	13% - 100%	11% - 100%	15% - 100%

Notes

1. Testing was performed with a single fixture connected to dimmer.
2. Testing has been performed on these dimmers, but this does not imply any warranty of compatibility.
3. Dimming performance can be influenced by different loads, as well as variations in dimmer switches within the same model.
4. Dimmer maximum load rating with LED may differ from published traditional source dimmer ratings. Consult manufacturer for maximum dimmer information.
5. Consult factory for additional dimming information.