

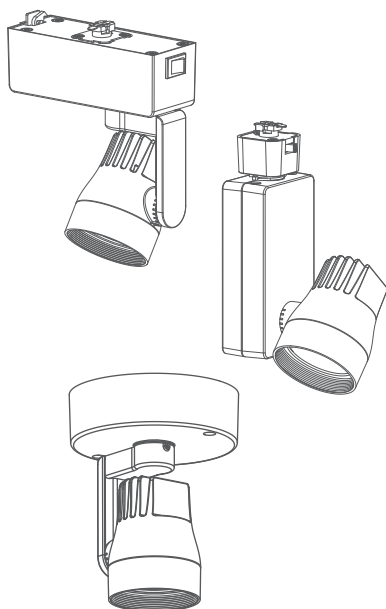
DATE

PROJECT

TYPE

DIMMING SPECIFICATIONS | CTL806 Series LED Luminaires

- Incandescent 120VAC dimmers adjust the light with “forward phase control,” where the dimmer “chops” the forward part of the AC wave to deliver less or more power to the light source. No neutral wire connection required.
- Electronic low voltage 120VAC dimmers adjust the light with “reverse phase control,” where the dimmer “chops” the back part of the AC wave to deliver less or more power to the light source. Neutral wire connection required.



| | | CTL806 Series: “D” Driver Option | | |
|--------------|-----------|----------------------------------|------------|------------|
| | | Light Output | | |
| Manufacturer | Model | 10W | 14W | 20W |
| Leviton | 6631-2 | 1% - 100% | 1% - 100% | 1% - 100% |
| Leviton | 6633-P | 1% - 100% | 0% - 100% | 2% - 100% |
| Leviton | IPI06-1LZ | 1% - 100% | N/A | 2% - 100% |
| Leviton | 6683-IW | 4% - 100% | 4% - 100% | 6% - 100% |
| Leviton | IPE04 | 6% - 100% | 6% - 100% | 8% - 100% |
| Leviton | VPE06 | 9% - 100% | 10% - 100% | 11% - 100% |
| Cooper | SLC03P | 1% - 100% | 0% - 100% | 0% - 100% |
| Cooper | DAL06P | 1% - 100% | 1% - 100% | 0% - 100% |
| Cooper | DLC03P | 1% - 100% | 1% - 100% | 2% - 100% |
| Lightolier | ZP260QEW | 7% - 100% | 8% - 100% | N/A |
| Lutron | DVCL-153P | 0% - 100% | 3% - 100% | 1% - 100% |
| Lutron | S600P | 1% - 100% | 1% - 100% | 4% - 100% |
| Lutron | TGCL-153P | 5% - 100% | 4% - 100% | 6% - 100% |
| Lutron | S-603PG | 4% - 96% | 4% - 91% | 7% - 96% |
| Lutron | DV600P | 5% - 100% | 0% - 100% | 8% - 100% |
| Lutron | LG600P | 5% - 100% | 5% - 100% | 8% - 100% |
| Lutron | DVELV303P | 6% - 100% | 7% - 100% | 8% - 100% |
| Lutron | SELV300P | 7% - 100% | 7% - 100% | 8% - 100% |
| Lutron | CT103P | 9% - 100% | 9% - 100% | 12% - 100% |
| Lutron | MAELV600 | 12% - 100% | 11% - 100% | 14% - 100% |
| Lutron | FAELV500 | 12% - 100% | 12% - 100% | 14% - 100% |
| Lutron | TG-600P | 13% - 100% | 11% - 100% | 15% - 100% |

Notes

1. Testing was performed with a single fixture connected to dimmer.
2. Testing has been performed on these dimmers, but this does not imply any warranty of compatibility.
3. Dimming performance can be influenced by different loads, as well as variations in dimmer switches within the same model.
4. Dimmer maximum load rating with LED may differ from published traditional source dimmer ratings. Consult manufacturer for maximum dimmer information.
5. Consult factory for additional dimming information.