

CTL7516

Low Voltage Faming Projector Track Luminaire

Specifications/Features

Luminaire

Distinctive extruded aluminum ribbed housing has diecast aluminum components with variable focusing capability. Integral on/off switch and visible polarity indicator in the track adapter. The yoke has a precise Sure-Set aiming adjustment. The framing projector has beam angles ranging from approximately 10° to 35° plus field angles from 25° to 50°. Included with each luminaire are the color frame (2-3/8" opening), pattern holder ("E" size, 1-1/4" opening), and four steel framing shutters. The shutters allow for beam forming capacity. Optional gobos are available (from others) to meet your design needs. Lamp is fully adjustable in three planes without tools to allow proper focusing. For further focusing control, the lenses are moveable within the luminaire housing using the adjustable knob. Accessories include a mono-point adapter (LA-18) and adjustable track lighting bracket with clamp, 5 ft. coiled cord and track adapter (LA-118).

Lamp/Electrical

(1) 75W max. MR16 lamp, 2-pin GU5.3 base.
On luminaires designed for use with MR16 lamps, ConTech Lighting provides a clear, tempered safety glass. This safety glass should only be used with open MR16 lamps, and not used with MR16 lamps that contain an integral glass lens. This safety glass should be removed if use of MR16 with front glass is required. Dimmable electronic low voltage transformer is concealed in the yoke assembly. Electronic auto-reset short circuit, overload, and thermal protection.
Input: 120V, 60Hz.
Output at maximum load: 11.75V, 40kHz.
Input Current at maximum load: .635A.
Load capacity with dimmers: 20-75 watts.
Output current at max. load: 6.35A.

Warranty

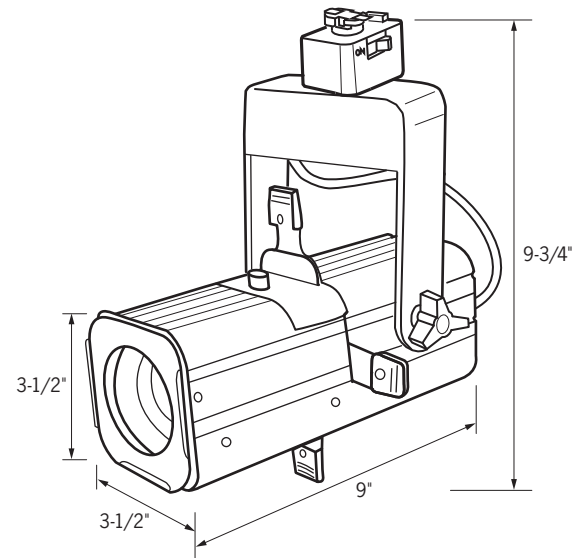
This luminaire is covered by ConTech's full one (1) year replacement guarantee after date of purchase.

Listing

cCSAus Certified. Suitable for dry locations.

Luminaire Compatibility

CTL Units are cCSAus certified as-is for use with ConTech Lighting LT/LT2 Single Circuit/Two Circuit Track Systems as well as Juno^{®1} Lighting Trac-Lites™ (R) and Trac-Master™ (T, TU) Track Systems. By changing the prefix in the part number, ConTech can install inserts which make our luminaires compatible with other manufacturers. Replace "CTL" with "HTL" for Halo² Power-Trac (L64, L65) and Lazer (LZR) Track Systems, "LTL" for Lightolier³ Lytespan[®] 6000/1/2 Track Systems. For more information, please consult factory.



Ordering Information

Example Order: –

Track System	Luminaire	Finish
<input type="text"/>	<input type="text"/>	<input type="text"/>
CTL - ConTech HTL - Halo LTL - Lightolier	7516	B - Black

1. Juno is a registered trademark of Juno Lighting
2. Halo is a registered trademark of Cooper Lighting
3. Lightolier is a registered trademark of Signify