

CTL602

Universal Lampholder Low Profile Side Swivel Line Voltage Track Fixture

Specifications/Features

Fixture

This fixture has a very low profile bracket that is well suited for close to ceiling or hidden applications. Side mounted socket bracket design reduces fixture depth. Sure-Set aiming adjustment holds set position accurately. May be track mounted or used in mono-point applications with the LA-18 mono-point accessory. Precise, rigid aiming and full 350° rotation. Integral ON/OFF switch and track polarity indicator are standard.

Lamp

(1) 50W PAR20, 75W PAR16, 75W PAR30 or 250W PAR38; 120V, E26 medium base.

Warranty

This fixture is covered by ConTech's full one (1) year replacement guarantee after date of purchase.

Listing

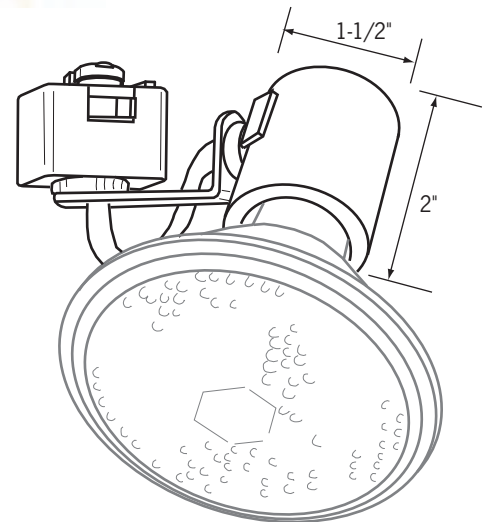
cCSAus Certified. Suitable for dry locations.

Fixture Compatibility

Standard ConTech track fixtures are cCSAus certified as-is for use with ConTech's many track systems, as well as with Juno^{®1} Lighting track. By changing the prefix in the part number, ConTech can install inserts which make our fixtures compatible with other manufacturers. Replace "CTL" with "HTL" for Halo^{®2} track, "LTL" for Lightolier^{®3} track, and "PTL" for Capri^{®4} track. For more information, please consult our factory.



**DISCONTINUED ITEM:
LIMITED INVENTORY**
Consult Factory for Availability



Shown With Short Neck PAR30 Lamp

Ordering Information

Example Order: -

| Track System | Fixture | Finish |
|----------------------|----------------------|----------------------|
| <input type="text"/> | <input type="text"/> | <input type="text"/> |

CTL - ConTech
HTL - Halo
LTL - Lightolier
PTL - Capri

602

B - Black with White Porcelain Socket
P - White

1. Juno is a registered trademark of Juno Lighting
2. Halo is a registered trademark of Cooper Lighting
3. Lightolier is a registered trademark of Philips Lighting
4. Capri is a registered trademark of Philips Lighting