

CTL5030

PAR30 Drama Line Voltage Track Fixture

Specifications/Features

Fixture

Stepped back design creates a minimal size impression. Fixture design conceals lamp (if PAR30LN is used, the lamp face will be even with aperture). Integral ON/OFF switch and track polarity indicator are standard. Will accept (2) LF20 lenses or (1) Egg Crate Louver (LA-37) within the aperture sleeve. (1) LF30 lens, Egg Crate Louver (LA-38) or Barn Doors (BD30) can sit within the FA-30 accessory holder.

Lamp

(1) 75W PAR30 lamp (max); 120V, E26 medium base.

Warranty

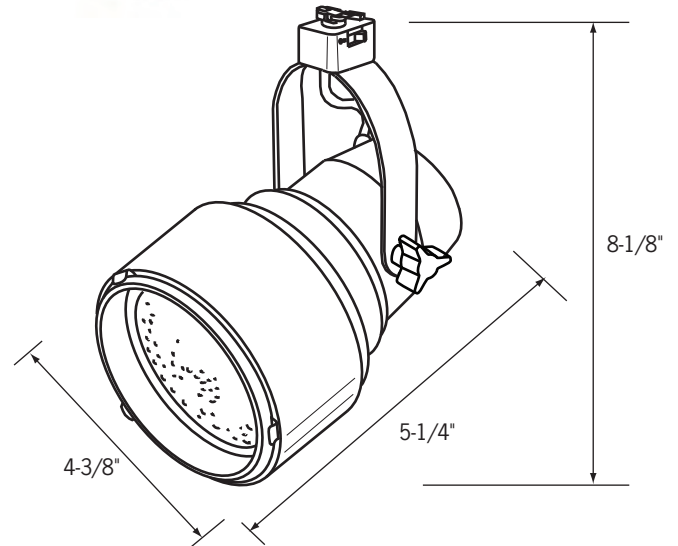
This fixture is covered by ConTech's full one (1) year replacement guarantee after date of purchase.

Listing

cCSAus Certified. Suitable for dry locations.

Fixture Compatibility

Standard ConTech track fixtures are cCSAus certified as-is for use with ConTech's many track systems, as well as with Juno^{®1} Lighting track. By changing the prefix in the part number, ConTech can install inserts which make our fixtures compatible with other manufacturers. Replace "CTL" with "HTL" for Halo^{®2} track, "LTL" for Lightolier^{®3} track, and "PTL" for Capri^{®4} track. For more information, please consult our factory.



Ordering Information

Example Order: —

Track System	Fixture	Finish	Accessory Holder	Accessories
<input type="text"/>	<input type="text"/>	<input type="text"/>	<input type="text"/>	<input type="text"/>
CTL - ConTech HTL - Halo LTL - Lightolier PTL - Capri	5030	B - Black P - White S - Silver	FA-30-(B, P, S)	For Use Within Aperture Sleeve: LF20 - A, B, CL, G, LB, R, RO, Y, 73, LS, SL, UV 3-3/4" Dia. tempered glass lenses LA-37 - Egg-Crate Louver For Use With Accessory Holder: LF30 - A, B, CL, G, LB, R, RO, Y, 73, LS, SL, UV 4-3/4" Dia. tempered glass lenses LA-38 - Egg-Crate Louver BD30 - Black Barn Doors

Color/Pattern Legend
-A (Amber), **-B** (Blue), **-CL** (Clear), **-G** (Green), **-LB** (Light Blue), **-R** (Red), **-RO** (Rose), **-Y** (Yellow), **-73** (Spread Lens), **-LS** (Linear Spread Lens), **-SL** (Soft Light), **-UV** (Optivex UV Filter)

1. Juno is a registered trademark of Juno Lighting
 2. Halo is a registered trademark of Cooper Lighting
 3. Lightolier is a registered trademark of Philips Lighting
 4. Capri is a registered trademark of Philips Lighting