

# CTL1638

## Universal Lampholder Adjustable Side Swivel Line Voltage Track Fixture

### Specifications/Features

#### Fixture

Adjustable housing collar permits a perfect fit between the fixture and any size PAR lamp, including short- and long-neck PAR30 lamps. Three arm knob is easily tightened; accurately holds aiming position. Offset bracket design mounts fixture close to track. May be track mounted or used in mono-point applications with the LA-18 mono-point accessory. Precise, rigid aiming and full 350° rotation. Integral ON/OFF switch and track polarity indicator are standard.

#### Lamp

(1) 50W PAR20, 75W PAR16, 75W PAR30 or 250W PAR38; 120V, E26 medium base.

#### Warranty

This fixture is covered by ConTech's full one (1) year replacement guarantee after date of purchase.

#### Listing

cCSAus Certified. Suitable for dry locations.

#### Fixture Compatibility

Standard ConTech track fixtures are cCSAus Certified as-is for use with ConTech's many track systems, as well as with Juno<sup>®1</sup> Lighting track. By changing the prefix in the part number, ConTech can install inserts which make our fixtures compatible with other manufacturers. Replace "CTL" with "HTL" for Halo<sup>®2</sup> track, "LTL" for Lightolier<sup>®3</sup> track, and "PTL" for Capri<sup>®4</sup> track. For more information, please consult our factory.



CTL1638 Shown with PAR16 Lamp



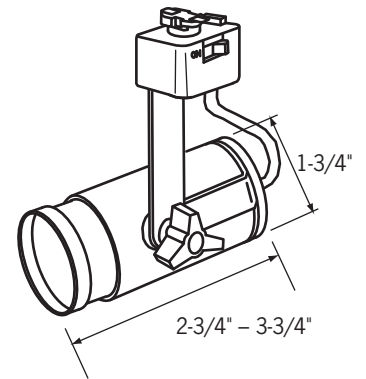
CTL1638 Shown with PAR20 Lamp



CTL1638 Shown with Short Neck PAR30 Lamp



CTL1638 Shown with PAR38 Lamp



### Ordering Information

Example Order:  -

Track System	Fixture	Finish
<input type="text"/>	<input type="text"/>	<input type="text"/>

**CTL** - ConTech  
**HTL** - Halo  
**LTL** - Lightolier  
**PTL** - Capri

**1638**

**B** - Black  
**P** - White

1. Juno is a registered trademark of Juno Lighting  
2. Halo is a registered trademark of Cooper Lighting  
3. Lightolier is a registered trademark of Philips Lighting  
4. Capri is a registered trademark of Philips Lighting