

CTL130

PAR30LN Flat Back Cylinder Line Voltage Track Fixture

Specifications/Features

Fixture

Modern flat back design presents a crisp, high-tech silhouette. Deep set, black baffle provides lamp concealment for visual comfort. Integral ON/OFF switch and track polarity indicator are standard. Precise, rigid aiming. Full 350° rotation. Slender stem mount conceals wiring. Fixture will accept (1) LF30 lens or (1) LA-38 egg crate louver by using the BD30 barn doors or the FA-30 accessory holder.

Lamp

(1) 100W A19, 75W PAR30* or 65W BR30* (max), E26 Medium Base. Long neck PAR30 or BR30 lamps are recommended.

Warranty

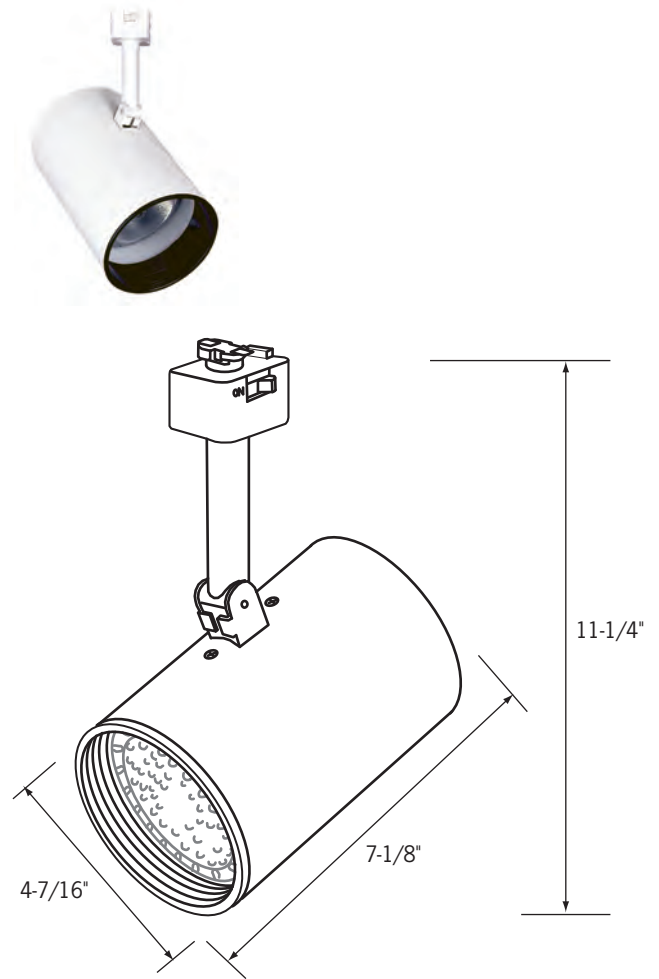
This fixture is covered by ConTech's full one (1) year replacement guarantee after date of purchase.

Listing

cCSAus listed. Suitable for dry locations.

Fixture Compatibility

Standard ConTech track fixtures are cCSAus certified as-is for use with ConTech's many track systems, as well as with Juno^{®1} Lighting track. By changing the prefix in the part number, ConTech can install inserts which make our fixtures compatible with other manufacturers. Replace "CTL" with "HTL" for Halo^{®2} track, "LTL" for Lightolier^{®3} track, and "PTL" for Capri^{®4} track. For more information, please consult our factory.



Ordering Information

Example Order: —

Track System	Fixture	Finish	Accessory Holder	Accessories
<input type="text"/>	<input type="text"/>	<input type="text"/>	<input type="text"/>	<input type="text"/>
CTL - ConTech HTL - Halo LTL - Lightolier PTL - Capri	130	B - Black P - White	FA-30-(B, P, S)	LF30 - A, B, CL, G, LB, R, RO, Y, 73, LS, SL, UV 3-3/4" Dia. tempered glass lenses LA-38-(B,P,S) - Egg-Crate Louver BD30 - Black Barn Doors

Color/Pattern Legend
-A (Amber), **-B** (Blue), **-CL** (Clear), **-G** (Green), **-LB** (Light Blue), **-R** (Red), **-RO** (Rose), **-Y** (Yellow), **-73** (Spread Lens), **-LS** (Linear Spread Lens), **-SL** (Soft Light), **-UV** (Optivex UV Filter)

1. Juno is a registered trademark of Juno Lighting
 2. Halo is a registered trademark of Cooper Lighting
 3. Lightolier is a registered trademark of Philips Lighting
 4. Capri is a registered trademark of Philips Lighting