

# CTL116

## Low Voltage Flat Back Cylinder

### Specifications/Features

#### Fixture

Designed for MR16 halogen lamps and is ideal for residential, commercial, and retail lighting applications.

Die-cast full cutoff baffle conceals lamp for visual comfort.

This fixture features a rugged yoke for balanced fixture adjustment and full 350° rotation.

All styles are equipped with a convenient on/off switch and polarity indicator. Must be used with track-mounted transformer LA2050N. For Mono-point use LA1816.

#### Lamp/Electrical

(1) 50W MR16 Lamp (max) 12V.

May be used with a LVD300E Dimming Control.

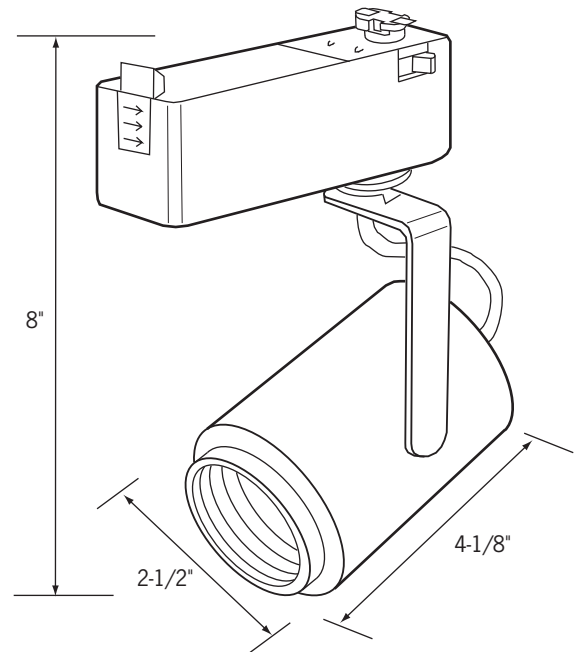
On fixtures designed for use with MR16 lamps, ConTech Lighting provides a clear, tempered safety glass. This safety glass should only be used with open MR16 lamps, and not used with MR16 lamps that contain an integral glass lens. This safety glass should be removed if use of MR16 with front glass is required.

#### Warranty

This fixture is covered by ConTech's full one (1) year replacement guarantee after date of purchase.

#### Listing

cULus listed. Suitable for dry locations.



### Ordering Information

Example Order:  -

| Fixture                             | Finish   | 50W Transformer  | Accessories   |
|-------------------------------------|--|--|---|
| <input type="text" value="CTL116"/> | <input type="text" value="B - Black&lt;br/&gt;P - White"/> | <input type="text" value="LA2050N-B - Black&lt;br/&gt;LA2050N-P - White"/> | <input glass="" lenses<br="" tempered="" type="text" value="LF16 - A, B, CL, G, LB, R, RO, Y,&lt;br/&gt;73, LS, SL, UV&lt;br/&gt;2"/> BD16A - Barn Doors<br>FA-16 - Honeycomb Louver<br>LA-816 - Black Snoot<br>THS-16 - Thermal Heat Shield<br>Color/Pattern Legend<br>-A (Amber), -B (Blue), -CL (Clear), -LB (Light Blue),<br>-R (Red), -RO (Rose), -Y (Yellow), -73 (Spread Lens),<br>-LS (Linear Spread Lens), -SL (Soft Light),<br>-UV (Optivex UV Filter)"/> |