

# CTL1116

## LED Compatible Flat Back Cylinder Track Fixture

### Specifications/Features

#### Fixture

LED compatible MR16 track fixture.  
Ideal for residential, commercial, and retail lighting applications.  
Die-cast, full cutoff baffle conceals lamp for visual comfort.  
Rugged yoke for balanced fixture adjustment and full 350° rotation.  
Integral ON/OFF switch and track polarity indicator are standard.  
If LED lamp is used, the glass lens must be removed from fixture.

#### Lamp

(1) 50W MR16 Lamp or (1) MR16 LED Lamp, GU5.3 Base.  
This fixture can be used with a variety of MR16 LED lamps. However, with the variances in these lamps, ConTech Lighting can not be responsible, nor guarantee, that all MR16 LED lamps are universally compatible.  
On fixtures designed for use with MR16 lamps, ConTech Lighting provides a clear, tempered safety glass. This safety glass should only be used with open MR16 lamps, and not used with MR16 lamps that contain an integral glass lens. This safety glass should be removed if use of MR16 with front glass is required.

#### Electrical

Integral 120/12V 50W Magnetic Class H Transformer.

#### Warranty

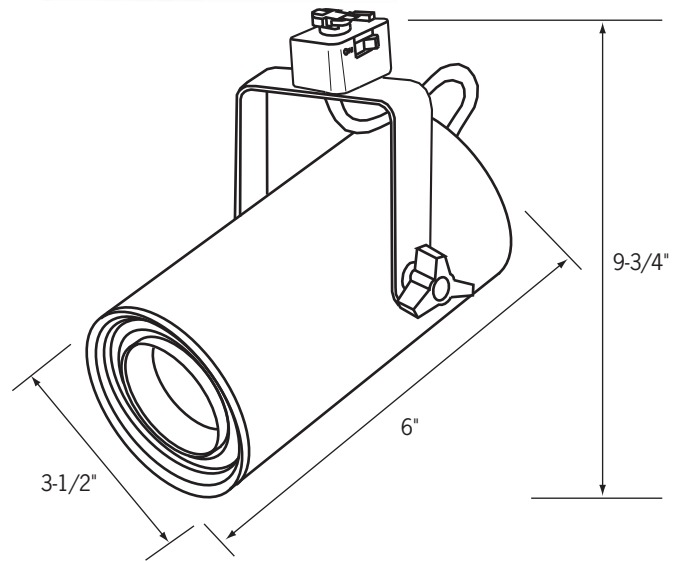
This fixture is covered by ConTech's full one (1) year replacement guarantee after date of purchase.

#### Listing

cCSAus Certified. Suitable for dry locations.

#### Fixture Compatibility

Standard ConTech track fixtures are cCSAus Certified as-is for use with ConTech's many track systems, as well as with Juno<sup>®1</sup> Lighting track. By changing the prefix in the part number, ConTech can install inserts which make our fixtures compatible with other manufacturers. Replace "CTL" with "HTL" for Halo<sup>®2</sup> track, "LTL" for Lightolier<sup>®3</sup> track, and "PTL" for Capri<sup>®4</sup> track. For more information, please consult our factory.



### Ordering Information

Example Order:  -

Track System

**CTL** - ConTech  
**HTL** - Halo  
**LTL** - Lightolier  
**PTL** - Capri

Fixture

**1116**

Finish

**B** - Black  
**P** - White

Accessories\*

**LF16** - **A, B, CL, G, LB, R, RO, Y, 73, LS, SL, UV**  
Tempered glass lenses

**FA-16** - Honeycomb Louver

**LA-816** - Black Snoot

Color/Pattern Legend

**-A** (Amber), **-B** (Blue), **-CL** (Clear), **-LB** (Light Blue),  
**-R** (Red), **-RO** (Rose), **-Y** (Yellow), **-73** (Spread Lens),  
**-LS** (Linear Spread Lens), **-SL** (Soft Light),  
**-UV** (Optivex UV Filter)

\*Do not use accessories with LED lamp.

1. Juno is a registered trademark of Juno Lighting  
2. Halo is a registered trademark of Cooper Lighting  
3. Lightolier is a registered trademark of Philips Lighting  
4. Capri is a registered trademark of Philips Lighting