

CTL1016

Low Voltage Flat Back Cylinder

Specifications/Features

Fixture

Compact fixture utilizes MR16 lamps for exceptional color, efficiency, and beam control.
 Built-in Solid State 120V-12V transformer concealed in the fixture yoke.
 The "Sure-Set" yoke design firmly holds any aiming position without unsightly knobs and provides 350° rotation.
 Deep set die-cast black baffle provides full cut-off.
 Integral on/off switch and track polarity indicator are standard.
 Will accept one LF16 lens.
 On fixtures designed for use with MR16 lamps, ConTech Lighting provides a clear, tempered safety glass. This safety glass should only be used with open MR16 lamps, and not used with MR16 lamps that contain an integral glass lens. This safety glass should be removed if use of MR16 with front glass is required.

Lamp/Electrical

Max. Lamp: (1) 50W MR16 12V, GU5.3 Base
 Transformer is RFI shielded to FCC standards.

Warranty

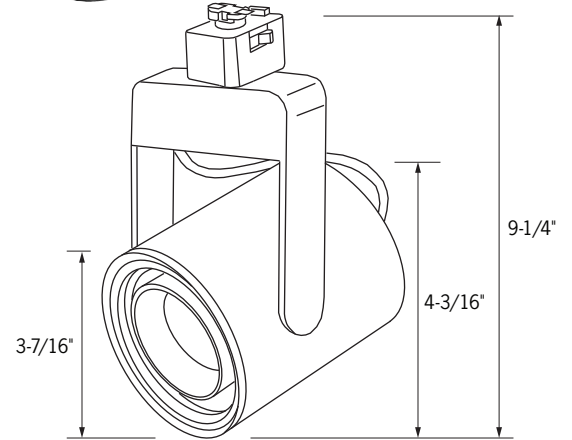
This fixture is covered by ConTech's full one (1) year replacement guarantee after date of purchase.

Listing

cCSAus Certified. Suitable for dry locations.

Fixture Compatibility

Standard ConTech track fixtures are cCSAus certified as-is for use with CTL Units are compatible with ConTech Lighting LT/LT2 Single Circuit/Two Circuit Track Systems and Luxbeam Track Systems, as well as Juno® Lighting Trac-Master™ Systems.
 By changing the prefix in the part number, ConTech can install inserts which make our fixtures compatible with other manufacturers. Replace "CTL" with HTL for use with Halo² Power-Trac and Lazer Track Systems, LTL for use with Lightolier³ Lytespan® Systems



Ordering Information

Example Order: -

Track System	Fixture	Finish
<input type="text"/>	<input type="text"/>	<input type="text"/>

CTL - ConTech
HTL - Halo
LTL - Lightolier

1016

B - Black

Accessories

LF16 - **A, B, CL, G, LB, R, RO, Y, 73, LS, SL, UV**
 Tempered glass lenses

FA-16 - Honeycomb Louver

LA-816 - Black Snoot

Color/Pattern Legend

-A (Amber), **-B** (Blue), **-CL** (Clear), **-LB** (Light Blue),
-R (Red), **-RO** (Rose), **-Y** (Yellow), **-73** (Spread Lens),
-LS (Linear Spread Lens), **-SL** (Soft Light),
-UV (Optivex UV Filter)

1. Juno is a registered trademark of Juno Lighting
 2. Halo is a registered trademark of Cooper Lighting
 3. Lightolier is a registered trademark of Philips Lighting