

**BOTTOM GLASS INTALLATION:**

After unpacking the 8" LED Decorative Stemlight, attach the bottom glass to the fixture. Unpack the floating glass and attach to the bottom of the frame using the (4) floating ring attachment mechanisms: slide the spacer over the tab of the center collar Philip head screws and attach the glass. Lock the glass in place with the (4) knurled nuts. (Figure 1)

**CANOPY INSTALLATION:**

Prior to installation, ensure a 4" Round or Square (with a Round-to-Square Junction Box Cover Plate) Junction Box is properly mounted to the ceiling structure.

Loosen the (2) Philips screws that hold the Top Mounting Plate to the round canopy. Attach the top mounting plate to the junction box or junction box cover.

Connect the primary leads from the junction box to the primary leads of the LED Driver (Black-to-Black, White-to-White) on the LED Driver Supply side. Connect the Green to the Ground wire within the top mounting canopy.

Carefully tuck excess wires and connectors in Junction Box while positioning the driver in the top mounting plate, secure by attaching the Driver Support Bracket. (Figure 2)

**FLEXIBLE CORD INSTALLATION:**

Determine the length of flexible cord required. If cutting is required, loosen the coiled 18-3 cable. Leave only 6-8" for wiring available.

Mark the cable where it needs to be cut. Carefully score the outer jacket around the diameter of the cable about 6-8" below the total length. Score the outer jacket lengthwise for that 6-8" section. Use proper rotary cable slitters such as Ideal #45-128 or Eclipse #200-009. Remove the outer jacket. Trim off the individual wire insulations by 1/2".

Install the internal two-piece cable strain relief. Tighten the (2) plastic straight blade screws in order to hold the cord to the ballast housing safely. (Figure 3)

**There should not be any excess flexible cord in the driver compartment/top mounting canopy.** Per UL1598 and NEC 300.14, "at least 150mm (6in.) of free conductors and less than 8 in., measure from the point in the box where it emerges from its raceway or cable sheath shall be left at each outlet, junction and switch point for splices or the connector of luminaires or devices".

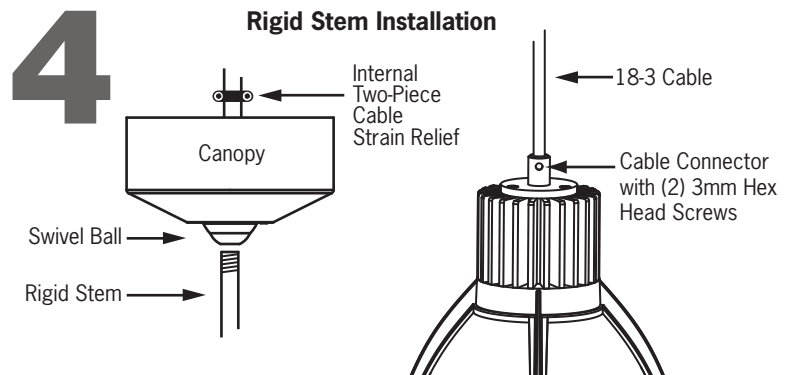
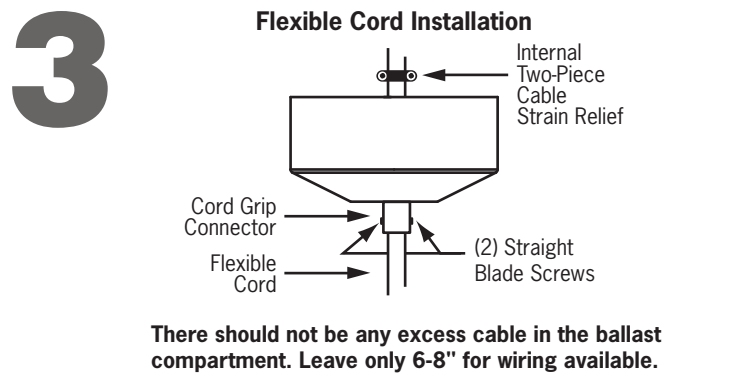
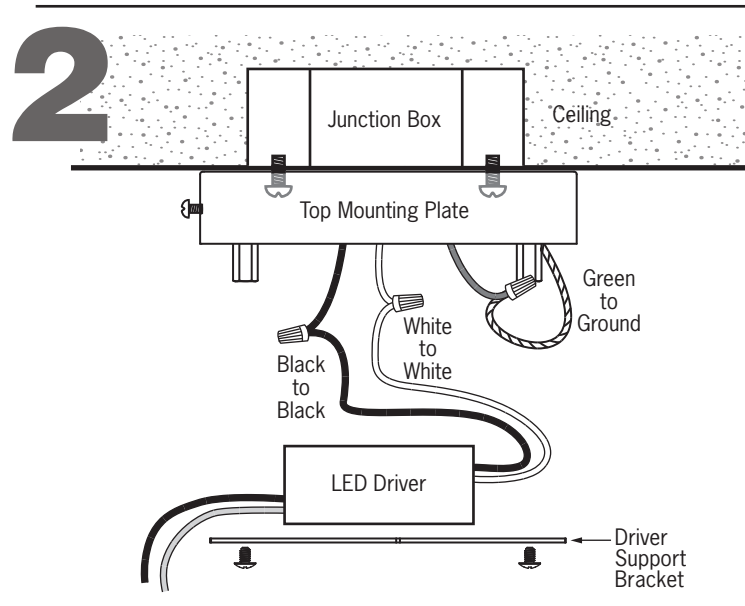
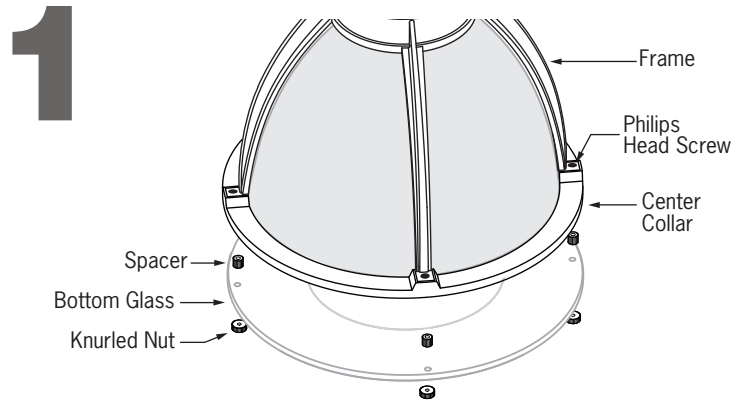
**RIGID STEM INSTALLATION:**

The Rigid Stem Canopy with swivel is designed for sloped ceiling applications. Determine the length of the stem with external couplings required.

Loosen the (2) 3.0mm steel hex head screws from the cable connector. Remove the inner grommet. Slide the stems over the flexible cord. Screw rigid stem into the cable connector and tighten the (2) 3.0mm steel hex head screws. (Figure 4) Add couplings to the stem (if required).

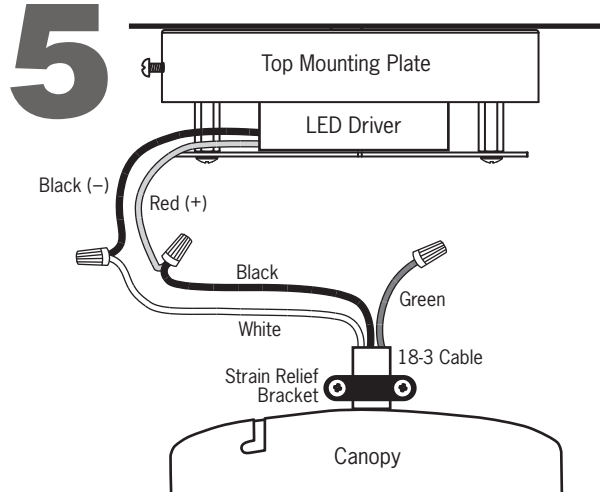
Determine the length of flexible cord required, and follow the Flexible Cord Installation Instructions for the balance of the installation.

Continued on Page 2



**LED DRIVER INSTALLATION:**

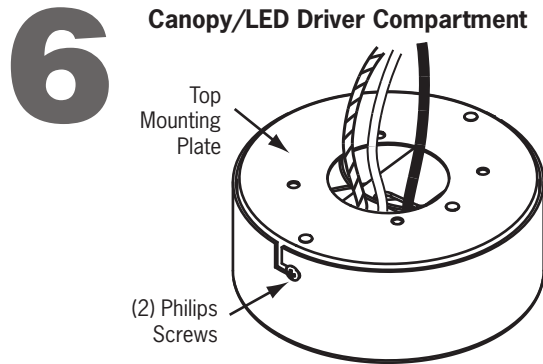
The white fixture lead gets connected to the black LED driver lead. The black fixture lead gets connected to the red LED driver lead. Cap off the green wire. (Figure 5)



**FIXTURE CANOPY INSTALLATION:**

Using the (2) Philips Head Screws, twist and lock the fixture canopy to the top mounting plate while carefully tucking wires out of the way. (Figure 6)

Tighten screws to ensure fixture assembly is safely attached to the Top Mounting Plate.



**There should not be any excess cable in the ballast compartment. Leave only 6-8" for wiring available.**

**IMPORTANT SAFETY INSTRUCTIONS:**

- Read all the instructions before installation. Save instructions for later use.
- Turn off power at fuse or circuit breaker box before installation of before doing any maintenance work.
- Wear rubber soled shoes and work should be done on a sturdy wooden or non-conductive ladder.
- Product must be mounted in locations and at heights in a manner consistent with its intended use, and in compliance with National Electrical Code and local building codes. For indoor use only.
- Product must be grounded to avoid potential electric shock and any other potential hazards.
- Do not exceed the nominal supply voltage or amperage ratings.
- Make sure all screws are properly tightened.
- Do not install any lamp holder closer than 6" from any curtain or similar combustible material.
- Use only fixtures and fittings intended for use with ConTech Decorative Stemlight Pendant systems.
- Installing contrary to instructions may cause unsafe conditions.
- Warning: Risk of fire. Most dwellings built before 1985 have supply wire rated at 60°C. Consult a qualified electrician before installation.
- Warning: Risk of burns. Lamps are extremely hot when lit. Allow lamps to cool down in temperature before handling.
- To avoid hazards to children, account for all parts and properly dispose of all packing materials.
- Call the Technical Support department at ConTech Lighting with any installation questions: 847-559-5500.