

# INSTALLATION INSTRUCTIONS | CRS8 Quick Release LED Pendant

**Note:** Before attempting installation please refer to your local electrical code.

## IMPORTANT SAFETY INSTRUCTIONS

- Read all the instructions before installation. Save instructions for later use.
- Turn off power at fuse or circuit breaker box before installation of before doing any maintenance work.
- Wear rubber soled shoes and work should be done on a sturdy wooden or non-conductive ladder.
- Product must be mounted in locations and at heights in a manner consistent with its intended use and in compliance with National Electrical Code and local building codes. For indoor use only.
- Product must be grounded to avoid potential electric shock and any other potential hazards.
- Do not exceed the nominal supply voltage or amperage ratings.
- Make sure all screws are properly tightened.
- Do not install any lamp holder closer than 6-inches from any curtain or similar combustible material.
- Use only fixtures and fittings intended for use with ConTech Decorative Pendant systems.
- Installing contrary to instructions may cause unsafe conditions.
- **WARNING:** Risk of fire. Most dwellings built before 1985 have supply wire rated at 60°C. Consult a qualified electrician before installation.
- **WARNING:** Risk of burns. Lamps are extremely hot when lit. Allow lamps to cool down in temperature before handling.
- To avoid hazards to children, account for all parts and properly dispose of all packing materials.
- Call the Technical Support department at ConTech Lighting with any installation questions: 847-559-5500.

## INSTALLATION |

### CRS8 PENDANT ADAPTERS



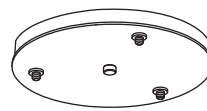
Decorative Ceiling Canopy:  
CRS8-DQRCD(1/2)



Thin Ceiling Canopy:  
CRS8-TQRCD(1/2)



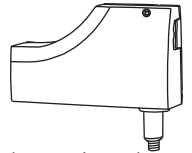
Ceiling Canopy:  
CRS8-QRCD(1/2)



Three Pendant Ceiling Canopy:  
CRS8-3QRCD(1/2)



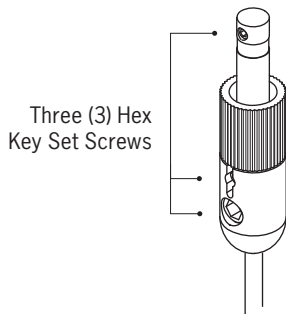
Line Voltage Track Adapter:  
CRS8-LVTQRD1



Odyssey Line Voltage Flexible Track Adapter:  
CRS8-ODYQRD1

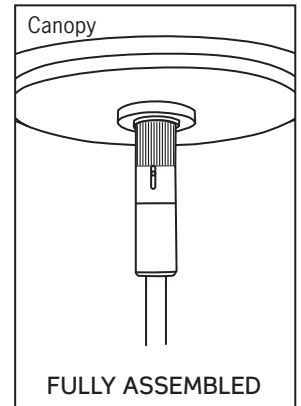
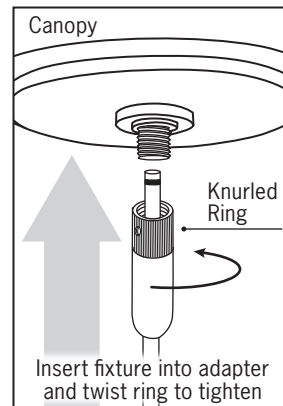
1. Select the appropriate Pendant Adapter (Ceiling Canopy or Track) for your lighting needs
2. Slide Shade over Pendant Assembly until seated properly on the Socket
3. Follow instructions included with Adapter for wiring and installation
4. Using included Hex Keys, make sure the three (3) Set Screws on the Quick Disconnect Plug are secure and tight
5. Insert Quick Disconnect Plug from Pendant into the selected Adapter, twist knurled ring to tighten

### CRS8 QUICK DISCONNECT PLUG



**NOTE:** Make sure **ALL** Set Screws are secure and tight **BEFORE** hanging Pendant

### CRS8 PENDANT/ADAPTER ASSEMBLY

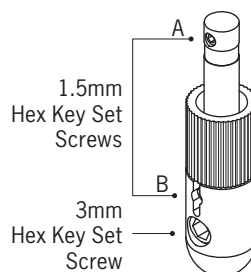


## INSTALLATION INSTRUCTIONS | CRS8 Quick Release LED Pendant

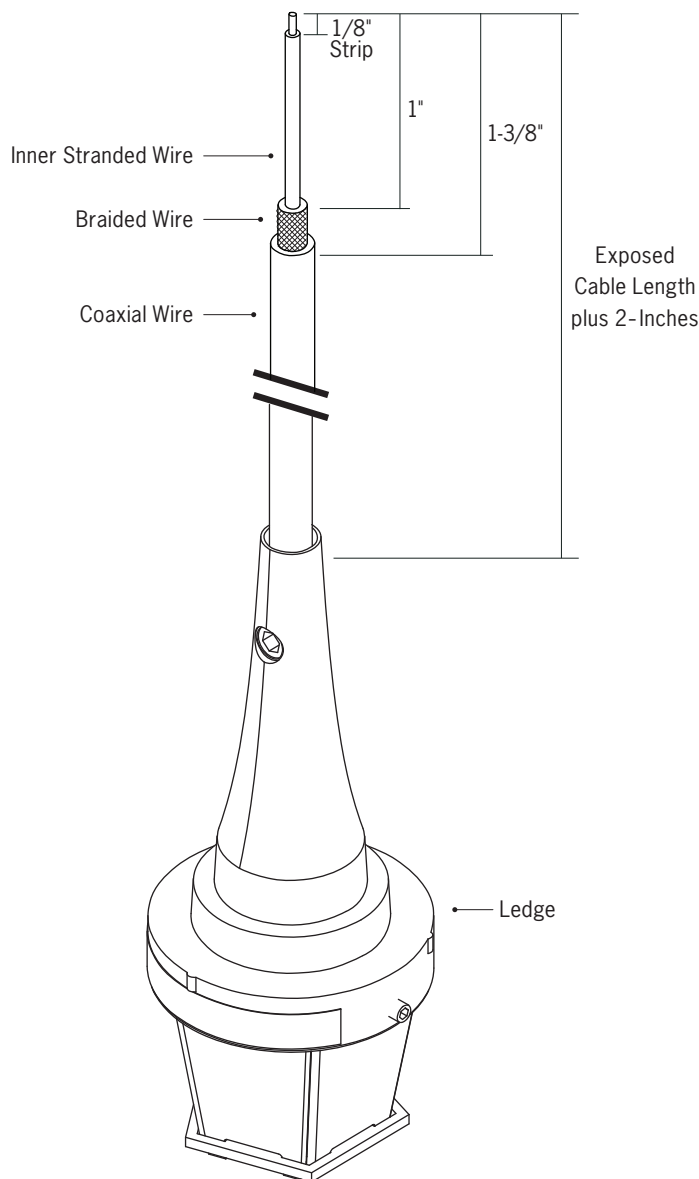
**Note:** Before attempting installation please refer to your local electrical code.

### INSTALLATION | Shortening Pendant Cord Length

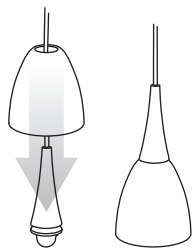
1. Determine desired exposed cord length, e.g. 48-inches
2. Add 2-inches to desired exposed wire length, e.g. 50-inches, and mark cord
3. Cut Cord at mark
4. Remove Quick Disconnect Plug from excess remaining Cord by removing 1.5mm Hex Key Set Screw (A) and the 3mm Hex Key Set Screw
5. **DO NOT** remove 1.5mm Set Screw (B)
6. The Quick Disconnect Plug may now be separated from the cord
7. Strip 1-3/8-inches of insulation only from Cord, leaving the Braided Wire in place
8. Remove only 1-inch of Braided Wire, leaving behind 3/8-inch of the Braided Wire exposed
9. Strip the inner Stranded Wire 1/8-inch
10. Fold back the Braided Wire over the Coaxial Wire Jacket, place stripped wire end into the Quick Disconnect Plug
11. Push the wire all the way in until the stripped inner stranded wire is visible through the 1.5mm screw hole opening (A) in the tip of the Plug, and the Cord Jacket is visible in the 3mm screw hole
12. Rotate the wire so that the braid is visible
13. **NOTE:** The Cord Braid and Jacket under it must be visible in the 3mm screw hole to ensure a properly secured Pendant
14. With wire in place, fasten 3mm Hex Key Set Screw until tight and Cord is secure
15. Confirm stripped inner Stranded Wire is still visible in the 1.5mm screw hole opening (A), and then fasten 1.5mm Hex Key Set Screw in opening in Plug tip
16. Make sure **ALL** Set Screws are secure and tight
17. Install shade onto Pendant Assembly
18. Insert Quick Disconnect Plug from Pendant into the Adapter and twist knurled ring to tighten



**NOTE:** Make sure **ALL** Set Screws are secure and tight **BEFORE** hanging Pendant



### INSTALLATION | Shade Assembly



Gravity Fit Assembly

1. Gravity Fit Pendants capture the Shade by holding the glass from below on a ledge
2. The Shade slides over the Cable and sits on the ledge
3. Seat Shade on the Pendant before attaching to the Adapter