



 **SPEEDSHIP**

*Select SKUs  
Shipped within 48-Hours*





**SpeedShip** provides leading delivery service to match today's fast-paced construction environment. Products identified as **SpeedShip** are in-stock and ready to ship within 48 hours or less.

## Matching Great Solutions with Great Service

### PROGRAM DETAILS

- **NO SURCHARGE**

- **FREIGHT TERMS:**

All shipments are F.O.B. Seller's (Northbrook, IL). Full freight is allowed on orders shipped within the continental U.S. totaling \$3,000.00 or more.

- **DOMESTIC ORDERS ONLY**

- **TERMS & CONDITIONS**

- **SpeedShip** items are limited to SKUs within the program
- Maximum order quantity of 100 units per SKU
- Consult factory for orders over 100 units
- Products on mixed PO will ship within the longest lead time SKU on order
- Order typos, errors or credit holds will disqualify a PO from **SpeedShip** program lead times
- Normal Shipping Terms & Conditions apply
- Standard Terms of Sale apply to all orders



# Eclipse Curve

## LED Track Luminaires



Flat-back Cylinder Luminaires designed to provide uniformity in form and function. Versatile and flexible; excellent for highlighting merchandise in retail applications.

- Constructed of extruded and machined aluminum
- Heatsink and Integrated Driver Housing
- Molded TIR optic has been optically engineered to provide a smooth uniform beam
- Precision aiming adjustment: 315° aiming horizontal rotation, 90° vertical rotation
- Forward Phase (Incandescent) Dimming is standard
- cETLus Listed to UL and CSA Standards
- Suitable for Dry Locations only
- ENERGY STAR® Certified, DLC® Listed
- Can be used to comply with the 2019 Title 24 Part 6 JA8 High Efficacy LED Light Source Requirements



cETLus  
Listed to UL  
and CSA  
Standards



ENERGY  
STAR®  
Certified



2019 Title 24  
Part 6 JA8  
Compliant



Five Year  
Warranty



### 7W Eclipse Curve LED Track Luminaires

PART NUMBER	WATTAGE/LM	BEAM	COLOR TEMP	CRI	FINISH
CTL9050F3CD-B	7W/651Lm	FLOOD	3000K	90+	BLACK
CTL9050F3CD-P	7W/651Lm	FLOOD	3000K	90+	WHITE



### 14W Eclipse Curve LED Track Luminaires

PART NUMBER	WATTAGE/LM	BEAM	COLOR TEMP	CRI	FINISH
CTL9052F3CD-B	14W/1462Lm	FLOOD	3000K	90+	BLACK
CTL9052F3CD-P	14W/1462Lm	FLOOD	3000K	90+	WHITE



### 20W Eclipse Curve LED Track Luminaires

PART NUMBER	WATTAGE/LM	BEAM	COLOR TEMP	CRI	FINISH
CTL9053F3CD-B	20W/2123Lm	FLOOD	3000K	90+	BLACK
CTL9053F3CD-P	20W/2123Lm	FLOOD	3000K	90+	WHITE

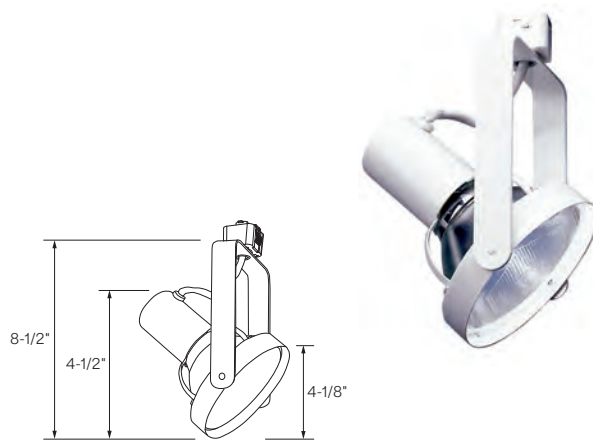
# Gimbal Economy Track Luminaires

## CTL2830 & CTL2838

PAR30S and PAR38 Front Re-lamping Gimbal Line Voltage Track Luminaires that can accept Incandescent or the equivalent LED lamps. An economical alternative to provide a lighting solution for those on a strict budget.

### CTL2830 PAR30S Luminaire

- Two-plane Gimbal design
- Sure-Set yoke to hold luminaire firmly in place
- 360° Horizontal swivel and 150° vertical adjustment
- Can accept one (1) LF30 Lens or one (1) LA-38 Louver using FA-28 Black Accessory Mounting Clips
- cCSAus Certified
- Suitable for dry locations
- Lamp not included



cCSAus  
Certified



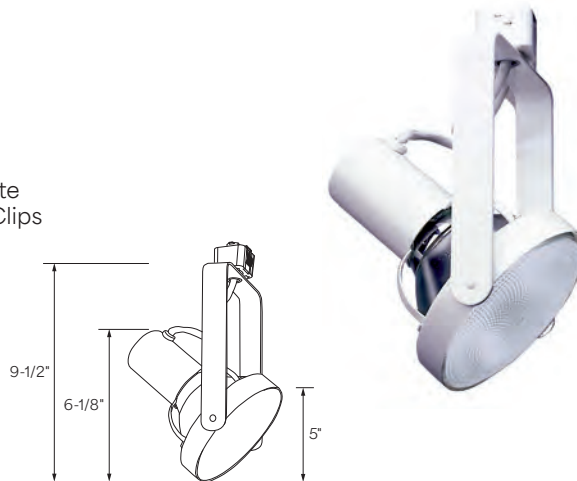
One Year  
Warranty

### CTL2830 PAR30S Gimbal

PART NUMBER	MAX LAMP	DIMMING	FINISH
CTL2830-B	120V 75W PAR30 SHORTNECK LAMP, E26 MEDIUM SKIRTED BASE	FORWARD PHASE (INCANDESCENT)	BLACK
CTL2830-P	120V 75W PAR30 SHORTNECK LAMP, E26 MEDIUM SKIRTED BASE	FORWARD PHASE (INCANDESCENT)	WHITE

### CTL2838N PAR38 Luminaire

- Two-plane Gimbal design
- Sure-Set yoke to hold luminaire firmly in place
- 360° Horizontal swivel and 180° vertical adjustment
- Can accept one (1) LF40 lens or one (1) LA-39 Egg Crate Louver by using FA-2838 Black Accessory Mounting Clips
- cCSAus Certified
- Suitable for dry locations
- Lamp not included



cCSAus  
Certified



One Year  
Warranty

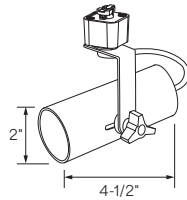
### CTL2838N PAR38 Gimbal

PART NUMBER	MAX LAMP	DIMMING	FINISH
CTL2838N-B	120V 250W PAR38 LAMP, E26 MEDIUM SKIRTED BASE	FORWARD PHASE (INCANDESCENT)	BLACK
CTL2838N-P	120V 250W PAR38 LAMP, E26 MEDIUM SKIRTED BASE	FORWARD PHASE (INCANDESCENT)	WHITE

# Universal Economy Lampholders

CTL601 & CTL603

Universal Economy Line Voltage Lampholders can accept Incandescent or LED lamps. Both can be fitted with a variety of lamp sizes and wattages. An economical alternative to provide a lighting solution for those on a strict budget.



cSAus  
Certified



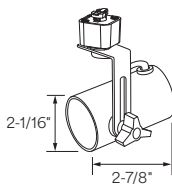
One Year  
Warranty

## CTL601

- Adjustable socket for proper seating of various lamps
- Unobtrusive half yoke design
- Precise, rigid, Sure-Set aiming, full 350° rotation
- cSAus Certified
- Suitable for dry locations
- Lamp not included

### CTL601 Universal Lampholder

PART NUMBER	MAX LAMP	DIMMING	FINISH
CTL601-B	120V 50W PAR20, 75W PAR16, 75W PAR30 (Short or Long Neck) or 250W PAR38 LAMP, E26 MEDIUM SKIRTED BASE	FORWARD PHASE (INCANDESCENT)	BLACK



cSAus  
Certified



One Year  
Warranty

## CTL603

- Vertical slide adjustment slot creates numerous luminaire heights
- Precise, rigid, Sure-Set aiming, full 350° rotation
- Half-yoke mounting design minimizes luminaire presence
- cSAus Certified
- Suitable for dry locations
- Lamp not included

### CTL603 Side Swivel Universal Lampholder

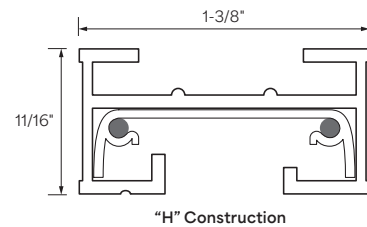
PART NUMBER	MAX LAMP	DIMMING	FINISH
CTL603-P	120V 50W PAR20, 75W PAR16, 75W PAR30 or 250W PAR38 LAMP, E26 MEDIUM SKIRTED BASE	FORWARD PHASE (INCANDESCENT)	WHITE

# Single Circuit Track & Accessories

## LT & LA-1 Series

With an extensive selection of Track Lengths and Accessories, ConTech Track fits into virtually any lighting design. A myriad of configurations are possible with these 20 amp rated Track Sections and Connectors.

- 120V/20A Rated Commercial Grade Track Sections
- Strong “H” construction
- Solid Copper Conductors with Noryl® Insulators in heavy 14 gauge Extruded Aluminum Channels
- Mechanical Polarity using Visual Indicator simplifies installation and mounting of luminaires while assuring proper electrical connections
- Toggle Bolts are supplied for simple surface installation; 4 and 6 foot sections supplied with two (2) toggle bolts; 8 and 12 foot sections supplied with three (3) toggle bolts
- Nominal length Track Sections can be cut in the field for exact fit
- All Track Sections are supplied with two (2) insulated End Caps; replacement End Caps may be ordered separately
- cULus Listed
- Suitable for Dry Locations only
- Declare Labeled for use with the Living Building Challenge



cULus  
Listed

Declare.™

Declare  
Labeled



One Year  
Warranty

## 120V Single Circuit Track

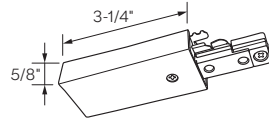
PART NUMBER	TRACK LENGTH	FINISH
LT-4-B	4 FEET (48-INCHES) ; 44-1/8-INCHES ACTUAL LENGTH	BLACK
LT-4-P	4 FEET (48-INCHES) ; 44-1/8-INCHES ACTUAL LENGTH	WHITE
LT-6-B	6 FEET (72-INCHES); 68-1/8-INCHES ACTUAL LENGTH	BLACK
LT-6-P	6 FEET (72-INCHES); 68-1/8-INCHES ACTUAL LENGTH	WHITE
LT-8-B	8 FEET (96-INCHES); 92-1/8-INCHES ACTUAL LENGTH	BLACK
LT-8-P	8 FEET (96-INCHES); 92-1/8-INCHES ACTUAL LENGTH	WHITE
LT-12-B	12 FEET (144-INCHES); 140-1/8-INCHES ACTUAL LENGTH	BLACK
LT-12-P	12 FEET (144-INCHES); 140-1/8-INCHES ACTUAL LENGTH	WHITE



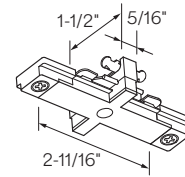


### LA-10 Top Access End Feed

One (1) 1/2-inch top knock-out for standard electrical conduit. May be used as a Feed Point.

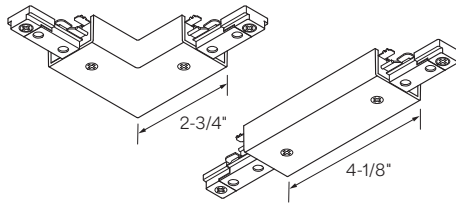


### LA-2 End-to-End Conductive Mini-Connector



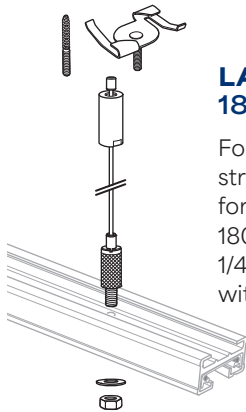
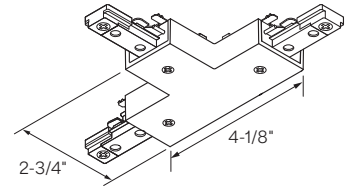
### LA-12 3-Way Joiner

Use as Standard or Reverse Polarity "L" Connector. Includes optional Straight Cover. May be used as a Power Feed.



### LA-13 "T" Connector

Standard Polarity. May be used as a feed point.



### LAC-180 180-In. Steel Cable Mounting Kit

For installation into grid ceiling or ceiling structure. Includes Cable Coupler (threaded for 1/4-20 Stud), Cable Holder with Lock Nut, 180-inches of 1/16-inch Galvanized Cable, 1/4-20 Hanger Bolt and T-Bar Mounting Clip with 1/4-20 stud. 150 Lb Load test capacity.

## 120V Single Circuit Track Accessories

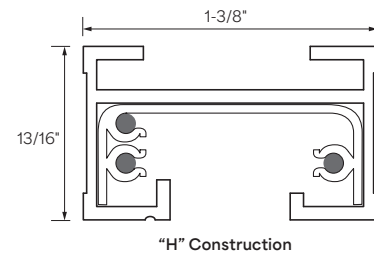
PART NUMBER	TRACK LENGTH	FINISH
LA-10-B	TOP ACCESS END FEED	BLACK
LA-10-P	TOP ACCESS END FEED	WHITE
LA-2-B	END-TO-END CONDUCTIVE MINI-CONNECTOR	BLACK
LA-2-P	END-TO-END CONDUCTIVE MINI-CONNECTOR	WHITE
LA-12-B	3-WAY JOINER	BLACK
LA-12-P	3-WAY JOINER	WHITE
LA-13-B	STANDARD POLARITY "T" CONNECTOR	BLACK
LA-13-P	STANDARD POLARITY "T" CONNECTOR	WHITE
LAC-180-B	180-INCH AIRCRAFT CABLE SUSPENSION KIT	N/A

# Two-Circuit Track & Accessories

## LT-2 & LA-2 Series

Split lighting loads over one run of track for higher wattage output per running foot of track. Change lighting effects by simply applying luminaires to desired circuits and utilize separate switching.

- 120V/40A (20A per circuit) Rated commercial grade track sections
- Each section of track contains two (2) hot (120V) conductors, plus a common neutral conductor; all ConTech track luminaires have two (2) position contacts to access either circuit
- Strong “H” construction
- Solid Copper Conductors with Noryl® Insulators in heavy 14 gauge Extruded Aluminum Channels
- Mechanical Polarity using Visual Indicator simplifies installation and mounting of luminaires while assuring proper electrical connections
- Toggle Bolts are supplied for simple surface installation; 4 and 6 foot sections supplied with two (2) toggle bolts; 8 and 12 foot sections supplied with three (3) toggle bolts
- Nominal length Track Sections can be cut in the field for exact fit
- All Track Sections are supplied with two (2) insulated End Caps; replacement End Caps may be ordered separately
- cULus Listed
- Suitable for Dry Locations only



cULus  
Listed



One Year  
Warranty

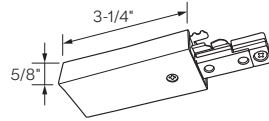
### 120V Two-Circuit Track

PART NUMBER	TRACK LENGTH	FINISH
LT-24-P	4 FEET (48-INCHES) ; 44-1/8-INCHES ACTUAL LENGTH	WHITE
LT-26-P	6 FEET (72-INCHES); 68-1/8-INCHES ACTUAL LENGTH	WHITE
LT-28-P	8 FEET (96-INCHES); 92-1/8-INCHES ACTUAL LENGTH	WHITE

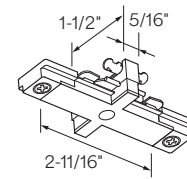


### LA-210 Top Access End Feed

One (1) 1/2-inch top knock-out for standard electrical conduit. May be used as a Feed Point.

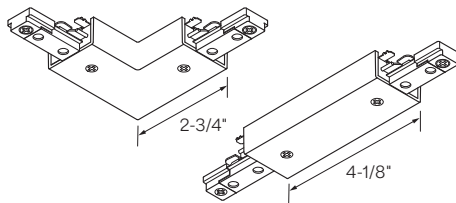


### LA-202 End-to-End Conductive Mini-Connector



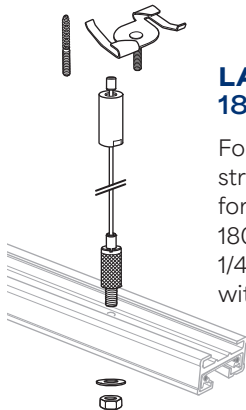
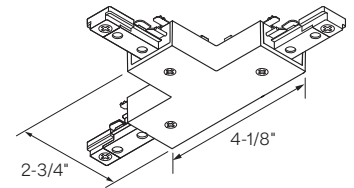
### LA-212 3-Way Joiner

Use as Standard or Reverse Polarity "L" Connector. Includes optional Straight Cover. May be used as a Power Feed.



### LA-213 "T" Connector

Standard Polarity. May be used as a feed point.



### LAC-180 180-In. Steel Cable Mounting Kit

For installation into grid ceiling or ceiling structure. Includes Cable Coupler (threaded for 1/4-20 Stud), Cable Holder with Lock Nut, 180-inches of 1/16-inch Galvanized Cable, 1/4-20 Hanger Bolt and T-Bar Mounting Clip with 1/4-20 stud. 150 Lb Load test capacity.

## 120V Two-Circuit Track Accessories

PART NUMBER	TRACK LENGTH	FINISH
LA-210-P	2-CIRCUIT TOP ACCESS END FEED	WHITE
LA-202-P	2-CIRCUIT END-TO-END CONDUCTIVE MINI-CONNECTOR	WHITE
LA-212-P	2-CIRCUIT 3-WAY JOINER	WHITE
LA-213-P	2-CIRCUIT STANDARD POLARITY "T" CONNECTOR	WHITE
LAC-180-B	180-INCH AIRCRAFT CABLE SUSPENSION KIT	N/A



# 2-Inch Round Downlight

## R2 Series



cSAus  
Certified



ENERGY  
STAR®  
Certified



Chicago  
Plenum  
CCEA  
Listed



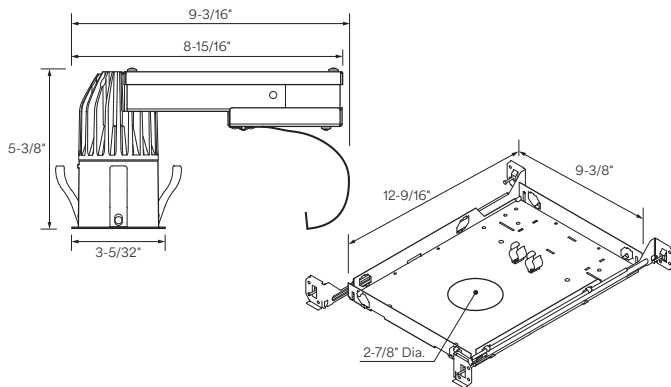
Conforms to  
Washington  
State Energy  
Code



Five Year  
Warranty

Specification Grade Non-Insulated Ceiling (Non-IC) StopAire™ Housing for Remodel and New Construction applications. Certain regions require the use of a Housing Mounting Frame in conjunction with the R2RM housing; the NCF1 New Construction Mounting Frame should be specified when required (ordered separately). Delivering more than 1009 lumens with a spacing criterion of 0.6, the R2RM maintains the visual comfort specifiers have come to expect from these diminutive downlights.

- Requires minimum 3-inch clearance around Housing from insulation material; Thermal Protection provided incase of improper insulation use
- Die-cast Aluminum Collar and Heat Sink; Driver Compartment and Junction Box made from 16-gauge steel
- Black painted finish Housing
- Three (3) Steel Friction Springs provide secure support in ceiling
- **Ceiling Opening:** 2-7/8-inches
- **Ceiling Thickness:** 1/2- to 1-inch
- **Minimum Plenum Clearance:** 6-inches
- Pre-wired Junction Box; convenient Screwdriver Pry-out and one (1) 1/2-inch Pry-out
- Duplex Electrical Connector simplifies daisy-chain wiring
- Output over voltage, over-current and short circuit protection
- 36° Flood beam distribution
- 2700K, 90+ CRI; excellent fixture to fixture color consistency within a 2-step MacAdam Ellipse tolerance
- Driver with Class 2 output, RoHS Compliant; fully accessible from below the ceiling
- Available for dimming and non-dimming applications
- Specification Grade Reflectors; Wet Location Certified without lensing



### R2RM New Construction and Remodel Housing

PART NUMBER	WATTAGE/LM	BEAM	COLOR TEMP	CRI	DIMMING
R2RM227KCMVDF	14W/1400Lm	36° FLOOD	2700K	90+	120/277V TRIAC/ELV/0-10V



CST2322L-PL



CST2322L-WHT

### R2RM Trim Options

PART NUMBER	DESCRIPTION
CST2322L-PL	ANODIZED PLATINUM SPECIFICATION GRADE REFLECTOR
CST2322L-WHT	MATTE WHITE PAINTED SPECIFICATION GRADE REFLECTOR

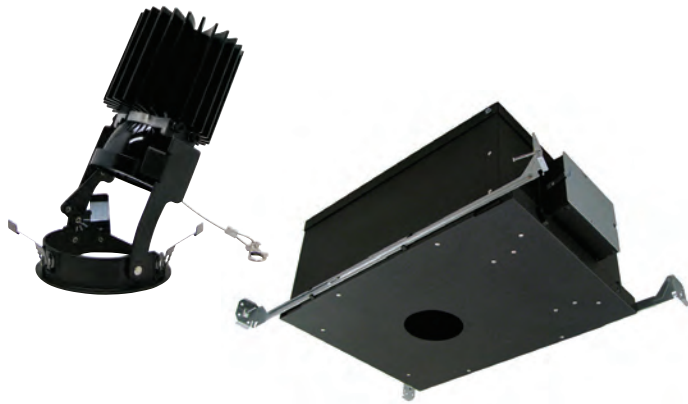
### R2RM New Construction Mounting Frame

PART NUMBER	DESCRIPTION
NCF1	OPTIONAL NEW CONSTRUCTION MOUNTING FRAME



# 2-Inch Round Adjustable Downlight

## R2A Series



cCSAus  
Certified



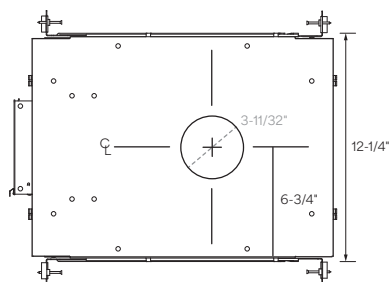
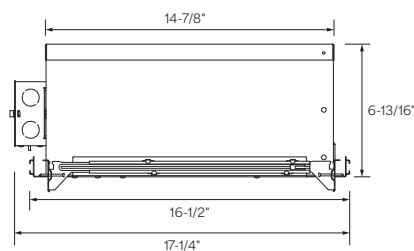
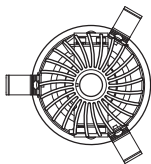
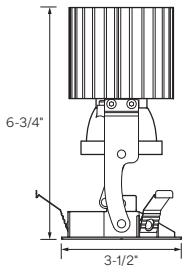
Chicago  
Plenum  
CCEA  
Listed



Conforms to  
Washington  
State Energy  
Code



Five Year  
Warranty



Housing rated for Insulated Ceiling (IC) and StopAire™ applications. Delivers more than 1218 lumens the R2ANC maintains the visual comfort specifiers have come to expect from these diminutive downlights Commercial and retail accent lighting

### HOUSING:

- 16-Gauge Galvanized Steel Housing is painted Matte Black inside and out
- For use in direct contact with insulation materials
- Removable cover for Driver access. Class 2 output, RoHS Compliant Driver is fully accessible from above or below the ceiling
- Spring Latch Tether to provide secondary support of the Universal LED Module
- Dual extension nailer bars for easy installation are adjustable for 16- and 24-inch center joists (14-1/4- to 24-1/2-inch). Nailer bars may be extended to rest on T-bar ceilings; optional clip-on T-bar Hangers available

### UNIVERSAL LED MODULE:

- Quick-connect Design for easy installation and removal of Universal LED Module
- Three (3) Steel Spring Supports secure Module into Housing/Ceiling
- Matte Black painted Module is constructed of 16-gauge Sheet Metal, an Aluminum Die-cast Heat-sink, an Acrylic TIR Optic and a Thermoplastic Optic Holder
- The Module Adjustment Mechanism features white graduation marks every 15° for consistent aiming and a Set Screw to lock the tilt adjustment in place
- Adjustability to 45° when installed in a 1/2- to 1-inch thick ceiling, to 30° in a 1-1/2-inch ceiling
- Using the optional FA-47 Accessory Holder Clip with two (2) Lenses/Louvers, Module adjusts to 45° in 3/4-inch thick ceiling; with optional Snoot, Module adjusts to 45° in 5/8" thick ceiling
- Output over voltage, over-current and short circuit protection
- Approved for through-circuit wiring. Max.: (8) 12 AWG (4in/4out)
- Pre-wired Junction Box with Knockouts and seven (7) 1/2-inch Concentric Knockouts
- **Ceiling Opening:** 3-1/4-inches
- **Ceiling Thickness:** 1/2- to 1-inch
- 26° Medium beam distribution
- 2700K, 90+ CRI; excellent fixture to fixture color consistency within a 2-step MacAdam Ellipse tolerance
- Available for dimming and non-dimming applications
- Specification Grade Reflectors; Wet Location Certified

## HOUSING + MODULE + TRIM = COMPLETE SYSTEM

### R2ANC New Construction Insulated Ceiling (IC) StopAire™ Housing

PART NUMBER	LED SERIES/LUMENS	DIMMING
R2ANC3MVD	21W/1700lm	120-277V TRIAC/ELV/0-10V

### R2ANC LED Module

PART NUMBER	COLOR TEMP	CRI	BEAM
UMOD27KCM	2700KC	90+	120-277V TRIAC/ELV/0-10V

### R2ANC Trim Options

**NOTE:** R2A series and R2RM series trims are not compatible with each other

PART NUMBER	DESCRIPTION
C2302-WHT*	SPECIFICATION GRADE WHITE FULL CONE REFLECTOR
C2304-PL	SPECIFICATION GRADE PLATINUM ANGLE CUT REFLECTOR
C2304-WHT	SPECIFICATION GRADE WHITE ANGLE CUT REFLECTOR

\* Wet location certified when used with an LF16 60MM Tempered Glass Lens



C2302-WHT



C2304-PL



C2304-WHT

# 4-Inch Round Downlight

## R4 Series



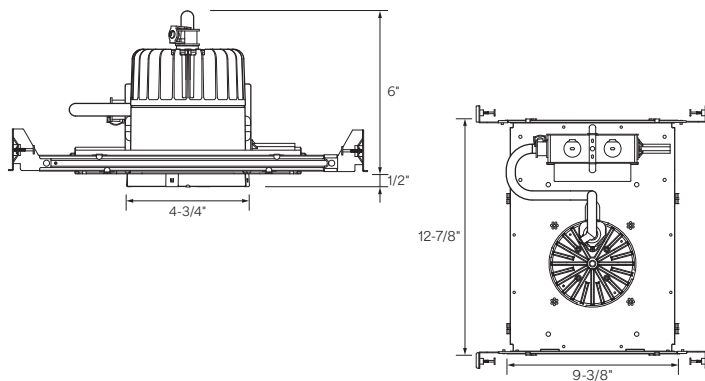
cCSAus  
Certified



ENERGY  
STAR®  
Certified



Five Year  
Warranty



Specification Grade 4-inch Round 16 Gauge Galvanized Steel New Construction Housing. Light engine consists of a high output multi-chip LED array arranged into a single LED package, enabling precise optical control without requiring lensing to diffuse multiple LED sources. Optically engineered to balance visual comfort while maintaining maximum output.

- Requires minimum 3-inch clearance around Housing from insulation material; Thermal Protection provided incase of improper insulation use
- Die-Cast Aluminum Heat Sink and Quick-connect Light Engine
- LED Drivers are fully accessible from below the ceiling and can be easily removed
- UL8750 and Class 2 Compliant; RoHS Compliant, US only
- Dual Nailer Hanger Bars are adjustable for 16- and 24-inch center joists (14-1/4- to 24-1/2- inch). Nailer Bars may be extended to rest on T-Bar ceilings; optional clip-on T-Bar Hangers available.
- **Ceiling Opening:** 4-7/8-inches  
**Ceiling Thickness:** 1/2- to 1-1/2-inch
- Pre-wired Junction Box with three (3) 1/2-inch convenient Screwdriver Pry-outs and one (1) 1/2-inch x 3/4-inch concentric Knockout
- Output over-voltage, over-current and short circuit protection
- Approved for Through Circuit Wiring: max. eight (8) 12 AWG (4in/4out), wiring rated to 90°C
- 2700K, 83 CRI; excellent fixture to fixture color consistency within a 3-step MacAdam Ellipse tolerance
- Available for dimming and non-dimming applications
- Specification Grade 51° Medium Beam Reflector

### R4NC New Construction Housing

PART NUMBER	WATTAGE/LM	ELECTRICAL	COLOR TEMP	CRI	DIMMING
R4NC327K12D	21W/2200lm	120V	2700K	83	TRIAC/ELV/0-10V



### R4NC Trim Option

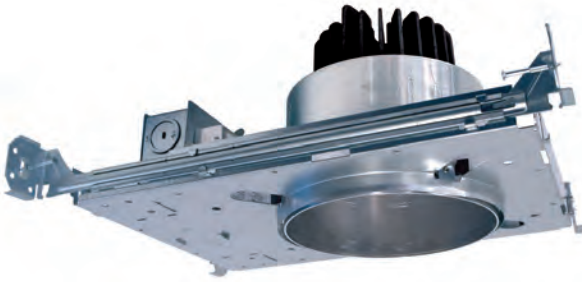
PART NUMBER	DESCRIPTION
C4322M-CLR*	51° Medium Beam Clear Specular Specification Grade Reflector

\*For Wet Location approved trim, add "-C" for Clear Lens or "-SL" for Sandblast Lens after finish code



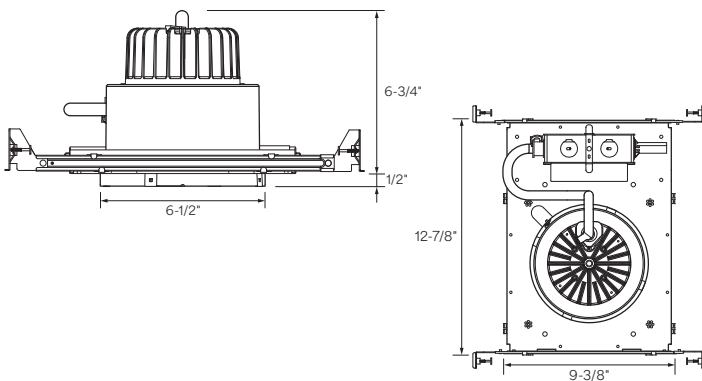
# 6-Inch Round Downlight

## R6 Series



Specification Grade 6-inch Round 16 Gauge Galvanized Steel New Construction Housing. Light engine consists of a high output multi-chip LED array arranged into a single LED package, enabling precise optical control without requiring lensing to diffuse multiple LED sources. Optically engineered to balance visual comfort while maintaining maximum output.

- Requires minimum 3-inch clearance around Housing from insulation material; Thermal Protection provided incase of improper insulation use
- Die-Cast Aluminum Heat Sink and Quick-connect Light Engine
- LED Drivers are fully accessible from below the ceiling and can be easily removed
- UL8750 and Class 2 Compliant; RoHS Compliant, US only
- Dual Nailers Hanger Bars are adjustable for 16- and 24-inch center joists (14-1/4- to 24-1/2- inch). Nailers may be extended to rest on T-Bar ceilings; optional clip-on T-Bar Hangers available.
- **Ceiling Opening:** 6-5/8-inches  
**Ceiling Thickness:** 1/2- to 2-inch
- Pre-wired Junction Box with convenient Screwdriver Pry-outs plus three (3) 1/2- inch Knockouts and one (1) 1/2-inch by 3/4-inch Concentric Knockout
- Output over-voltage, over-current and short circuit protection
- Approved for Through Circuit Wiring: max. eight (8) 12 AWG (4in/4out), wiring rated to 90°C
- 2700K, 83 CRI; excellent fixture to fixture color consistency within a 3-step MacAdam Ellipse tolerance
- Available for dimming and non-dimming applications
- Specification Grade 74° Wide Beam Reflector



### R6NC New Construction Housing

PART NUMBER	WATTAGE/LM	ELECTRICAL	COLOR TEMP	CRI	DIMMING
R6NC435K12D	30W/3000lm	120V	3500K	83	TRIAC/ELV/0-10V



### R6NC Trim Option

PART NUMBER	DESCRIPTION
C6322W-CLR*	74° Wide Beam Clear Specular Specification Grade Reflector

\*For Wet Location approved trim, add "-C" for Clear Lens or "-SL" for Sandblast Lens after finish code

## QUALITY

Quality is a part of every facet of our work; from component selection, design approach, process evaluation, design and manufacturing, testing, and packaging. ConTech Lighting is defined by its quality: it is important that our customers can trust our products to provide consistent and long service.

## SERVICE

Our experienced team stands ready to provide responsive and personalized support that you can trust. We understand the value of this and welcome you to lean on us Monday through Friday, 7:30am-5:30pm CST at 847.559.5500.

## MARKET EXPERTISE

Each project can bring its own unique challenges. Our sales professionals and in-house teams are ready to support you from concept to completion. We want you to not only value our products but the complete experience of working with ConTech.

## LIGHTING EXPERIENCE

Lighting is more than numbers on a specification sheet and changes are constantly developing. Visit one of our facilities to experience the power of illumination to make your space more productive, aesthetically pleasing and more energy efficient. Visit our corporate Inspiration Center in Northbrook, IL or one of our Leviton LIVE Centers in New Orleans, LA or Chicago, IL.

